



MBA

Actuator - Leadscrew - High Duty

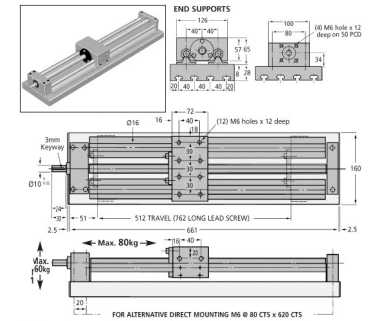
VHD Leadscrew: Teflon coated Stainless Steel.

Anti-Backlash Nut: Self-lubricating Polyacetal.

Base, Carriage & Rail Supports: Aluminium.

Shafts & Bearings: Hardened Steel.

Weight: 12kg.



Performance
 Weight: 12kg
 Screw Position Repeatability: 0.0013mm
 Lead Accuracy: 0.0008mm/mm
 Other Info:
 Anti-Backlash, Flexible Couplings available.

Actuator - Leadscrew - High Duty

| Part Number | Lead Travel per rev. of leadscrew | Travel max | Max Speed mm/s |
|---------------|-----------------------------------|------------|----------------|
| # LA12V-76202 | 2.5 | 512 | 100 |
| # LA12V-76205 | 5.0 | 512 | 100 |
| # LA12V-76210 | 10.0 | 512 | 100 |
| # LA12V-76215 | 15.0 | 512 | 250 |
| # LA12V-76219 | 19.0 | 512 | 250 |

Indicates item not stocked at time of printing - Please enquire for lead time

E&OE Pricing and all details subject to change without notice - Copyright Miniature Bearings Australia Pty Ltd

MBA Size Listings are a guide to sizes only and must not be solely relied on for critical design information.

Actuator - Leadscrew - High Duty

| Part Number | Lead Travel per rev. of leadscrew | Travel max | Max Speed mm/s |
|---------------|-----------------------------------|------------|----------------|
| # LA12V-76224 | 24.0 | 512 | 250 |
| # LA12V-76250 | 50.0 | 512 | 760 |



DISTRIBUTED BY

Ask us to put your name and address here

<http://www.minibearings.com.au/product>

Ph +61 7 3245 7977

Fax +61 7 3245 1017

Catalogue requests to catalogues@minibearings.com.au

