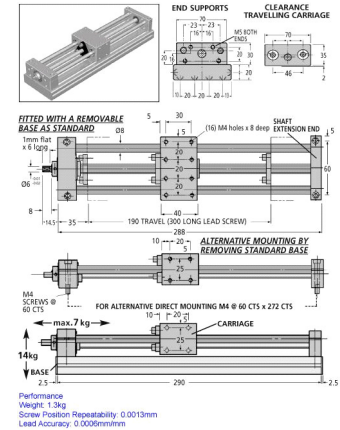




# MBA

## Actuator - Leadscrew - Light Duty

- ZBX Leadscrew: Teflon coated Stainless Steel.
- Anti-Backlash Nut: Self-lubricating Polyacetal.
- Base, Carriage & Rail Supports: Anodised Aluminium.
- Shafts & Bearings: Hardened Steel.
- Weight: 1.3kg.



## Actuator - Leadscrew - Light Duty

Part Number	Lead Travel per rev. of leadscrew	Travel max	Max Speed mm/s
# LA7-30002	2.0	190	100
# LA7-30003	3.0	190	100
# LA7-30005	5.0	190	100
# LA7-30006	6.0	190	100
# LA7-30010	10.0	190	100

# Indicates item not stocked at time of printing - Please enquire for lead time  
 E&OE Pricing and all details subject to change without notice - Copyright Miniature Bearings Australia Pty Ltd  
 MBA Size Listings are a guide to sizes only and must not be solely relied on for critical design information.

**Actuator - Leadscrew - Light Duty**

Part Number	Lead Travel per rev. of leadscrew	Travel max	Max Speed mm/s
# LA7-30012	12.0	190	250

# Indicates item not stocked at time of printing - Please enquire for lead time  
E&OE Pricing and all details subject to change without notice - Copyright Miniature Bearings Australia Pty Ltd  
MBA Size Listings are a guide to sizes only and must not be solely relied on for critical design information.



DISTRIBUTED BY

Ask us to put your name and address here

<http://www.minibearings.com.au/product>

Ph +61 7 3245 7977

Fax +61 7 3245 1017

Catalogue requests to [catalogues@minibearings.com.au](mailto:catalogues@minibearings.com.au)
