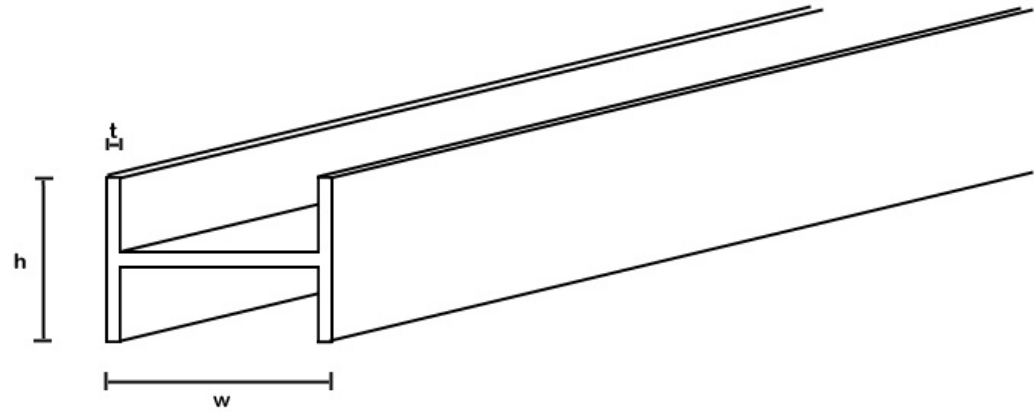




MBA

Bar - H Section - Brass



Bar - H Section - Brass

Part Number	Height (h) mm	Width (w) mm	Thickness (t) mm	Length mm
	<i>inches</i>	<i>inches</i>	<i>inches</i>	<i>inches</i>
HCOL-BR-03.175x300	3.175 <i>0.125</i>	3.175 <i>0.125</i>	0.508 <i>0.020</i>	300 <i>11.811</i>
HCOL-BR-01.588x300	1.588 <i>0.063</i>	1.588 <i>0.063</i>	0.381 <i>0.015</i>	300 <i>11.811</i>

Indicates item not stocked at time of printing - Please enquire for lead time

E&OE Pricing and all details subject to change without notice - Copyright Miniature Bearings Australia Pty Ltd

MBA Size Listings are a guide to sizes only and must not be solely relied on for critical design information.



DISTRIBUTED BY

Ask us to put your name and address here

<http://www.minibearings.com.au/product>

Ph +61 7 3245 7977

Fax +61 7 3245 1017

Catalogue requests to catalogues@minibearings.com.au
