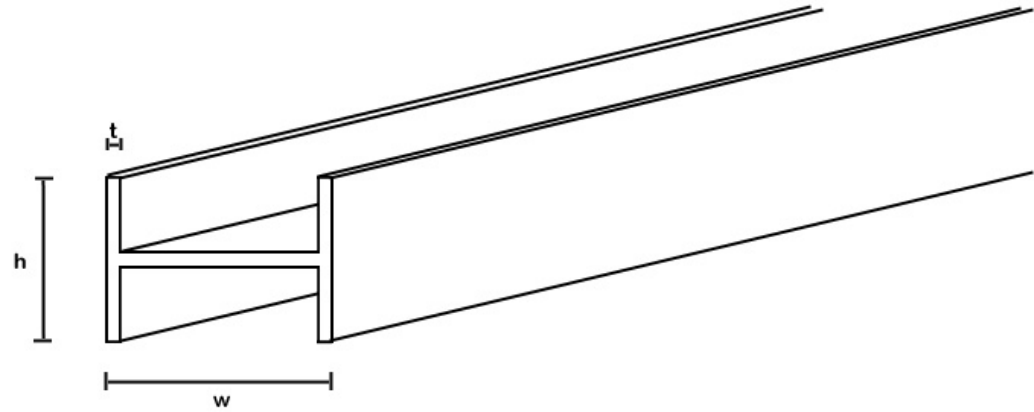


# MBA

## Bar - I Beam - Brass



### Bar - I Beam - Brass

Part Number	Height (h) mm	Width (w) mm	Thickness (t) mm	Length mm
	<i>inches</i>	<i>inches</i>	<i>inches</i>	<i>inches</i>
IBBR0159-0318x300	1.588 <i>0.063</i>	3.175 <i>0.125</i>	0.508 <i>0.020</i>	300 <i>11.811</i>
IBBR0238-0476x300	2.381 <i>0.094</i>	4.762 <i>0.187</i>	0.762 <i>0.030</i>	300 <i>11.811</i>

# Indicates item not stocked at time of printing - Please enquire for lead time

E&OE Pricing and all details subject to change without notice - Copyright Miniature Bearings Australia Pty Ltd

MBA Size Listings are a guide to sizes only and must not be solely relied on for critical design information.



DISTRIBUTED BY

Ask us to put your name and address here

<http://www.minibearings.com.au/product>

Ph +61 7 3245 7977

Fax +61 7 3245 1017

Catalogue requests to [catalogues@minibearings.com.au](mailto:catalogues@minibearings.com.au)
