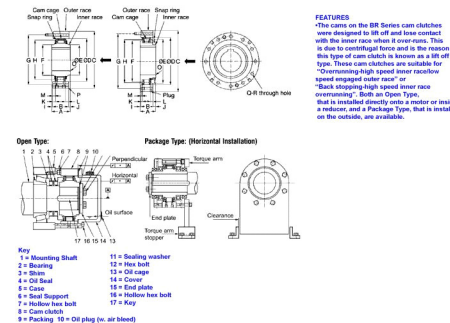




# MBA

## Bearings - One Way - Sprag - BR



Sprag clutch bearings allow your application to turn one way whilst locking in the opposite direction.

High carbon hardened steel alloy.

Always lock out power switch before installing, removing, lubricating or servicing a system that uses Cam Clutch products.

When connecting or disconnecting Cam Clutch products, eye protection is required.

<http://www.minibearings.com.au//categories/shafting/all/pics/>

## Bearings - One Way - Sprag - BR

Part Number	ID (d) mm <i>inches</i>	OD (C) mm <i>inches</i>	Width (A) mm <i>inches</i>	Overrun Limiting Speed (min) rpm	Overrun Limiting Speed (max) rpm	Keyway mm <i>inches</i>	Max Torque Nm	Max. Engagement speed rpm
# BR90	90.00 <i>3.543</i>	230.00 <i>9.055</i>	80.00 <i>3.150</i>	420.00	3000.00	25x5.4	8526.00	180.00
# BR100	100.00 <i>3.937</i>	270.00 <i>10.630</i>	90.00 <i>3.543</i>	460.00	2700.00	28x6.4	14210.00	200.00
# BR130	130.00 <i>5.118</i>	310.00 <i>12.205</i>	90.00 <i>3.543</i>	420.00	2400.00	32x7.4	20384.00	180.00

# Indicates item not stocked at time of printing - Please enquire for lead time  
 E&OE Pricing and all details subject to change without notice - Copyright Miniature Bearings Australia Pty Ltd  
 MBA Size Listings are a guide to sizes only and must not be solely relied on for critical design information.

## Bearings - One Way - Sprag - BR

Part Number	ID (d) mm	OD (C) mm	Width (A) mm	Overrun Limiting Speed (min) rpm	Overrun Limiting Speed (max) rpm	Keyway mm	Max Torque Nm	Max. Engagement speed rpm
	<i>inches</i>	<i>inches</i>	<i>inches</i>			<i>inches</i>		
# BR150	150.00 <i>5.906</i>	400.00 <i>15.748</i>	90.00 <i>3.543</i>	370.00	1300.00	36x8.4	33908.00	180.00
# BR180	180.00 <i>7.087</i>	400.00 <i>15.748</i>	105.00 <i>4.134</i>	370.00	3500.00	45x10.4	33908.00	150.00
# BR190	190.00 <i>7.480</i>	420.00 <i>16.535</i>	105.00 <i>4.134</i>	340.00	3000.00	45x10.4	41160.00	140.00
# BR220	220.00 <i>8.661</i>	460.00 <i>18.110</i>	105.00 <i>4.134</i>	330.00	3000.00	50x11.4	51058.00	140.00
# BR240	240.00 <i>9.449</i>	490.00 <i>19.291</i>	105.00 <i>4.134</i>	310.00	3000.00	56x12.4	62034.00	130.00

# Indicates item not stocked at time of printing - Please enquire for lead time

E&OE Pricing and all details subject to change without notice - Copyright Miniature Bearings Australia Pty Ltd

MBA Size Listings are a guide to sizes only and must not be solely relied on for critical design information.



DISTRIBUTED BY

Ask us to put your name and address here

<http://www.minibearings.com.au/product>

Ph +61 7 3245 7977

Fax +61 7 3245 1017

Catalogue requests to [catalogues@minibearings.com.au](mailto:catalogues@minibearings.com.au)
