

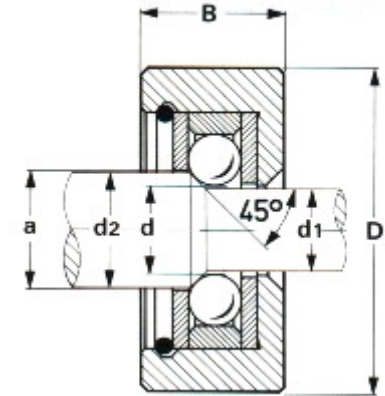


MBA

Bearings - Precision Scale

Bearings for scales.

Note! Minimum quantities apply to production of these items.



Bearings - Precision Scale

Part Number	ID (d) mm	OD (D) mm	Width (B) mm	a	d2 Min	d2 Max	Balls	Static Load Rating N
	<i>inches</i>	<i>inches</i>	<i>inches</i>					
SM556X	4.000 <i>0.157</i>	15.000 <i>0.591</i>	6.500 <i>0.256</i>	5.500	5.000	5.300	8 x 2.450mm	110

Indicates item not stocked at time of printing - Please enquire for lead time

E&OE Pricing and all details subject to change without notice - Copyright Miniature Bearings Australia Pty Ltd

MBA Size Listings are a guide to sizes only and must not be solely relied on for critical design information.



DISTRIBUTED BY

Ask us to put your name and address here

<http://www.minibearings.com.au/product>

Ph +61 7 3245 7977

Fax +61 7 3245 1017

Catalogue requests to catalogues@minibearings.com.au
