



MBA

Bushes - Bronze - Sintered - Flanged - Oilite

Genuine Oilite flanged oil impregnated sintered bronze bushes.

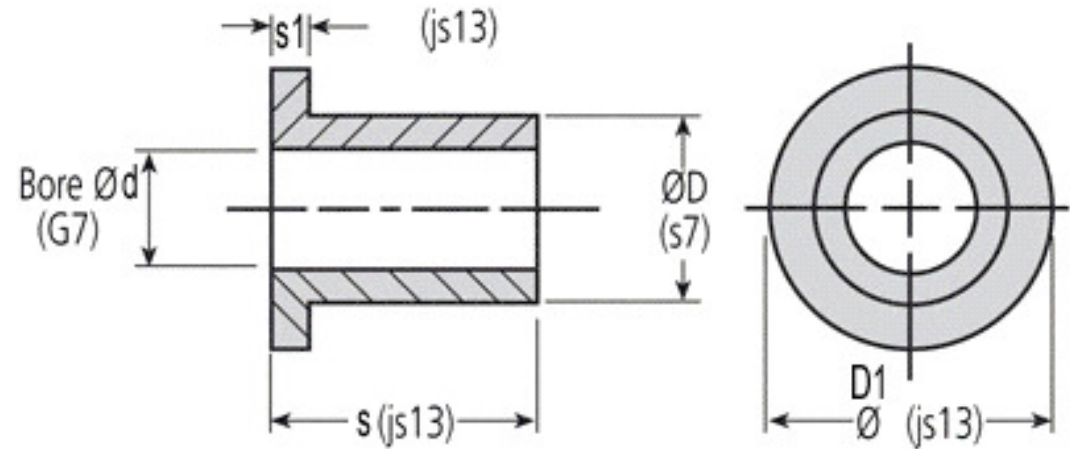
Genuine Oilite Sintered Bronze designed to be fitted in H7 housings and f7 shafts

Static Load: 50N per mm Sq

Dynamic Load: 15N per mm sq

Rec Speed Range: 0.3 mtr per second to 0.5 mtr per second

Limit one Pv factor no greater than 1.8 Pv (Pv= N per mm sq x mtr per second)



Bushes - Bronze - Sintered - Flanged - Oilite

Part Number	ID (d) mm	OD (D) mm	Length (S) mm	Flange OD (D1) mm	Flange Thickness (S1) mm	ID Tolerance mm	OD Tolerance mm	Length Tolerance mm
	<i>inches</i>	<i>inches</i>	<i>inches</i>	<i>inches</i>	<i>inches</i>	<i>inches</i>	<i>inches</i>	<i>inches</i>
# BF00200-00500-0030-SBO	2.000 <i>0.079</i>	5.000 <i>0.197</i>	3.000 <i>0.118</i>	8 <i>0.315</i>	2 <i>0.079</i>	G7	s7	js13
# BF00300-00600-0040-SBO	3.000 <i>0.118</i>	6.000 <i>0.236</i>	4.000 <i>0.157</i>	9 <i>0.354</i>	2 <i>0.079</i>	G7	s7	js13

Indicates item not stocked at time of printing - Please enquire for lead time

E&OE Pricing and all details subject to change without notice - Copyright Miniature Bearings Australia Pty Ltd

MBA Size Listings are a guide to sizes only and must not be solely relied on for critical design information.

Bushes - Bronze - Sintered - Flanged - Oilite

Part Number	ID (d) mm	OD (D) mm	Length (S) mm	Flange OD (D1) mm	Flange Thickness (S1) mm	ID Tolerance mm	OD Tolerance mm	Length Tolerance mm
	<i>inches</i>	<i>inches</i>	<i>inches</i>	<i>inches</i>	<i>inches</i>	<i>inches</i>	<i>inches</i>	<i>inches</i>
# BF00400-00800-0040-SBO	4.000 <i>0.157</i>	8.000 <i>0.315</i>	4.000 <i>0.157</i>	12 <i>0.472</i>	2 <i>0.079</i>	G7	s7	js13
BF00400-00800-0060-SBO	4.000 <i>0.157</i>	8.000 <i>0.315</i>	6.000 <i>0.236</i>	12 <i>0.472</i>	2 <i>0.079</i>	G7	s7	js13
# BF00400-00800-0080-SBO	4.000 <i>0.157</i>	8.000 <i>0.315</i>	8.000 <i>0.315</i>	12 <i>0.472</i>	2 <i>0.079</i>	G7	s7	js13
# BF00400-00800-0120-SBO	4.000 <i>0.157</i>	8.000 <i>0.315</i>	12.000 <i>0.472</i>	12 <i>0.472</i>	2 <i>0.079</i>	G7	s7	js13
# BF00476-00794-0064-SBO	4.763 <i>0.188</i>	7.938 <i>0.313</i>	6.350 <i>0.250</i>	9.53 <i>0.375</i>	1.58 <i>0.062</i>	G7	s7	js13
BF00476-00794-0095-SBO	4.763 <i>0.188</i>	7.938 <i>0.313</i>	9.525 <i>0.375</i>	9.53 <i>0.375</i>	1.58 <i>0.062</i>	G7	s7	js13
# BF00476-00794-0127-SBO	4.763 <i>0.188</i>	7.938 <i>0.313</i>	12.700 <i>0.500</i>	9.53 <i>0.375</i>	1.58 <i>0.062</i>	G7	s7	js13
# BF00500-00900-0040-SBO	5.000 <i>0.197</i>	9.000 <i>0.354</i>	4.000 <i>0.157</i>	13 <i>0.512</i>	2 <i>0.079</i>	G7	s7	js13
# BF00500-00900-0050-SBO	5.000 <i>0.197</i>	9.000 <i>0.354</i>	5.000 <i>0.197</i>	13 <i>0.512</i>	2 <i>0.079</i>	G7	s7	js13
# BF00500-00900-0080-SBO	5.000 <i>0.197</i>	9.000 <i>0.354</i>	8.000 <i>0.315</i>	13 <i>0.512</i>	2 <i>0.079</i>	G7	s7	js13

Indicates item not stocked at time of printing - Please enquire for lead time

E&OE Pricing and all details subject to change without notice - Copyright Miniature Bearings Australia Pty Ltd

MBA Size Listings are a guide to sizes only and must not be solely relied on for critical design information.

Bushes - Bronze - Sintered - Flanged - Oilite

Part Number	ID (d) mm	OD (D) mm	Length (S) mm	Flange OD (D1) mm	Flange Thickness (S1) mm	ID Tolerance mm	OD Tolerance mm	Length Tolerance mm
	<i>inches</i>	<i>inches</i>	<i>inches</i>	<i>inches</i>	<i>inches</i>	<i>inches</i>	<i>inches</i>	<i>inches</i>
# BF00600-01000-0040-SBO	6.000 <i>0.236</i>	10.000 <i>0.394</i>	4.000 <i>0.157</i>	14 <i>0.551</i>	2 <i>0.079</i>	G7	s7	js13
# BF00600-01000-0060-SBO	6.000 <i>0.236</i>	10.000 <i>0.394</i>	6.000 <i>0.236</i>	14 <i>0.551</i>	2 <i>0.079</i>	G7	s7	js13
# BF00600-01000-0100-SBO	6.000 <i>0.236</i>	10.000 <i>0.394</i>	10.000 <i>0.394</i>	14 <i>0.551</i>	2 <i>0.079</i>	G7	s7	js13
# BF00635-00953-0064-SBO	6.350 <i>0.250</i>	9.525 <i>0.375</i>	6.350 <i>0.250</i>	12.70 <i>0.500</i>	1.58 <i>0.062</i>	G7	s7	js13
# BF00635-00953-0095-SBO	6.350 <i>0.250</i>	9.525 <i>0.375</i>	9.525 <i>0.375</i>	12.70 <i>0.500</i>	1.58 <i>0.062</i>	G7	s7	js13
# BF00635-00953-0127-SBO	6.350 <i>0.250</i>	9.525 <i>0.375</i>	12.700 <i>0.500</i>	12.70 <i>0.500</i>	1.58 <i>0.062</i>	G7	s7	js13
# BF00635-00953-0191-SBO	6.350 <i>0.250</i>	9.525 <i>0.375</i>	19.050 <i>0.750</i>	12.70 <i>0.500</i>	1.58 <i>0.062</i>	G7	s7	js13
# BF00700-01100-0080-SBO	7.000 <i>0.276</i>	11.000 <i>0.433</i>	8.000 <i>0.315</i>	15 <i>0.591</i>	2 <i>0.079</i>	G7	s7	js13
# BF00794-01270-0064-SBO	7.938 <i>0.313</i>	12.700 <i>0.500</i>	6.350 <i>0.250</i>	15.88 <i>0.625</i>	1.58 <i>0.062</i>	G7	s7	js13
# BF00794-01270-0095-SBO	7.938 <i>0.313</i>	12.700 <i>0.500</i>	9.525 <i>0.375</i>	15.88 <i>0.625</i>	1.58 <i>0.062</i>	G7	s7	js13

Indicates item not stocked at time of printing - Please enquire for lead time

E&OE Pricing and all details subject to change without notice - Copyright Miniature Bearings Australia Pty Ltd

MBA Size Listings are a guide to sizes only and must not be solely relied on for critical design information.

Bushes - Bronze - Sintered - Flanged - Oilite

Part Number	ID (d) mm	OD (D) mm	Length (S) mm	Flange OD (D1) mm	Flange Thickness (S1) mm	ID Tolerance mm	OD Tolerance mm	Length Tolerance mm
	<i>inches</i>	<i>inches</i>	<i>inches</i>	<i>inches</i>	<i>inches</i>	<i>inches</i>	<i>inches</i>	<i>inches</i>
# BF00794-01270-0127-SBO	7.938 <i>0.313</i>	12.700 <i>0.500</i>	12.700 <i>0.500</i>	15.88 <i>0.625</i>	1.58 <i>0.062</i>	G7	s7	js13
# BF00794-01270-0191-SBO	7.938 <i>0.313</i>	12.700 <i>0.500</i>	19.050 <i>0.750</i>	15.88 <i>0.625</i>	1.58 <i>0.062</i>	G7	s7	js13
# BF00800-01200-0060-SBO	8.000 <i>0.315</i>	12.000 <i>0.472</i>	6.000 <i>0.236</i>	16 <i>0.630</i>	2 <i>0.079</i>	G7	s7	js13
BF00800-01200-0080-SBO	8.000 <i>0.315</i>	12.000 <i>0.472</i>	8.000 <i>0.315</i>	16 <i>0.630</i>	2 <i>0.079</i>	G7	s7	js13
# BF00800-01200-0120-SBO	8.000 <i>0.315</i>	12.000 <i>0.472</i>	12.000 <i>0.472</i>	16 <i>0.630</i>	2 <i>0.079</i>	G7	s7	js13
# BF00800-01200-0160-SBO	8.000 <i>0.315</i>	12.000 <i>0.472</i>	16.000 <i>0.630</i>	16 <i>0.630</i>	2 <i>0.079</i>	G7	s7	js13
# BF00953-01270-0127-SBO	9.525 <i>0.375</i>	12.700 <i>0.500</i>	12.700 <i>0.500</i>	15.88 <i>0.625</i>	3.56 <i>0.140</i>	G7	s7	js13
# BF00953-01270-0222-SBO	9.525 <i>0.375</i>	12.700 <i>0.500</i>	22.225 <i>0.875</i>	15.88 <i>0.625</i>	3.56 <i>0.140</i>	G7	s7	js13
# BF00953-01588-0095-SBO	9.525 <i>0.375</i>	15.875 <i>0.625</i>	9.525 <i>0.375</i>	19.05 <i>0.750</i>	3.18 <i>0.125</i>	G7	s7	js13
# BF00953-01588-0127-SBO	9.525 <i>0.375</i>	15.875 <i>0.625</i>	12.700 <i>0.500</i>	19.05 <i>0.750</i>	3.18 <i>0.125</i>	G7	s7	js13

Indicates item not stocked at time of printing - Please enquire for lead time

E&OE Pricing and all details subject to change without notice - Copyright Miniature Bearings Australia Pty Ltd

MBA Size Listings are a guide to sizes only and must not be solely relied on for critical design information.

Bushes - Bronze - Sintered - Flanged - Oilite

Part Number	ID (d) mm	OD (D) mm	Length (S) mm	Flange OD (D1) mm	Flange Thickness (S1) mm	ID Tolerance mm	OD Tolerance mm	Length Tolerance mm
	<i>inches</i>	<i>inches</i>	<i>inches</i>	<i>inches</i>	<i>inches</i>	<i>inches</i>	<i>inches</i>	<i>inches</i>
# BF00953-01588-0159-SBO	9.525 <i>0.375</i>	15.875 <i>0.625</i>	15.875 <i>0.625</i>	19.05 <i>0.750</i>	3.18 <i>0.125</i>	G7	s7	js13
# BF00953-01588-0191-SBO	9.525 <i>0.375</i>	15.875 <i>0.625</i>	19.050 <i>0.750</i>	19.05 <i>0.750</i>	3.18 <i>0.125</i>	G7	s7	js13
# BF01000-01500-0100-SBO	10.000 <i>0.394</i>	15.000 <i>0.591</i>	10.000 <i>0.394</i>	21 <i>0.827</i>	3 <i>0.118</i>	G7	s7	js13
# BF01000-01500-0160-SBO	10.000 <i>0.394</i>	15.000 <i>0.591</i>	16.000 <i>0.630</i>	21 <i>0.827</i>	3 <i>0.118</i>	G7	s7	js13
# BF01000-01500-0200-SBO	10.000 <i>0.394</i>	15.000 <i>0.591</i>	20.000 <i>0.787</i>	21 <i>0.827</i>	3 <i>0.118</i>	G7	s7	js13
# BF01000-01600-0080-SBO	10.000 <i>0.394</i>	16.000 <i>0.630</i>	8.000 <i>0.315</i>	22 <i>0.866</i>	3 <i>0.118</i>	G7	s7	js13
# BF01000-01600-0100-SBO	10.000 <i>0.394</i>	16.000 <i>0.630</i>	10.000 <i>0.394</i>	22 <i>0.866</i>	3 <i>0.118</i>	G7	s7	js13
BF01000-01600-0160-SBO	10.000 <i>0.394</i>	16.000 <i>0.630</i>	16.000 <i>0.630</i>	22 <i>0.866</i>	3 <i>0.118</i>	G7	s7	js13
# BF01200-01500-0120-SBO	12.000 <i>0.472</i>	15.000 <i>0.591</i>	12.000 <i>0.472</i>	21 <i>0.827</i>	3 <i>0.118</i>	G7	s7	js13
# BF01200-01500-0160-SBO	12.000 <i>0.472</i>	15.000 <i>0.591</i>	16.000 <i>0.630</i>	21 <i>0.827</i>	3 <i>0.118</i>	G7	s7	js13

Indicates item not stocked at time of printing - Please enquire for lead time

E&OE Pricing and all details subject to change without notice - Copyright Miniature Bearings Australia Pty Ltd

MBA Size Listings are a guide to sizes only and must not be solely relied on for critical design information.

Bushes - Bronze - Sintered - Flanged - Oilite

Part Number	ID (d) mm	OD (D) mm	Length (S) mm	Flange OD (D1) mm	Flange Thickness (S1) mm	ID Tolerance mm	OD Tolerance mm	Length Tolerance mm
	<i>inches</i>	<i>inches</i>	<i>inches</i>	<i>inches</i>	<i>inches</i>	<i>inches</i>	<i>inches</i>	<i>inches</i>
# BF01200-01500-0200-SBO	12.000 <i>0.472</i>	15.000 <i>0.591</i>	20.000 <i>0.787</i>	21 <i>0.827</i>	3 <i>0.118</i>	G7	s7	js13
# BF01200-01800-0080-SBO	12.000 <i>0.472</i>	18.000 <i>0.709</i>	8.000 <i>0.315</i>	24 <i>0.945</i>	3 <i>0.118</i>	G7	s7	js13
# BF01200-01800-0120-SBO	12.000 <i>0.472</i>	18.000 <i>0.709</i>	12.000 <i>0.472</i>	24 <i>0.945</i>	3 <i>0.118</i>	G7	s7	js13
# BF01200-01800-0200-SBO	12.000 <i>0.472</i>	18.000 <i>0.709</i>	20.000 <i>0.787</i>	24 <i>0.945</i>	3 <i>0.118</i>	G7	s7	js13
# BF01270-01588-0127-SBO	12.700 <i>0.500</i>	15.875 <i>0.625</i>	12.700 <i>0.500</i>	19.05 <i>0.750</i>	2.49 <i>0.098</i>	G7	s7	js13
# BF01270-01588-0254-SBO	12.700 <i>0.500</i>	15.875 <i>0.625</i>	25.400 <i>1.000</i>	19.05 <i>0.750</i>	2.49 <i>0.098</i>	G7	s7	js13
# BF01270-01905-0127-SBO	12.700 <i>0.500</i>	19.050 <i>0.750</i>	12.700 <i>0.500</i>	25.40 <i>1.000</i>	3.18 <i>0.125</i>	G7	s7	js13
# BF01270-01905-0191-SBO	12.700 <i>0.500</i>	19.050 <i>0.750</i>	19.050 <i>0.750</i>	25.40 <i>1.000</i>	3.18 <i>0.125</i>	G7	s7	js13
# BF01270-01905-0254-SBO	12.700 <i>0.500</i>	19.050 <i>0.750</i>	25.400 <i>1.000</i>	25.40 <i>1.000</i>	3.18 <i>0.125</i>	G7	s7	js13
# BF01400-02000-0100-SBO	14.000 <i>0.551</i>	20.000 <i>0.787</i>	10.000 <i>0.394</i>	26 <i>1.024</i>	3 <i>0.118</i>	G7	s7	js13

Indicates item not stocked at time of printing - Please enquire for lead time

E&OE Pricing and all details subject to change without notice - Copyright Miniature Bearings Australia Pty Ltd

MBA Size Listings are a guide to sizes only and must not be solely relied on for critical design information.

Bushes - Bronze - Sintered - Flanged - Oilite

Part Number	ID (d) mm	OD (D) mm	Length (S) mm	Flange OD (D1) mm	Flange Thickness (S1) mm	ID Tolerance mm	OD Tolerance mm	Length Tolerance mm
	<i>inches</i>	<i>inches</i>	<i>inches</i>	<i>inches</i>	<i>inches</i>	<i>inches</i>	<i>inches</i>	<i>inches</i>
# BF01400-02000-0140-SBO	14.000 <i>0.551</i>	20.000 <i>0.787</i>	14.000 <i>0.551</i>	26 <i>1.024</i>	3 <i>0.118</i>	G7	s7	js13
# BF01400-02000-0200-SBO	14.000 <i>0.551</i>	20.000 <i>0.787</i>	20.000 <i>0.787</i>	26 <i>1.024</i>	3 <i>0.118</i>	G7	s7	js13
# BF01500-02100-0100-SBO	15.000 <i>0.591</i>	21.000 <i>0.827</i>	10.000 <i>0.394</i>	27 <i>1.063</i>	3 <i>0.118</i>	G7	s7	js13
# BF01500-02100-0150-SBO	15.000 <i>0.591</i>	21.000 <i>0.827</i>	15.000 <i>0.591</i>	27 <i>1.063</i>	3 <i>0.118</i>	G7	s7	js13
# BF01500-02100-0200-SBO	15.000 <i>0.591</i>	21.000 <i>0.827</i>	20.000 <i>0.787</i>	27 <i>1.063</i>	3 <i>0.118</i>	G7	s7	js13
# BF01500-02100-0250-SBO	15.000 <i>0.591</i>	21.000 <i>0.827</i>	25.000 <i>0.984</i>	27 <i>1.063</i>	3 <i>0.118</i>	G7	s7	js13
# BF01588-01905-0127-SBO	15.875 <i>0.625</i>	19.050 <i>0.750</i>	12.700 <i>0.500</i>	28.58 <i>1.125</i>	2.39 <i>0.094</i>	G7	s7	js13
# BF01588-01905-0254-SBO	15.875 <i>0.625</i>	19.050 <i>0.750</i>	25.400 <i>1.000</i>	28.58 <i>1.125</i>	2.39 <i>0.094</i>	G7	s7	js13
# BF01588-02223-0127-SBO	15.875 <i>0.625</i>	22.225 <i>0.875</i>	12.700 <i>0.500</i>	31.75 <i>1.250</i>	3.18 <i>0.125</i>	G7	s7	js13
# BF01588-02223-0191-SBO	15.875 <i>0.625</i>	22.225 <i>0.875</i>	19.050 <i>0.750</i>	31.75 <i>1.250</i>	3.18 <i>0.125</i>	G7	s7	js13

Indicates item not stocked at time of printing - Please enquire for lead time

E&OE Pricing and all details subject to change without notice - Copyright Miniature Bearings Australia Pty Ltd

MBA Size Listings are a guide to sizes only and must not be solely relied on for critical design information.

Bushes - Bronze - Sintered - Flanged - Oilite

Part Number	ID (d) mm	OD (D) mm	Length (S) mm	Flange OD (D1) mm	Flange Thickness (S1) mm	ID Tolerance mm	OD Tolerance mm	Length Tolerance mm
	<i>inches</i>	<i>inches</i>	<i>inches</i>	<i>inches</i>	<i>inches</i>	<i>inches</i>	<i>inches</i>	<i>inches</i>
# BF01588-02223-0254-SBO	15.875 <i>0.625</i>	22.225 <i>0.875</i>	25.400 <i>1.000</i>	31.75 <i>1.250</i>	3.18 <i>0.125</i>	G7	s7	js13
# BF01600-02000-0160-SBO	16.000 <i>0.630</i>	20.000 <i>0.787</i>	16.000 <i>0.630</i>	27 <i>1.063</i>	3 <i>0.118</i>	G7	s7	js13
# BF01600-02000-0200-SBO	16.000 <i>0.630</i>	20.000 <i>0.787</i>	20.000 <i>0.787</i>	27 <i>1.063</i>	3 <i>0.118</i>	G7	s7	js13
# BF01600-02000-0250-SBO	16.000 <i>0.630</i>	20.000 <i>0.787</i>	25.000 <i>0.984</i>	27 <i>1.063</i>	3 <i>0.118</i>	G7	s7	js13
# BF01600-02200-0120-SBO	16.000 <i>0.630</i>	22.000 <i>0.866</i>	12.000 <i>0.472</i>	28 <i>1.102</i>	3 <i>0.118</i>	G7	s7	js13
# BF01600-02200-0160-SBO	16.000 <i>0.630</i>	22.000 <i>0.866</i>	16.000 <i>0.630</i>	28 <i>1.102</i>	3 <i>0.118</i>	G7	s7	js13
# BF01600-02200-0200-SBO	16.000 <i>0.630</i>	22.000 <i>0.866</i>	20.000 <i>0.787</i>	28 <i>1.102</i>	3 <i>0.118</i>	G7	s7	js13
BF01600-02200-0250-SBO	16.000 <i>0.630</i>	22.000 <i>0.866</i>	25.000 <i>0.984</i>	28 <i>1.102</i>	3 <i>0.118</i>	G7	s7	js13
# BF01800-02400-0120-SBO	18.000 <i>0.709</i>	24.000 <i>0.945</i>	12.000 <i>0.472</i>	30 <i>1.181</i>	3 <i>0.118</i>	G7	s7	js13
# BF01800-02400-0180-SBO	18.000 <i>0.709</i>	24.000 <i>0.945</i>	18.000 <i>0.709</i>	30 <i>1.181</i>	3 <i>0.118</i>	G7	s7	js13

Indicates item not stocked at time of printing - Please enquire for lead time

E&OE Pricing and all details subject to change without notice - Copyright Miniature Bearings Australia Pty Ltd

MBA Size Listings are a guide to sizes only and must not be solely relied on for critical design information.

Bushes - Bronze - Sintered - Flanged - Oilite

Part Number	ID (d) mm	OD (D) mm	Length (S) mm	Flange OD (D1) mm	Flange Thickness (S1) mm	ID Tolerance mm	OD Tolerance mm	Length Tolerance mm
	<i>inches</i>	<i>inches</i>	<i>inches</i>	<i>inches</i>	<i>inches</i>	<i>inches</i>	<i>inches</i>	<i>inches</i>
# BF01800-02400-0220-SBO	18.000 <i>0.709</i>	24.000 <i>0.945</i>	22.000 <i>0.866</i>	30 <i>1.181</i>	3 <i>0.118</i>	G7	s7	js13
# BF01800-02400-0300-SBO	18.000 <i>0.709</i>	24.000 <i>0.945</i>	30.000 <i>1.181</i>	30 <i>1.181</i>	3 <i>0.118</i>	G7	s7	js13
# BF01905-02540-0191-SBO	19.050 <i>0.750</i>	25.400 <i>1.000</i>	19.050 <i>0.750</i>	34.93 <i>1.375</i>	3.18 <i>0.125</i>	G7	s7	js13
BF01905-02540-0254-SBO	19.050 <i>0.750</i>	25.400 <i>1.000</i>	25.400 <i>1.000</i>	34.93 <i>1.375</i>	3.18 <i>0.125</i>	G7	s7	js13
# BF01905-02540-0318-SBO	19.050 <i>0.750</i>	25.400 <i>1.000</i>	31.750 <i>1.250</i>	34.93 <i>1.375</i>	3.18 <i>0.125</i>	G7	s7	js13
# BF02000-02600-0150-SBO	20.000 <i>0.787</i>	26.000 <i>1.024</i>	15.000 <i>0.591</i>	32 <i>1.260</i>	3 <i>0.118</i>	G7	s7	js13
# BF02000-02600-0200-SBO	20.000 <i>0.787</i>	26.000 <i>1.024</i>	20.000 <i>0.787</i>	32 <i>1.260</i>	3 <i>0.118</i>	G7	s7	js13
BF02000-02600-0250-SBO	20.000 <i>0.787</i>	26.000 <i>1.024</i>	25.000 <i>0.984</i>	32 <i>1.260</i>	3 <i>0.118</i>	G7	s7	js13
# BF02000-02600-0300-SBO	20.000 <i>0.787</i>	26.000 <i>1.024</i>	30.000 <i>1.181</i>	32 <i>1.260</i>	3 <i>0.118</i>	G7	s7	js13
# BF02223-02858-0191-SBO	22.225 <i>0.875</i>	28.575 <i>1.125</i>	19.050 <i>0.750</i>	41.28 <i>1.625</i>	3.18 <i>0.125</i>	G7	s7	js13

Indicates item not stocked at time of printing - Please enquire for lead time

E&OE Pricing and all details subject to change without notice - Copyright Miniature Bearings Australia Pty Ltd

MBA Size Listings are a guide to sizes only and must not be solely relied on for critical design information.

Bushes - Bronze - Sintered - Flanged - Oilite

Part Number	ID (d) mm	OD (D) mm	Length (S) mm	Flange OD (D1) mm	Flange Thickness (S1) mm	ID Tolerance mm	OD Tolerance mm	Length Tolerance mm
	<i>inches</i>	<i>inches</i>	<i>inches</i>	<i>inches</i>	<i>inches</i>	<i>inches</i>	<i>inches</i>	<i>inches</i>
# BF02223-02858-0254-SBO	22.225 <i>0.875</i>	28.575 <i>1.125</i>	25.400 <i>1.000</i>	41.28 <i>1.625</i>	3.18 <i>0.125</i>	G7	s7	js13
# BF02223-02858-0318-SBO	22.225 <i>0.875</i>	28.575 <i>1.125</i>	31.750 <i>1.250</i>	41.28 <i>1.625</i>	3.18 <i>0.125</i>	G7	s7	js13
# BF02223-02858-0381-SBO	22.225 <i>0.875</i>	28.575 <i>1.125</i>	38.100 <i>1.500</i>	41.28 <i>1.625</i>	3.18 <i>0.125</i>	G7	s7	js13
# BF02500-03000-0200-SBO	25.000 <i>0.984</i>	30.000 <i>1.181</i>	20.000 <i>0.787</i>	39 <i>1.535</i>	4 <i>0.157</i>	G7	s7	js13
# BF02500-03000-0250-SBO	25.000 <i>0.984</i>	30.000 <i>1.181</i>	25.000 <i>0.984</i>	39 <i>1.535</i>	4 <i>0.157</i>	G7	s7	js13
# BF02500-03000-0320-SBO	25.000 <i>0.984</i>	30.000 <i>1.181</i>	32.000 <i>1.260</i>	39 <i>1.535</i>	4 <i>0.157</i>	G7	s7	js13
# BF02500-03200-0300-SBO	25.000 <i>0.984</i>	32.000 <i>1.260</i>	30.000 <i>1.181</i>	39 <i>1.535</i>	4 <i>0.157</i>	G7	s7	js13
# BF02540-03175-0254-SBO	25.400 <i>1.000</i>	31.750 <i>1.250</i>	25.400 <i>1.000</i>	38.10 <i>1.500</i>	3.18 <i>0.125</i>	G7	s7	js13
# BF02540-03175-0381-SBO	25.400 <i>1.000</i>	31.750 <i>1.250</i>	38.100 <i>1.500</i>	38.10 <i>1.500</i>	3.18 <i>0.125</i>	G7	s7	js13
# BF03000-03800-0200-SBO	30.000 <i>1.181</i>	38.000 <i>1.496</i>	20.000 <i>0.787</i>	46 <i>1.811</i>	4 <i>0.157</i>	G7	s7	js13

Indicates item not stocked at time of printing - Please enquire for lead time

E&OE Pricing and all details subject to change without notice - Copyright Miniature Bearings Australia Pty Ltd

MBA Size Listings are a guide to sizes only and must not be solely relied on for critical design information.

Bushes - Bronze - Sintered - Flanged - Oilite

Part Number	ID (d) mm	OD (D) mm	Length (S) mm	Flange OD (D1) mm	Flange Thickness (S1) mm	ID Tolerance mm	OD Tolerance mm	Length Tolerance mm
	<i>inches</i>	<i>inches</i>	<i>inches</i>	<i>inches</i>	<i>inches</i>	<i>inches</i>	<i>inches</i>	<i>inches</i>
# BF03000-03800-0250-SBO	30.000 <i>1.181</i>	38.000 <i>1.496</i>	25.000 <i>0.984</i>	46 <i>1.811</i>	4 <i>0.157</i>	G7	s7	js13
# BF03000-03800-0300-SBO	30.000 <i>1.181</i>	38.000 <i>1.496</i>	30.000 <i>1.181</i>	46 <i>1.811</i>	4 <i>0.157</i>	G7	s7	js13
# BF03500-04500-0250-SBO	35.000 <i>1.378</i>	45.000 <i>1.772</i>	25.000 <i>0.984</i>	55 <i>2.165</i>	5 <i>0.197</i>	G7	s7	js13
# BF03500-04500-0350-SBO	35.000 <i>1.378</i>	45.000 <i>1.772</i>	35.000 <i>1.378</i>	55 <i>2.165</i>	5 <i>0.197</i>	G7	s7	js13
# BF03500-04500-0400-SBO	35.000 <i>1.378</i>	45.000 <i>1.772</i>	40.000 <i>1.575</i>	55 <i>2.165</i>	5 <i>0.197</i>	G7	s7	js13
# BF04000-05000-0250-SBO	40.000 <i>1.575</i>	50.000 <i>1.969</i>	25.000 <i>0.984</i>	60 <i>2.362</i>	5 <i>0.197</i>	G8	s8	js13
# BF04000-05000-0300-SBO	40.000 <i>1.575</i>	50.000 <i>1.969</i>	30.000 <i>1.181</i>	60 <i>2.362</i>	5 <i>0.197</i>	G8	s8	js13
# BF04000-05000-0400-SBO	40.000 <i>1.575</i>	50.000 <i>1.969</i>	40.000 <i>1.575</i>	60 <i>2.362</i>	5 <i>0.197</i>	G8	s8	js13
# BF04000-05000-0500-SBO	40.000 <i>1.575</i>	50.000 <i>1.969</i>	50.000 <i>1.969</i>	60 <i>2.362</i>	5 <i>0.197</i>	G8	s8	js13
# BF05000-06000-0320-SBO	50.000 <i>1.969</i>	60.000 <i>2.362</i>	32.000 <i>1.260</i>	70 <i>2.756</i>	5 <i>0.197</i>	G8	s8	js13

Indicates item not stocked at time of printing - Please enquire for lead time

E&OE Pricing and all details subject to change without notice - Copyright Miniature Bearings Australia Pty Ltd

MBA Size Listings are a guide to sizes only and must not be solely relied on for critical design information.

Bushes - Bronze - Sintered - Flanged - Oilite

Part Number	ID (d) mm	OD (D) mm	Length (S) mm	Flange OD (D1) mm	Flange Thickness (S1) mm	ID Tolerance mm	OD Tolerance mm	Length Tolerance mm
	<i>inches</i>	<i>inches</i>	<i>inches</i>	<i>inches</i>	<i>inches</i>	<i>inches</i>	<i>inches</i>	<i>inches</i>
# BF05000-06000-0400-SBO	50.000 <i>1.969</i>	60.000 <i>2.362</i>	40.000 <i>1.575</i>	70 <i>2.756</i>	5 <i>0.197</i>	G8	s8	js13
# BF05000-06000-0500-SBO	50.000 <i>1.969</i>	60.000 <i>2.362</i>	50.000 <i>1.969</i>	70 <i>2.756</i>	5 <i>0.197</i>	G8	s8	js13

Indicates item not stocked at time of printing - Please enquire for lead time

E&OE Pricing and all details subject to change without notice - Copyright Miniature Bearings Australia Pty Ltd

MBA Size Listings are a guide to sizes only and must not be solely relied on for critical design information.



DISTRIBUTED BY

Ask us to put your name and address here

<http://www.minibearings.com.au/product>

Ph +61 7 3245 7977

Fax +61 7 3245 1017

Catalogue requests to catalogues@minibearings.com.au

