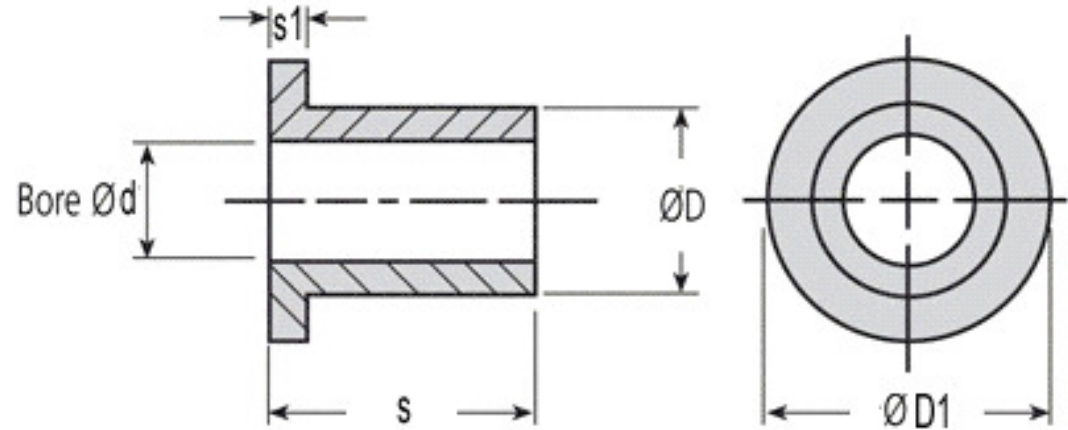




MBA

Bushes - Bronze - Sintered - Flanged



Oil impregnated flanged sintered bronze bushes.
 Precision items show an allowable Load Speed Rating in Newtons times RPM.

Bushes - Bronze - Sintered - Flanged

Part Number	Nominal Shaft Size mm	OD (D) mm	Length (S) mm	Actual ID (d) mm	Flange OD (D1) mm	Flange Thickness (S1) mm	ID Tolerance mm	OD Tolerance mm	Length Tolerance mm	Comments
	<i>inches</i>	<i>inches</i>	<i>inches</i>	<i>inches</i>	<i>inches</i>	<i>inches</i>	<i>inches</i>	<i>inches</i>	<i>inches</i>	
BF00100-00300-0020-SB	1 <i>0.039</i>	3 <i>0.118</i>	2 <i>0.079</i>	1 <i>0.039</i>			+0.024/+0.014	+0.020/+0.010	+0.000/-0.200	
# BF00119-00397-0016-SB	1.1906 <i>0.047</i>	3.97 <i>0.156</i>	1.588 <i>0.063</i>	1.191 <i>0.047</i>	5.16 <i>0.203</i>	0.33 <i>0.013</i>	+0.005/-0.005	+0.000/-0.013	+0.000/-0.127	
# BF00119-00397-0024-SB	1.1906 <i>0.047</i>	3.97 <i>0.156</i>	2.38 <i>0.094</i>	1.191 <i>0.047</i>	5.16 <i>0.203</i>	0.79 <i>0.031</i>	+0.005/-0.005	+0.000/-0.013	+0.000/-0.127	
# BF00119-00477-0020-SB	1.1906 <i>0.047</i>	4.765 <i>0.188</i>	1.984 <i>0.078</i>	1.397 <i>0.055</i>	5.94 <i>0.234</i>	0.58 <i>0.023</i>	+0.005/-0.005	+0.000/-0.013	+0.000/-0.127	

Indicates item not stocked at time of printing - Please enquire for lead time
 E&OE Pricing and all details subject to change without notice - Copyright Miniature Bearings Australia Pty Ltd
 MBA Size Listings are a guide to sizes only and must not be solely relied on for critical design information.

Bushes - Bronze - Sintered - Flanged

Part Number	Nominal Shaft Size mm	OD (D) mm	Length (S) mm	Actual ID (d) mm	Flange OD (D1) mm	Flange Thickness (S1) mm	ID Tolerance mm	OD Tolerance mm	Length Tolerance mm	Comments
	<i>inches</i>	<i>inches</i>	<i>inches</i>	<i>inches</i>	<i>inches</i>	<i>inches</i>	<i>inches</i>	<i>inches</i>	<i>inches</i>	
# BF00119-00477-0028-SB	1.1906 <i>0.047</i>	4.765 <i>0.188</i>	2.779 <i>0.109</i>	1.397 <i>0.055</i>	5.94 <i>0.234</i>	0.79 <i>0.031</i>	+0.005/-0.005	+0.000/-0.013	+0.000/-0.127	
# BF00159-00477-0028-SB	1.5875 <i>0.063</i>	4.765 <i>0.188</i>	2.779 <i>0.109</i>	1.593 <i>0.063</i>	5.94 <i>0.234</i>	0.79 <i>0.031</i>	+0.005/-0.005	+0.000/-0.013	+0.000/-0.127	
# BF00159-00635-0024-SB	1.5875 <i>0.063</i>	6.353 <i>0.250</i>	2.38 <i>0.094</i>	1.593 <i>0.063</i>	7.52 <i>0.296</i>	0.79 <i>0.031</i>	+0.005/-0.005	+0.000/-0.013	+0.000/-0.127	
# BF00198-00635-0024-SB	1.9844 <i>0.078</i>	6.353 <i>0.250</i>	2.38 <i>0.094</i>	1.989 <i>0.078</i>	7.52 <i>0.296</i>	0.58 <i>0.023</i>	+0.005/-0.005	+0.000/-0.013	+0.000/-0.127	
# BF00198-00635-0036-SB	1.9844 <i>0.078</i>	6.353 <i>0.250</i>	3.571 <i>0.141</i>	1.989 <i>0.078</i>	7.52 <i>0.296</i>	0.79 <i>0.031</i>	+0.005/-0.005	+0.000/-0.013	+0.000/-0.127	
BF00200-00400-0040-SB	2 <i>0.079</i>	4 <i>0.157</i>	4 <i>0.157</i>	2 <i>0.079</i>	6 <i>0.236</i>	1.5 <i>0.059</i>	+0.024/+0.014	+0.027/+0.015	+0.000/-0.200	
# BF00238-00477-0016-SB	2.3813 <i>0.094</i>	4.765 <i>0.188</i>	1.588 <i>0.063</i>	2.385 <i>0.094</i>	5.94 <i>0.234</i>	0.46 <i>0.018</i>	+0.005/-0.005	+0.000/-0.013	+0.000/-0.127	
# BF00238-00477-0024-SB	2.3813 <i>0.094</i>	4.765 <i>0.188</i>	2.38 <i>0.094</i>	2.385 <i>0.094</i>	5.94 <i>0.234</i>	0.79 <i>0.031</i>	+0.005/-0.005	+0.000/-0.013	+0.000/-0.127	
# BF00238-00794-0028-SBW	2.3813 <i>0.094</i>	7.94 <i>0.313</i>	2.779 <i>0.109</i>	2.385 <i>0.094</i>	9.12 <i>0.359</i>	0.79 <i>0.031</i>	+0.005/-0.005	+0.000/-0.013	+0.000/-0.127	
# BF00238-00794-0028-SBN	2.3813 <i>0.094</i>	7.94 <i>0.313</i>	2.779 <i>0.109</i>	2.385 <i>0.094</i>	9.12 <i>0.359</i>	0.58 <i>0.023</i>	+0.005/-0.005	+0.000/-0.013	+0.000/-0.127	

Indicates item not stocked at time of printing - Please enquire for lead time

E&OE Pricing and all details subject to change without notice - Copyright Miniature Bearings Australia Pty Ltd

MBA Size Listings are a guide to sizes only and must not be solely relied on for critical design information.

Bushes - Bronze - Sintered - Flanged

Part Number	Nominal Shaft Size mm	OD (D) mm	Length (S) mm	Actual ID (d) mm	Flange OD (D1) mm	Flange Thickness (S1) mm	ID Tolerance mm	OD Tolerance mm	Length Tolerance mm	Comments
	<i>inches</i>	<i>inches</i>	<i>inches</i>	<i>inches</i>	<i>inches</i>	<i>inches</i>	<i>inches</i>	<i>inches</i>	<i>inches</i>	
# BF00238-00794-0036-SB	2.3813 <i>0.094</i>	7.94 <i>0.313</i>	3.571 <i>0.141</i>	2.385 <i>0.094</i>	9.12 <i>0.359</i>	0.79 <i>0.031</i>	+0.005/-0.005	+0.000/-0.013	+0.000/-0.127	
# BF00250-00600-0030-SB	2.5 <i>0.098</i>	6 <i>0.236</i>	3 <i>0.118</i>	2.5 <i>0.098</i>	9 <i>0.354</i>	1.5 <i>0.059</i>	+0.024/+0.014	+0.027/+0.015	+0.000/-0.200	
BF00300-00500-0040-SB	3 <i>0.118</i>	5 <i>0.197</i>	4 <i>0.157</i>	3 <i>0.118</i>	8 <i>0.315</i>	1.5 <i>0.059</i>	+0.024/+0.014	+0.027/+0.015	+0.000/-0.200	
# BF00300-00600-0025-SB	3 <i>0.118</i>	6 <i>0.236</i>	2.5 <i>0.098</i>	3 <i>0.118</i>	8 <i>0.315</i>	0.5 <i>0.020</i>	+0.010/-0.000	+0.000/-0.008	+0.000/-0.178	
# BF00300-00600-0040-SB	3 <i>0.118</i>	6 <i>0.236</i>	4 <i>0.157</i>	3 <i>0.118</i>	9 <i>0.354</i>	1.5 <i>0.059</i>	+0.024/+0.014	+0.027/+0.015	+0.000/-0.200	
# BF00300-00800-0030-SB	3 <i>0.118</i>	8 <i>0.315</i>	3 <i>0.118</i>	3 <i>0.118</i>	10 <i>0.394</i>	0.5 <i>0.020</i>	+0.010/-0.000	+0.000/-0.009	+0.000/-0.178	
# BF00300-01000-0040-SB	3 <i>0.118</i>	10 <i>0.394</i>	4 <i>0.157</i>	3 <i>0.118</i>	12 <i>0.472</i>	1 <i>0.039</i>	+0.010/-0.000	+0.000/-0.009	+0.000/-0.178	
# BF00318-00483-0058-SB	3.175 <i>0.125</i>	4.826 <i>0.190</i>	5.791 <i>0.228</i>	3.175 <i>0.125</i>	6.35 <i>0.250</i>	0.89 <i>0.035</i>	+0.025/-0.000	+0.000/-0.025	+0.000/-0.305	
# BF00318-00563-0031-SBU	3.175 <i>0.125</i>	5.626 <i>0.221</i>	3.099 <i>0.122</i>	3.162 <i>0.124</i>	8.64 <i>0.340</i>	1.27 <i>0.050</i>	+0.025/-0.000	+0.000/-0.025	+0.000/-0.178	Undersized Bore
# BF00318-00563-0038-SB	3.175 <i>0.125</i>	5.626 <i>0.221</i>	3.759 <i>0.148</i>	3.2 <i>0.126</i>	8.76 <i>0.345</i>	1.55 <i>0.061</i>	+0.025/-0.000	+0.000/-0.025	+0.000/-0.178	

Indicates item not stocked at time of printing - Please enquire for lead time

E&OE Pricing and all details subject to change without notice - Copyright Miniature Bearings Australia Pty Ltd

MBA Size Listings are a guide to sizes only and must not be solely relied on for critical design information.

Bushes - Bronze - Sintered - Flanged

Part Number	Nominal Shaft Size mm	OD (D) mm	Length (S) mm	Actual ID (d) mm	Flange OD (D1) mm	Flange Thickness (S1) mm	ID Tolerance mm	OD Tolerance mm	Length Tolerance mm	Comments
	<i>inches</i>	<i>inches</i>	<i>inches</i>	<i>inches</i>	<i>inches</i>	<i>inches</i>	<i>inches</i>	<i>inches</i>	<i>inches</i>	
# BF00318-00635-0024-SB	3.175 <i>0.125</i>	6.353 <i>0.250</i>	2.38 <i>0.094</i>	3.18 <i>0.125</i>	7.52 <i>0.296</i>	0.58 <i>0.023</i>	+0.005/-0.005	+0.000/-0.013	+0.000/-0.127	
# BF00318-00635-0028-SB	3.175 <i>0.125</i>	6.353 <i>0.250</i>	2.779 <i>0.109</i>	3.18 <i>0.125</i>	7.52 <i>0.296</i>	0.79 <i>0.031</i>	+0.005/-0.005	+0.000/-0.013	+0.000/-0.127	
# BF00318-00640-0032-SB	3.175 <i>0.125</i>	6.401 <i>0.252</i>	3.175 <i>0.125</i>	3.2 <i>0.126</i>	9.14 <i>0.360</i>	1.19 <i>0.047</i>	+0.025/-0.000	+0.000/-0.025	+0.127/-0.127	
# BF00318-00640-0064-SB	3.175 <i>0.125</i>	6.401 <i>0.252</i>	6.35 <i>0.250</i>	3.2 <i>0.126</i>	7.94 <i>0.313</i>	1.59 <i>0.063</i>	+0.000/-0.025	+0.000/-0.025	+0.127/-0.127	
# BF00318-00640-0064-SBOF	3.175 <i>0.125</i>	6.401 <i>0.252</i>	6.35 <i>0.250</i>	3.2 <i>0.126</i>	9.14 <i>0.360</i>	1.19 <i>0.047</i>	+0.025/-0.000	+0.000/-0.025	+0.127/-0.127	
# BF00318-00640-0095-SB	3.175 <i>0.125</i>	6.401 <i>0.252</i>	9.525 <i>0.375</i>	3.2 <i>0.126</i>	7.94 <i>0.313</i>	1.59 <i>0.063</i>	+0.000/-0.025	+0.000/-0.025	+0.127/-0.127	
# BF00318-00640-0095-SBOF	3.175 <i>0.125</i>	6.401 <i>0.252</i>	9.525 <i>0.375</i>	3.2 <i>0.126</i>	9.14 <i>0.360</i>	1.19 <i>0.047</i>	+0.025/-0.000	+0.000/-0.025	+0.127/-0.127	
# BF00318-00794-0028-SB	3.175 <i>0.125</i>	7.94 <i>0.313</i>	2.779 <i>0.109</i>	3.18 <i>0.125</i>	9.12 <i>0.359</i>	0.58 <i>0.023</i>	+0.005/-0.005	+0.000/-0.013	+0.000/-0.127	
# BF00318-00794-0036-SB	3.175 <i>0.125</i>	7.94 <i>0.313</i>	3.571 <i>0.141</i>	3.18 <i>0.125</i>	9.12 <i>0.359</i>	0.79 <i>0.031</i>	+0.005/-0.005	+0.000/-0.013	+0.000/-0.127	
# BF00318-00800-0064-SB	3.175 <i>0.125</i>	8.001 <i>0.315</i>	6.35 <i>0.250</i>	3.226 <i>0.127</i>	9.53 <i>0.375</i>	1.19 <i>0.047</i>	+0.000/-0.025	+0.000/-0.025	+0.127/-0.127	

Indicates item not stocked at time of printing - Please enquire for lead time

E&OE Pricing and all details subject to change without notice - Copyright Miniature Bearings Australia Pty Ltd

MBA Size Listings are a guide to sizes only and must not be solely relied on for critical design information.

Bushes - Bronze - Sintered - Flanged

Part Number	Nominal Shaft Size mm	OD (D) mm	Length (S) mm	Actual ID (d) mm	Flange OD (D1) mm	Flange Thickness (S1) mm	ID Tolerance mm	OD Tolerance mm	Length Tolerance mm	Comments
	<i>inches</i>	<i>inches</i>	<i>inches</i>	<i>inches</i>	<i>inches</i>	<i>inches</i>	<i>inches</i>	<i>inches</i>	<i>inches</i>	
# BF00318-00800-0095-SB	3.175 <i>0.125</i>	8.001 <i>0.315</i>	9.525 <i>0.375</i>	3.226 <i>0.127</i>	9.53 <i>0.375</i>	1.19 <i>0.047</i>	+0.000/-0.025	+0.000/-0.025	+0.127/-0.127	
# BF00318-00953-0028-SB	3.175 <i>0.125</i>	9.528 <i>0.375</i>	2.779 <i>0.109</i>	3.18 <i>0.125</i>	10.72 <i>0.422</i>	0.58 <i>0.023</i>	+0.005/-0.005	+0.000/-0.013	+0.000/-0.127	
# BF00318-00953-0036-SB	3.175 <i>0.125</i>	9.528 <i>0.375</i>	3.571 <i>0.141</i>	3.18 <i>0.125</i>	10.72 <i>0.422</i>	0.79 <i>0.031</i>	+0.005/-0.005	+0.000/-0.013	+0.000/-0.127	
# BF00397-00794-0028-SB	3.9688 <i>0.156</i>	7.94 <i>0.313</i>	2.779 <i>0.109</i>	3.973 <i>0.156</i>	9.12 <i>0.359</i>	0.58 <i>0.023</i>	+0.005/-0.005	+0.000/-0.013	+0.000/-0.127	
# BF00397-00794-0032-SB	3.9688 <i>0.156</i>	7.94 <i>0.313</i>	3.175 <i>0.125</i>	3.973 <i>0.156</i>	9.12 <i>0.359</i>	0.91 <i>0.036</i>	+0.005/-0.005	+0.000/-0.013	+0.000/-0.127	
BF00400-00800-0040-SB	4 <i>0.157</i>	8 <i>0.315</i>	4 <i>0.157</i>	4 <i>0.157</i>	10 <i>0.394</i>	1 <i>0.039</i>	+0.012/-0.000	+0.000/-0.009	+0.000/-0.178	
BF00400-00800-0060-SB	4 <i>0.157</i>	8 <i>0.315</i>	6 <i>0.236</i>	4 <i>0.157</i>	10 <i>0.394</i>	1.5 <i>0.059</i>	+0.032/+0.020	+0.034/+0.019	+0.000/-0.200	
# BF00476-00643-0089-SB	4.7625 <i>0.188</i>	6.426 <i>0.253</i>	8.865 <i>0.349</i>	4.775 <i>0.188</i>	7.87 <i>0.310</i>	0.86 <i>0.034</i>	+0.025/-0.000	+0.000/-0.025	+0.000/-0.127	
# BF00476-00721-0055-SB	4.7625 <i>0.188</i>	7.214 <i>0.284</i>	5.537 <i>0.218</i>	4.763 <i>0.188</i>	96.14 <i>3.785</i>	1.45 <i>0.057</i>	+0.025/-0.000	+0.000/-0.025	+0.000/-0.152	
# BF00476-00722-0071-SB	4.7625 <i>0.188</i>	7.221 <i>0.284</i>	7.137 <i>0.281</i>	4.775 <i>0.188</i>	9.53 <i>0.375</i>	3.07 <i>0.121</i>	+0.025/-0.000	+0.000/-0.025	+0.127/-0.127	

Indicates item not stocked at time of printing - Please enquire for lead time

E&OE Pricing and all details subject to change without notice - Copyright Miniature Bearings Australia Pty Ltd

MBA Size Listings are a guide to sizes only and must not be solely relied on for critical design information.

Bushes - Bronze - Sintered - Flanged

Part Number	Nominal Shaft Size mm	OD (D) mm	Length (S) mm	Actual ID (d) mm	Flange OD (D1) mm	Flange Thickness (S1) mm	ID Tolerance mm	OD Tolerance mm	Length Tolerance mm	Comments
	<i>inches</i>	<i>inches</i>	<i>inches</i>	<i>inches</i>	<i>inches</i>	<i>inches</i>	<i>inches</i>	<i>inches</i>	<i>inches</i>	
# BF00476-00795-0064-SBU	4.7625	7.95	6.35	4.75	9.53	1.59	+0.000/-0.025	+0.000/-0.025	+0.127/-0.127	Undersized Bore
	<i>0.188</i>	<i>0.313</i>	<i>0.250</i>	<i>0.187</i>	<i>0.375</i>	<i>0.063</i>				
# BF00476-00795-0095-SBU	4.7625	7.95	9.525	4.75	9.53	1.59	+0.000/-0.025	+0.000/-0.025	+0.127/-0.127	Undersized Bore
	<i>0.188</i>	<i>0.313</i>	<i>0.375</i>	<i>0.187</i>	<i>0.375</i>	<i>0.063</i>				
# BF00476-00798-0048-SB	4.7625	7.976	4.763	4.813	11.11	1.59	+0.000/-0.025	+0.000/-0.025	+0.127/-0.127	
	<i>0.188</i>	<i>0.314</i>	<i>0.188</i>	<i>0.189</i>	<i>0.437</i>	<i>0.063</i>				
# BF00476-00798-0064-SB	4.7625	7.976	6.35	4.775	9.4	1.19	+0.025/-0.000	+0.000/-0.025	+0.127/-0.127	
	<i>0.188</i>	<i>0.314</i>	<i>0.250</i>	<i>0.188</i>	<i>0.370</i>	<i>0.047</i>				
# BF00476-00798-0064-SBO	4.7625	7.976	6.35	4.813	11.11	1.59	+0.000/-0.025	+0.000/-0.025	+0.127/-0.127	
	<i>0.188</i>	<i>0.314</i>	<i>0.250</i>	<i>0.189</i>	<i>0.437</i>	<i>0.063</i>				
# BF00476-00798-0079-SB	4.7625	7.976	7.938	4.813	11.11	1.59	+0.000/-0.025	+0.000/-0.025	+0.127/-0.127	
	<i>0.188</i>	<i>0.314</i>	<i>0.313</i>	<i>0.189</i>	<i>0.437</i>	<i>0.063</i>				
# BF00476-00798-0095-SB	4.7625	7.976	9.525	4.775	9.4	1.19	+0.025/-0.000	+0.000/-0.025	+0.127/-0.127	
	<i>0.188</i>	<i>0.314</i>	<i>0.375</i>	<i>0.188</i>	<i>0.370</i>	<i>0.047</i>				
# BF00476-00798-0095-SBO	4.7625	7.976	9.525	4.813	11.11	1.59	+0.000/-0.025	+0.000/-0.025	+0.127/-0.127	
	<i>0.188</i>	<i>0.314</i>	<i>0.375</i>	<i>0.189</i>	<i>0.437</i>	<i>0.063</i>				
BF00476-00798-0127-SB	4.7625	7.976	12.7	4.775	9.4	1.19	+0.025/-0.000	+0.000/-0.025	+0.127/-0.127	
	<i>0.188</i>	<i>0.314</i>	<i>0.500</i>	<i>0.188</i>	<i>0.370</i>	<i>0.047</i>				
# BF00476-00798-0127-SBO	4.7625	7.976	12.7	4.813	11.11	1.59	+0.000/-0.025	+0.000/-0.025	+0.127/-0.127	
	<i>0.188</i>	<i>0.314</i>	<i>0.500</i>	<i>0.189</i>	<i>0.437</i>	<i>0.063</i>				

Indicates item not stocked at time of printing - Please enquire for lead time

E&OE Pricing and all details subject to change without notice - Copyright Miniature Bearings Australia Pty Ltd

MBA Size Listings are a guide to sizes only and must not be solely relied on for critical design information.

Bushes - Bronze - Sintered - Flanged

Part Number	Nominal Shaft Size mm	OD (D) mm	Length (S) mm	Actual ID (d) mm	Flange OD (D1) mm	Flange Thickness (S1) mm	ID Tolerance mm	OD Tolerance mm	Length Tolerance mm	Comments
	<i>inches</i>	<i>inches</i>	<i>inches</i>	<i>inches</i>	<i>inches</i>	<i>inches</i>	<i>inches</i>	<i>inches</i>	<i>inches</i>	
# BF00476-00798-0159-SB	4.7625 <i>0.188</i>	7.976 <i>0.314</i>	15.875 <i>0.625</i>	4.775 <i>0.188</i>	9.4 <i>0.370</i>	1.19 <i>0.047</i>	+0.025/-0.000	+0.000/-0.025	+0.127/-0.127	
# BF00476-00799-0032-SB	4.7625 <i>0.188</i>	7.988 <i>0.314</i>	3.175 <i>0.125</i>	4.801 <i>0.189</i>	9.53 <i>0.375</i>	1.19 <i>0.047</i>	+0.000/-0.025	+0.000/-0.025	+0.127/-0.127	
# BF00476-00799-0064-SB	4.7625 <i>0.188</i>	7.988 <i>0.314</i>	6.35 <i>0.250</i>	4.801 <i>0.189</i>	9.53 <i>0.375</i>	1.19 <i>0.047</i>	+0.000/-0.025	+0.000/-0.025	+0.127/-0.127	
# BF00476-00799-0095-SB	4.7625 <i>0.188</i>	7.988 <i>0.314</i>	9.525 <i>0.375</i>	4.801 <i>0.189</i>	9.53 <i>0.375</i>	1.19 <i>0.047</i>	+0.000/-0.025	+0.000/-0.025	+0.127/-0.127	
# BF00476-00801-0034-SB	4.7625 <i>0.188</i>	8.014 <i>0.316</i>	3.416 <i>0.134</i>	4.763 <i>0.188</i>	11.11 <i>0.437</i>	1.57 <i>0.062</i>	+0.025/-0.000	+0.000/-0.025	+0.000/-0.203	
# BF00476-00801-0061-SB	4.7625 <i>0.188</i>	8.014 <i>0.316</i>	6.096 <i>0.240</i>	4.775 <i>0.188</i>	9.53 <i>0.375</i>	2.21 <i>0.087</i>	+0.025/-0.000	+0.000/-0.025	+0.000/-0.152	
# BF00476-00803-0095-SB	4.7625 <i>0.188</i>	8.026 <i>0.316</i>	9.525 <i>0.375</i>	4.775 <i>0.188</i>	11.11 <i>0.437</i>	1.63 <i>0.064</i>	+0.025/-0.000	+0.000/-0.025	+0.127/-0.127	
# BF00476-00953-0028-SB	4.7625 <i>0.188</i>	9.528 <i>0.375</i>	2.779 <i>0.109</i>	4.768 <i>0.188</i>	10.72 <i>0.422</i>	0.58 <i>0.023</i>	+0.005/-0.005	+0.000/-0.013	+0.000/-0.127	
# BF00476-00953-0032-SBN	4.7625 <i>0.188</i>	9.528 <i>0.375</i>	3.175 <i>0.125</i>	4.768 <i>0.188</i>	10.72 <i>0.422</i>	0.58 <i>0.023</i>	+0.005/-0.005	+0.000/-0.013	+0.000/-0.127	
# BF00476-00953-0032-SBW	4.7625 <i>0.188</i>	9.528 <i>0.375</i>	3.175 <i>0.125</i>	4.768 <i>0.188</i>	10.72 <i>0.422</i>	0.79 <i>0.031</i>	+0.005/-0.005	+0.000/-0.013	+0.000/-0.127	

Indicates item not stocked at time of printing - Please enquire for lead time

E&OE Pricing and all details subject to change without notice - Copyright Miniature Bearings Australia Pty Ltd

MBA Size Listings are a guide to sizes only and must not be solely relied on for critical design information.

Bushes - Bronze - Sintered - Flanged

Part Number	Nominal Shaft Size mm	OD (D) mm	Length (S) mm	Actual ID (d) mm	Flange OD (D1) mm	Flange Thickness (S1) mm	ID Tolerance mm	OD Tolerance mm	Length Tolerance mm	Comments
	<i>inches</i>	<i>inches</i>	<i>inches</i>	<i>inches</i>	<i>inches</i>	<i>inches</i>	<i>inches</i>	<i>inches</i>	<i>inches</i>	
# BF00476-00956-0095-SB	4.7625 <i>0.188</i>	9.563 <i>0.376</i>	9.525 <i>0.375</i>	4.813 <i>0.189</i>	11.11 <i>0.437</i>	1.59 <i>0.063</i>	+0.000/-0.025	+0.000/-0.025	+0.127/-0.127	
# BF00476-00956-0127-SB	4.7625 <i>0.188</i>	9.563 <i>0.376</i>	12.7 <i>0.500</i>	4.813 <i>0.189</i>	11.11 <i>0.437</i>	1.59 <i>0.063</i>	+0.000/-0.025	+0.000/-0.025	+0.127/-0.127	
# BF00476-01270-0040-SB	4.7625 <i>0.188</i>	12.703 <i>0.500</i>	3.967 <i>0.156</i>	4.768 <i>0.188</i>	14.35 <i>0.565</i>	1.07 <i>0.042</i>	+0.005/-0.005	+0.000/-0.013	+0.000/-0.127	
# BF00476-01270-0050-SB	4.7625 <i>0.188</i>	12.703 <i>0.500</i>	4.978 <i>0.196</i>	4.768 <i>0.188</i>	14.35 <i>0.565</i>	1.07 <i>0.042</i>	+0.005/-0.005	+0.000/-0.013	+0.000/-0.127	
BF00500-00800-0060-SB	5 <i>0.197</i>	8 <i>0.315</i>	6 <i>0.236</i>	5 <i>0.197</i>	10 <i>0.394</i>	2 <i>0.079</i>	+0.032/+0.020	+0.034/+0.019	+0.000/-0.200	
BF00500-01000-0050-SB	5 <i>0.197</i>	10 <i>0.394</i>	5 <i>0.197</i>	5 <i>0.197</i>	12 <i>0.472</i>	1 <i>0.039</i>	+0.012/-0.000	+0.000/-0.009	+0.000/-0.178	
BF00500-01000-0060-SB	5 <i>0.197</i>	10 <i>0.394</i>	6 <i>0.236</i>	5 <i>0.197</i>	12 <i>0.472</i>	2 <i>0.079</i>	+0.032/+0.020	+0.034/+0.019	+0.000/-0.200	
# BF00500-01200-0040-SB	5 <i>0.197</i>	12 <i>0.472</i>	4 <i>0.157</i>	5 <i>0.197</i>	14 <i>0.551</i>	1 <i>0.039</i>	+0.012/-0.000	+0.000/-0.011	+0.000/-0.178	
# BF00500-01300-0050-SB	5 <i>0.197</i>	13 <i>0.512</i>	5 <i>0.197</i>	5 <i>0.197</i>	14 <i>0.551</i>	1 <i>0.039</i>	+0.012/-0.000	+0.000/-0.011	+0.000/-0.178	
# BF00556-00718-0053-SBU	5.5563 <i>0.219</i>	7.176 <i>0.283</i>	5.258 <i>0.207</i>	5.537 <i>0.218</i>	7.87 <i>0.310</i>	2.13 <i>0.084</i>	+0.025/-0.000	+0.000/-0.025	+0.000/-0.127	Undersized Bore

Indicates item not stocked at time of printing - Please enquire for lead time

E&OE Pricing and all details subject to change without notice - Copyright Miniature Bearings Australia Pty Ltd

MBA Size Listings are a guide to sizes only and must not be solely relied on for critical design information.

Bushes - Bronze - Sintered - Flanged

Part Number	Nominal Shaft Size mm	OD (D) mm	Length (S) mm	Actual ID (d) mm	Flange OD (D1) mm	Flange Thickness (S1) mm	ID Tolerance mm	OD Tolerance mm	Length Tolerance mm	Comments
	<i>inches</i>	<i>inches</i>	<i>inches</i>	<i>inches</i>	<i>inches</i>	<i>inches</i>	<i>inches</i>	<i>inches</i>	<i>inches</i>	
BF00600-01000-0040-SB	6 <i>0.236</i>	10 <i>0.394</i>	4 <i>0.157</i>	6 <i>0.236</i>	14 <i>0.551</i>	2 <i>0.079</i>	+0.032/+0.020	+0.034/+0.019	+0.000/-0.200	
# BF00600-01000-0050-SB	6 <i>0.236</i>	10 <i>0.394</i>	5 <i>0.197</i>	6 <i>0.236</i>	12 <i>0.472</i>	1 <i>0.039</i>	+0.012/-0.000	+0.000/-0.009	+0.000/-0.178	
# BF00600-01000-0060-SB	6 <i>0.236</i>	10 <i>0.394</i>	6 <i>0.236</i>	6 <i>0.236</i>	14 <i>0.551</i>	2 <i>0.079</i>	+0.032/+0.020	+0.034/+0.019	+0.000/-0.200	
# BF00600-01200-0060-SB	6 <i>0.236</i>	12 <i>0.472</i>	6 <i>0.236</i>	6 <i>0.236</i>	14 <i>0.551</i>	2 <i>0.079</i>	+0.032/+0.020	+0.041/+0.023	+0.000/-0.200	
# BF00600-01600-0050-SB	6 <i>0.236</i>	16 <i>0.630</i>	5 <i>0.197</i>	6 <i>0.236</i>	18 <i>0.709</i>	1 <i>0.039</i>	+0.012/-0.000	+0.000/-0.011	+0.000/-0.178	
# BF00635-00801-0127-SB	6.35 <i>0.250</i>	8.014 <i>0.316</i>	12.7 <i>0.500</i>	6.375 <i>0.251</i>	11.11 <i>0.437</i>	1.68 <i>0.066</i>	+0.025/-0.000	+0.000/-0.025	+0.127/-0.127	
# BF00635-00803-0040-SB	6.35 <i>0.250</i>	8.026 <i>0.316</i>	3.962 <i>0.156</i>	6.375 <i>0.251</i>	11.11 <i>0.437</i>	1.65 <i>0.065</i>	+0.025/-0.000	+0.000/-0.025	+0.127/-0.127	
BF00635-00803-0064-SB	6.35 <i>0.250</i>	8.026 <i>0.316</i>	6.35 <i>0.250</i>	6.375 <i>0.251</i>	11.11 <i>0.437</i>	1.65 <i>0.065</i>	+0.025/-0.000	+0.000/-0.025	+0.127/-0.127	
# BF00635-00953-0032-SBN	6.35 <i>0.250</i>	9.528 <i>0.375</i>	3.175 <i>0.125</i>	6.355 <i>0.250</i>	10.72 <i>0.422</i>	0.58 <i>0.023</i>	+0.005/-0.005	+0.000/-0.013	+0.000/-0.127	
# BF00635-00953-0032-SBW	6.35 <i>0.250</i>	9.528 <i>0.375</i>	3.175 <i>0.125</i>	6.355 <i>0.250</i>	10.72 <i>0.422</i>	0.91 <i>0.036</i>	+0.005/-0.005	+0.000/-0.013	+0.000/-0.127	

Indicates item not stocked at time of printing - Please enquire for lead time

E&OE Pricing and all details subject to change without notice - Copyright Miniature Bearings Australia Pty Ltd

MBA Size Listings are a guide to sizes only and must not be solely relied on for critical design information.

Bushes - Bronze - Sintered - Flanged

Part Number	Nominal Shaft Size mm	OD (D) mm	Length (S) mm	Actual ID (d) mm	Flange OD (D1) mm	Flange Thickness (S1) mm	ID Tolerance mm	OD Tolerance mm	Length Tolerance mm	Comments
	<i>inches</i>	<i>inches</i>	<i>inches</i>	<i>inches</i>	<i>inches</i>	<i>inches</i>	<i>inches</i>	<i>inches</i>	<i>inches</i>	
BF00635-00958-0064-SB	6.35 <i>0.250</i>	9.576 <i>0.377</i>	6.35 <i>0.250</i>	6.375 <i>0.251</i>	14.22 <i>0.560</i>	1.19 <i>0.047</i>	+0.025/-0.000	+0.000/-0.025	+0.127/-0.127	
BF00635-00958-0064-SBO	6.35 <i>0.250</i>	9.576 <i>0.377</i>	6.35 <i>0.250</i>	6.401 <i>0.252</i>	12.7 <i>0.500</i>	1.19 <i>0.047</i>	+0.000/-0.025	+0.000/-0.025	+0.127/-0.127	
BF00635-00958-0095-SBO	6.35 <i>0.250</i>	9.576 <i>0.377</i>	9.525 <i>0.375</i>	6.401 <i>0.252</i>	12.7 <i>0.500</i>	1.19 <i>0.047</i>	+0.000/-0.025	+0.000/-0.025	+0.127/-0.127	
# BF00635-00958-0095-SB	6.35 <i>0.250</i>	9.576 <i>0.377</i>	9.525 <i>0.375</i>	6.375 <i>0.251</i>	14.22 <i>0.560</i>	1.19 <i>0.047</i>	+0.025/-0.000	+0.000/-0.025	+0.127/-0.127	
# BF00635-00958-0127-SBO2	6.35 <i>0.250</i>	9.576 <i>0.377</i>	12.7 <i>0.500</i>	6.426 <i>0.253</i>	12.7 <i>0.500</i>	1.59 <i>0.063</i>	+0.000/-0.025	+0.000/-0.025	+0.127/-0.127	
# BF00635-00958-0127-SBO1	6.35 <i>0.250</i>	9.576 <i>0.377</i>	12.7 <i>0.500</i>	6.401 <i>0.252</i>	12.7 <i>0.500</i>	1.19 <i>0.047</i>	+0.000/-0.025	+0.000/-0.025	+0.127/-0.127	
BF00635-00958-0127-SB	6.35 <i>0.250</i>	9.576 <i>0.377</i>	12.7 <i>0.500</i>	6.375 <i>0.251</i>	14.22 <i>0.560</i>	1.19 <i>0.047</i>	+0.025/-0.000	+0.000/-0.025	+0.127/-0.127	
# BF00635-00958-0159-SB	6.35 <i>0.250</i>	9.576 <i>0.377</i>	15.875 <i>0.625</i>	6.375 <i>0.251</i>	14.22 <i>0.560</i>	1.19 <i>0.047</i>	+0.025/-0.000	+0.000/-0.025	+0.127/-0.127	
# BF00635-00958-0159-SBO	6.35 <i>0.250</i>	9.576 <i>0.377</i>	15.875 <i>0.625</i>	6.401 <i>0.252</i>	12.7 <i>0.500</i>	1.19 <i>0.047</i>	+0.000/-0.025	+0.000/-0.025	+0.127/-0.127	
# BF00635-00958-0191-SB	6.35 <i>0.250</i>	9.576 <i>0.377</i>	19.05 <i>0.750</i>	6.401 <i>0.252</i>	12.7 <i>0.500</i>	1.19 <i>0.047</i>	+0.000/-0.025	+0.000/-0.025	+0.127/-0.127	

Indicates item not stocked at time of printing - Please enquire for lead time

E&OE Pricing and all details subject to change without notice - Copyright Miniature Bearings Australia Pty Ltd

MBA Size Listings are a guide to sizes only and must not be solely relied on for critical design information.

Bushes - Bronze - Sintered - Flanged

Part Number	Nominal Shaft Size mm	OD (D) mm	Length (S) mm	Actual ID (d) mm	Flange OD (D1) mm	Flange Thickness (S1) mm	ID Tolerance mm	OD Tolerance mm	Length Tolerance mm	Comments
	<i>inches</i>	<i>inches</i>	<i>inches</i>	<i>inches</i>	<i>inches</i>	<i>inches</i>	<i>inches</i>	<i>inches</i>	<i>inches</i>	
# BF00635-00959-0064-SB	6.35 <i>0.250</i>	9.589 <i>0.378</i>	6.35 <i>0.250</i>	6.401 <i>0.252</i>	11.91 <i>0.469</i>	1.59 <i>0.063</i>	+0.000/-0.025	+0.000/-0.025	+0.127/-0.127	
# BF00635-00959-0095-SB	6.35 <i>0.250</i>	9.589 <i>0.378</i>	9.525 <i>0.375</i>	6.401 <i>0.252</i>	11.91 <i>0.469</i>	1.59 <i>0.063</i>	+0.000/-0.025	+0.000/-0.025	+0.127/-0.127	
# BF00635-00959-0127-SB	6.35 <i>0.250</i>	9.589 <i>0.378</i>	12.7 <i>0.500</i>	6.401 <i>0.252</i>	11.91 <i>0.469</i>	1.59 <i>0.063</i>	+0.000/-0.025	+0.000/-0.025	+0.127/-0.127	
# BF00635-00963-0103-SB	6.35 <i>0.250</i>	9.627 <i>0.379</i>	10.312 <i>0.406</i>	6.375 <i>0.251</i>	12.7 <i>0.500</i>	2.41 <i>0.095</i>	+0.025/-0.000	+0.000/-0.025	+0.127/-0.127	
BF00635-00963-0147-SB	6.35 <i>0.250</i>	9.627 <i>0.379</i>	14.681 <i>0.578</i>	6.375 <i>0.251</i>	12.7 <i>0.500</i>	2.41 <i>0.095</i>	+0.025/-0.000	+0.000/-0.025	+0.000/-0.127	
# BF00635-00968-0048-SB	6.35 <i>0.250</i>	9.677 <i>0.381</i>	4.763 <i>0.188</i>	6.35 <i>0.250</i>	12.7 <i>0.500</i>	1.59 <i>0.063</i>	+0.000/-0.025	+0.000/-0.025	+0.127/-0.127	
# BF00635-00968-0064-SB	6.35 <i>0.250</i>	9.677 <i>0.381</i>	6.35 <i>0.250</i>	6.35 <i>0.250</i>	12.7 <i>0.500</i>	1.59 <i>0.063</i>	+0.000/-0.025	+0.000/-0.025	+0.127/-0.127	
# BF00635-00968-0079-SB	6.35 <i>0.250</i>	9.677 <i>0.381</i>	7.938 <i>0.313</i>	6.35 <i>0.250</i>	12.7 <i>0.500</i>	1.59 <i>0.063</i>	+0.000/-0.025	+0.000/-0.025	+0.127/-0.127	
# BF00635-00968-0095-SB	6.35 <i>0.250</i>	9.677 <i>0.381</i>	9.525 <i>0.375</i>	6.35 <i>0.250</i>	12.7 <i>0.500</i>	1.59 <i>0.063</i>	+0.000/-0.025	+0.000/-0.025	+0.127/-0.127	
# BF00635-00968-0111-SB	6.35 <i>0.250</i>	9.677 <i>0.381</i>	11.113 <i>0.438</i>	6.35 <i>0.250</i>	12.7 <i>0.500</i>	1.59 <i>0.063</i>	+0.000/-0.025	+0.000/-0.025	+0.127/-0.127	

Indicates item not stocked at time of printing - Please enquire for lead time

E&OE Pricing and all details subject to change without notice - Copyright Miniature Bearings Australia Pty Ltd

MBA Size Listings are a guide to sizes only and must not be solely relied on for critical design information.

Bushes - Bronze - Sintered - Flanged

Part Number	Nominal Shaft Size mm	OD (D) mm	Length (S) mm	Actual ID (d) mm	Flange OD (D1) mm	Flange Thickness (S1) mm	ID Tolerance mm	OD Tolerance mm	Length Tolerance mm	Comments
	<i>inches</i>	<i>inches</i>	<i>inches</i>	<i>inches</i>	<i>inches</i>	<i>inches</i>	<i>inches</i>	<i>inches</i>	<i>inches</i>	
# BF00635-00968-0127-SB	6.35 <i>0.250</i>	9.677 <i>0.381</i>	12.7 <i>0.500</i>	6.35 <i>0.250</i>	12.7 <i>0.500</i>	1.59 <i>0.063</i>	+0.000/-0.025	+0.000/-0.025	+0.127/-0.127	
# BF00635-00968-0143-SB	6.35 <i>0.250</i>	9.677 <i>0.381</i>	14.288 <i>0.563</i>	6.35 <i>0.250</i>	12.7 <i>0.500</i>	1.59 <i>0.063</i>	+0.000/-0.025	+0.000/-0.025	+0.127/-0.127	
# BF00635-00968-0175-SB	6.35 <i>0.250</i>	9.677 <i>0.381</i>	17.463 <i>0.688</i>	6.35 <i>0.250</i>	12.7 <i>0.500</i>	1.59 <i>0.063</i>	+0.000/-0.025	+0.000/-0.025	+0.127/-0.127	
# BF00635-01116-0127-SB	6.35 <i>0.250</i>	11.163 <i>0.439</i>	12.7 <i>0.500</i>	6.375 <i>0.251</i>	12.7 <i>0.500</i>	1.59 <i>0.063</i>	+0.000/-0.025	+0.000/-0.025	+0.127/-0.127	
# BF00635-01270-0032-SB	6.35 <i>0.250</i>	12.703 <i>0.500</i>	3.175 <i>0.125</i>	6.355 <i>0.250</i>	13.89 <i>0.547</i>	0.58 <i>0.023</i>	+0.005/-0.005	+0.000/-0.013	+0.000/-0.127	
BF00635-01270-0048-SB	6.35 <i>0.250</i>	12.703 <i>0.500</i>	4.763 <i>0.188</i>	6.355 <i>0.250</i>	13.89 <i>0.547</i>	1.14 <i>0.045</i>	+0.005/-0.005	+0.000/-0.013	+0.000/-0.127	
# BF00635-01278-0159-SB	6.35 <i>0.250</i>	12.776 <i>0.503</i>	15.875 <i>0.625</i>	6.401 <i>0.252</i>	15.88 <i>0.625</i>	1.59 <i>0.063</i>	+0.000/-0.025	+0.000/-0.025	+0.127/-0.127	
# BF00635-01278-0191-SB	6.35 <i>0.250</i>	12.776 <i>0.503</i>	19.05 <i>0.750</i>	6.401 <i>0.252</i>	15.88 <i>0.625</i>	1.59 <i>0.063</i>	+0.000/-0.025	+0.000/-0.025	+0.127/-0.127	
# BF00635-01588-0050-SB	6.35 <i>0.250</i>	15.878 <i>0.625</i>	4.978 <i>0.196</i>	6.355 <i>0.250</i>	17.53 <i>0.690</i>	1.07 <i>0.042</i>	+0.005/-0.005	+0.000/-0.013	+0.000/-0.127	
# BF00700-01200-0080-SB	7 <i>0.276</i>	12 <i>0.472</i>	8 <i>0.315</i>	7 <i>0.276</i>	16 <i>0.630</i>	3 <i>0.118</i>	+0.040/+0.025	+0.041/+0.023	+0.000/-0.200	

Indicates item not stocked at time of printing - Please enquire for lead time

E&OE Pricing and all details subject to change without notice - Copyright Miniature Bearings Australia Pty Ltd

MBA Size Listings are a guide to sizes only and must not be solely relied on for critical design information.

Bushes - Bronze - Sintered - Flanged

Part Number	Nominal Shaft Size mm	OD (D) mm	Length (S) mm	Actual ID (d) mm	Flange OD (D1) mm	Flange Thickness (S1) mm	ID Tolerance mm	OD Tolerance mm	Length Tolerance mm	Comments
	<i>inches</i>	<i>inches</i>	<i>inches</i>	<i>inches</i>	<i>inches</i>	<i>inches</i>	<i>inches</i>	<i>inches</i>	<i>inches</i>	
# BF00714-00963-0056-SBU	7.1438	9.627	5.558	7.137	12.7	2.41	+0.025/-0.000	+0.000/-0.025	+0.127/-0.127	Undersized Bore
	<i>0.281</i>	<i>0.379</i>	<i>0.219</i>	<i>0.281</i>	<i>0.500</i>	<i>0.095</i>				
BF00794-00958-0095-SB	7.9375	9.576	9.525	7.976	12.7	1.19	+0.000/-0.025	+0.000/-0.025	+0.127/-0.127	
	<i>0.313</i>	<i>0.377</i>	<i>0.375</i>	<i>0.314</i>	<i>0.500</i>	<i>0.047</i>				
BF00794-01115-0095-SB	7.9375	11.151	9.525	7.976	15.88	2.38	+0.000/-0.025	+0.000/-0.025	+0.127/-0.127	
	<i>0.313</i>	<i>0.439</i>	<i>0.375</i>	<i>0.314</i>	<i>0.625</i>	<i>0.094</i>				
# BF00794-01115-0191-SB	7.9375	11.151	19.05	7.976	15.88	2.38	+0.000/-0.025	+0.000/-0.025	+0.127/-0.127	
	<i>0.313</i>	<i>0.439</i>	<i>0.750</i>	<i>0.314</i>	<i>0.625</i>	<i>0.094</i>				
# BF00794-01118-0095-SB	7.9375	11.176	9.525	7.938	14.29	1.59	+0.000/-0.025	+0.000/-0.025	+0.127/-0.127	
	<i>0.313</i>	<i>0.440</i>	<i>0.375</i>	<i>0.313</i>	<i>0.563</i>	<i>0.063</i>				
# BF00794-01118-0127-SB	7.9375	11.176	12.7	7.938	14.29	1.59	+0.000/-0.025	+0.000/-0.025	+0.127/-0.127	
	<i>0.313</i>	<i>0.440</i>	<i>0.500</i>	<i>0.313</i>	<i>0.563</i>	<i>0.063</i>				
# BF00794-01118-0222-SB	7.9375	11.176	22.225	7.938	14.29	1.59	+0.000/-0.025	+0.000/-0.025	+0.127/-0.127	
	<i>0.313</i>	<i>0.440</i>	<i>0.875</i>	<i>0.313</i>	<i>0.563</i>	<i>0.063</i>				
BF00794-01275-0095-SB	7.9375	12.751	9.525	7.963	14.29	1.59	+0.000/-0.025	+0.000/-0.025	+0.127/-0.127	
	<i>0.313</i>	<i>0.502</i>	<i>0.375</i>	<i>0.314</i>	<i>0.563</i>	<i>0.063</i>				
# BF00794-01275-0095-SBO	7.9375	12.751	9.525	7.976	17.46	2.38	+0.000/-0.025	+0.000/-0.025	+0.127/-0.127	
	<i>0.313</i>	<i>0.502</i>	<i>0.375</i>	<i>0.314</i>	<i>0.687</i>	<i>0.094</i>				
# BF00794-01275-0127-SB	7.9375	12.751	12.7	7.976	17.46	2.38	+0.000/-0.025	+0.000/-0.025	+0.127/-0.127	
	<i>0.313</i>	<i>0.502</i>	<i>0.500</i>	<i>0.314</i>	<i>0.687</i>	<i>0.094</i>				

Indicates item not stocked at time of printing - Please enquire for lead time

E&OE Pricing and all details subject to change without notice - Copyright Miniature Bearings Australia Pty Ltd

MBA Size Listings are a guide to sizes only and must not be solely relied on for critical design information.

Bushes - Bronze - Sintered - Flanged

Part Number	Nominal Shaft Size mm	OD (D) mm	Length (S) mm	Actual ID (d) mm	Flange OD (D1) mm	Flange Thickness (S1) mm	ID Tolerance mm	OD Tolerance mm	Length Tolerance mm	Comments
	<i>inches</i>	<i>inches</i>	<i>inches</i>	<i>inches</i>	<i>inches</i>	<i>inches</i>	<i>inches</i>	<i>inches</i>	<i>inches</i>	
# BF00794-01275-0159-SB	7.9375 <i>0.313</i>	12.751 <i>0.502</i>	15.875 <i>0.625</i>	7.976 <i>0.314</i>	17.46 <i>0.687</i>	2.38 <i>0.094</i>	+0.000/-0.025	+0.000/-0.025	+0.127/-0.127	
# BF00794-01280-0123-SB	7.9375 <i>0.313</i>	12.802 <i>0.504</i>	12.314 <i>0.485</i>	7.938 <i>0.313</i>	14.27 <i>0.562</i>	1.65 <i>0.065</i>	+0.025/-0.000	+0.000/-0.025	+0.127/-0.127	
# BF00794-01747-0064-SB	7.9375 <i>0.313</i>	17.465 <i>0.688</i>	6.35 <i>0.250</i>	7.943 <i>0.313</i>	19.05 <i>0.750</i>	1.07 <i>0.042</i>	+0.005/-0.005	+0.000/-0.013	+0.000/-0.127	
BF00800-01200-0080-SB	8 <i>0.315</i>	12 <i>0.472</i>	8 <i>0.315</i>	8 <i>0.315</i>	16 <i>0.630</i>	3 <i>0.118</i>	+0.040/+0.025	+0.041/+0.023	+0.000/-0.200	
# BF00800-01600-0060-SB	8 <i>0.315</i>	16 <i>0.630</i>	6 <i>0.236</i>	8 <i>0.315</i>	18 <i>0.709</i>	1 <i>0.039</i>	+0.015/-0.000	+0.000/-0.011	+0.000/-0.178	
# BF00953-01275-0064-SB	9.525 <i>0.375</i>	12.751 <i>0.502</i>	6.35 <i>0.250</i>	9.563 <i>0.376</i>	15.88 <i>0.625</i>	1.59 <i>0.063</i>	+0.000/-0.025	+0.000/-0.025	+0.127/-0.127	
# BF00953-01275-0079-SB	9.525 <i>0.375</i>	12.751 <i>0.502</i>	7.938 <i>0.313</i>	9.563 <i>0.376</i>	15.88 <i>0.625</i>	1.59 <i>0.063</i>	+0.000/-0.025	+0.000/-0.025	+0.127/-0.127	
# BF00953-01275-0095-SBO	9.525 <i>0.375</i>	12.751 <i>0.502</i>	9.525 <i>0.375</i>	9.576 <i>0.377</i>	17.46 <i>0.687</i>	2.38 <i>0.094</i>	+0.000/-0.025	+0.000/-0.025	+0.127/-0.127	
BF00953-01275-0095-SB	9.525 <i>0.375</i>	12.751 <i>0.502</i>	9.525 <i>0.375</i>	9.563 <i>0.376</i>	15.88 <i>0.625</i>	1.59 <i>0.063</i>	+0.000/-0.025	+0.000/-0.025	+0.127/-0.127	
# BF00953-01275-0103-SB	9.525 <i>0.375</i>	12.751 <i>0.502</i>	10.319 <i>0.406</i>	9.576 <i>0.377</i>	17.46 <i>0.687</i>	2.38 <i>0.094</i>	+0.000/-0.025	+0.000/-0.025	+0.127/-0.127	

Indicates item not stocked at time of printing - Please enquire for lead time

E&OE Pricing and all details subject to change without notice - Copyright Miniature Bearings Australia Pty Ltd

MBA Size Listings are a guide to sizes only and must not be solely relied on for critical design information.

Bushes - Bronze - Sintered - Flanged

Part Number	Nominal Shaft Size mm	OD (D) mm	Length (S) mm	Actual ID (d) mm	Flange OD (D1) mm	Flange Thickness (S1) mm	ID Tolerance mm	OD Tolerance mm	Length Tolerance mm	Comments
	<i>inches</i>	<i>inches</i>	<i>inches</i>	<i>inches</i>	<i>inches</i>	<i>inches</i>	<i>inches</i>	<i>inches</i>	<i>inches</i>	
# BF00953-01275-0127-SB	9.525 <i>0.375</i>	12.751 <i>0.502</i>	12.7 <i>0.500</i>	9.563 <i>0.376</i>	15.88 <i>0.625</i>	1.59 <i>0.063</i>	+0.000/-0.025	+0.000/-0.025	+0.127/-0.127	
# BF00953-01275-0127-SBO	9.525 <i>0.375</i>	12.751 <i>0.502</i>	12.7 <i>0.500</i>	9.576 <i>0.377</i>	17.46 <i>0.687</i>	2.38 <i>0.094</i>	+0.000/-0.025	+0.000/-0.025	+0.127/-0.127	
# BF00953-01275-0159-SB	9.525 <i>0.375</i>	12.751 <i>0.502</i>	15.875 <i>0.625</i>	9.576 <i>0.377</i>	17.46 <i>0.687</i>	2.38 <i>0.094</i>	+0.000/-0.025	+0.000/-0.025	+0.127/-0.127	
# BF00953-01275-0191-SB	9.525 <i>0.375</i>	12.751 <i>0.502</i>	19.05 <i>0.750</i>	9.576 <i>0.377</i>	17.46 <i>0.687</i>	2.38 <i>0.094</i>	+0.000/-0.025	+0.000/-0.025	+0.127/-0.127	
# BF00953-01275-0254-SB	9.525 <i>0.375</i>	12.751 <i>0.502</i>	25.4 <i>1.000</i>	9.576 <i>0.377</i>	17.46 <i>0.687</i>	2.38 <i>0.094</i>	+0.000/-0.025	+0.000/-0.025	+0.127/-0.127	
# BF00953-01275-0318-SB	9.525 <i>0.375</i>	12.751 <i>0.502</i>	31.75 <i>1.250</i>	9.576 <i>0.377</i>	17.46 <i>0.687</i>	2.38 <i>0.094</i>	+0.000/-0.025	+0.000/-0.025	+0.127/-0.127	
# BF00953-01278-0127-SB	9.525 <i>0.375</i>	12.776 <i>0.503</i>	12.7 <i>0.500</i>	9.563 <i>0.376</i>	15.88 <i>0.625</i>	2.38 <i>0.094</i>	+0.000/-0.025	+0.000/-0.025	+0.127/-0.127	
# BF00953-01278-0127-SBO	9.525 <i>0.375</i>	12.776 <i>0.503</i>	12.7 <i>0.500</i>	9.601 <i>0.378</i>	19.05 <i>0.750</i>	2.38 <i>0.094</i>	+0.000/-0.025	+0.000/-0.025	+0.127/-0.127	
# BF00953-01278-0159-SB	9.525 <i>0.375</i>	12.776 <i>0.503</i>	15.875 <i>0.625</i>	9.563 <i>0.376</i>	15.88 <i>0.625</i>	2.38 <i>0.094</i>	+0.000/-0.025	+0.000/-0.025	+0.127/-0.127	
BF00953-01280-0103-SB	9.525 <i>0.375</i>	12.802 <i>0.504</i>	10.262 <i>0.404</i>	9.525 <i>0.375</i>	14.27 <i>0.562</i>	1.65 <i>0.065</i>	+0.025/-0.000	+0.000/-0.025	+0.127/-0.127	

Indicates item not stocked at time of printing - Please enquire for lead time

E&OE Pricing and all details subject to change without notice - Copyright Miniature Bearings Australia Pty Ltd

MBA Size Listings are a guide to sizes only and must not be solely relied on for critical design information.

Bushes - Bronze - Sintered - Flanged

Part Number	Nominal Shaft Size mm	OD (D) mm	Length (S) mm	Actual ID (d) mm	Flange OD (D1) mm	Flange Thickness (S1) mm	ID Tolerance mm	OD Tolerance mm	Length Tolerance mm	Comments
	<i>inches</i>	<i>inches</i>	<i>inches</i>	<i>inches</i>	<i>inches</i>	<i>inches</i>	<i>inches</i>	<i>inches</i>	<i>inches</i>	
# BF00953-01280-0177-SB	9.525 <i>0.375</i>	12.802 <i>0.504</i>	17.678 <i>0.696</i>	9.55 <i>0.376</i>	14.27 <i>0.562</i>	1.65 <i>0.065</i>	+0.025/-0.000	+0.000/-0.025	+0.000/-0.152	
# BF00953-01433-0127-SB	9.525 <i>0.375</i>	14.326 <i>0.564</i>	12.7 <i>0.500</i>	9.55 <i>0.376</i>	18.8 <i>0.740</i>	1.59 <i>0.063</i>	+0.000/-0.025	+0.000/-0.025	+0.127/-0.127	
# BF00953-01433-0175-SB	9.525 <i>0.375</i>	14.326 <i>0.564</i>	17.463 <i>0.688</i>	9.55 <i>0.376</i>	18.8 <i>0.740</i>	1.59 <i>0.063</i>	+0.000/-0.025	+0.000/-0.025	+0.127/-0.127	
# BF00953-01433-0232-SB	9.525 <i>0.375</i>	14.326 <i>0.564</i>	23.178 <i>0.913</i>	9.55 <i>0.376</i>	18.8 <i>0.740</i>	1.59 <i>0.063</i>	+0.000/-0.025	+0.000/-0.025	+0.127/-0.127	
# BF00953-01434-0191-SB	9.525 <i>0.375</i>	14.338 <i>0.564</i>	19.05 <i>0.750</i>	9.576 <i>0.377</i>	19.05 <i>0.750</i>	3.18 <i>0.125</i>	+0.000/-0.025	+0.000/-0.025	+0.127/-0.127	
BF00953-01434-0318-SB	9.525 <i>0.375</i>	14.338 <i>0.564</i>	31.75 <i>1.250</i>	9.576 <i>0.377</i>	19.05 <i>0.750</i>	3.18 <i>0.125</i>	+0.000/-0.025	+0.000/-0.025	+0.127/-0.127	
# BF00953-01438-0168-SB	9.525 <i>0.375</i>	14.376 <i>0.566</i>	16.764 <i>0.660</i>	9.55 <i>0.376</i>	19.05 <i>0.750</i>	2.36 <i>0.093</i>	+0.025/-0.000	+0.000/-0.025	+0.127/-0.127	
# BF00953-01593-0127-SB	9.525 <i>0.375</i>	15.926 <i>0.627</i>	12.7 <i>0.500</i>	9.55 <i>0.376</i>	22.23 <i>0.875</i>	1.59 <i>0.063</i>	+0.000/-0.025	+0.000/-0.025	+0.127/-0.127	
# BF00953-01593-0127-SBO	9.525 <i>0.375</i>	15.926 <i>0.627</i>	12.7 <i>0.500</i>	9.576 <i>0.377</i>	22.23 <i>0.875</i>	3.18 <i>0.125</i>	+0.000/-0.025	+0.000/-0.025	+0.127/-0.127	
# BF00953-01593-0191-SBO	9.525 <i>0.375</i>	15.926 <i>0.627</i>	19.05 <i>0.750</i>	9.576 <i>0.377</i>	22.23 <i>0.875</i>	3.18 <i>0.125</i>	+0.000/-0.025	+0.000/-0.025	+0.127/-0.127	

Indicates item not stocked at time of printing - Please enquire for lead time

E&OE Pricing and all details subject to change without notice - Copyright Miniature Bearings Australia Pty Ltd

MBA Size Listings are a guide to sizes only and must not be solely relied on for critical design information.

Bushes - Bronze - Sintered - Flanged

Part Number	Nominal Shaft Size mm	OD (D) mm	Length (S) mm	Actual ID (d) mm	Flange OD (D1) mm	Flange Thickness (S1) mm	ID Tolerance mm	OD Tolerance mm	Length Tolerance mm	Comments
	<i>inches</i>	<i>inches</i>	<i>inches</i>	<i>inches</i>	<i>inches</i>	<i>inches</i>	<i>inches</i>	<i>inches</i>	<i>inches</i>	
# BF00953-01593-0191-SB	9.525 <i>0.375</i>	15.926 <i>0.627</i>	19.05 <i>0.750</i>	9.55 <i>0.376</i>	22.23 <i>0.875</i>	1.59 <i>0.063</i>	+0.000/-0.025	+0.000/-0.025	+0.127/-0.127	
BF00953-01593-0254-SB	9.525 <i>0.375</i>	15.926 <i>0.627</i>	25.4 <i>1.000</i>	9.576 <i>0.377</i>	22.23 <i>0.875</i>	3.18 <i>0.125</i>	+0.000/-0.025	+0.000/-0.025	+0.127/-0.127	
# BF00953-01593-0318-SB	9.525 <i>0.375</i>	15.926 <i>0.627</i>	31.75 <i>1.250</i>	9.55 <i>0.376</i>	22.23 <i>0.875</i>	1.59 <i>0.063</i>	+0.000/-0.025	+0.000/-0.025	+0.127/-0.127	
# BF00953-01593-0318-SBO	9.525 <i>0.375</i>	15.926 <i>0.627</i>	31.75 <i>1.250</i>	9.576 <i>0.377</i>	22.23 <i>0.875</i>	3.18 <i>0.125</i>	+0.000/-0.025	+0.000/-0.025	+0.127/-0.127	
# BF00953-01598-0155-SB	9.525 <i>0.375</i>	15.977 <i>0.629</i>	15.494 <i>0.610</i>	9.576 <i>0.377</i>	22.23 <i>0.875</i>	1.6 <i>0.063</i>	+0.025/-0.000	+0.000/-0.025	+0.000/+0.025	
# BF00953-01913-0127-SB	9.525 <i>0.375</i>	19.126 <i>0.753</i>	12.7 <i>0.500</i>	9.576 <i>0.377</i>	25.4 <i>1.000</i>	3.18 <i>0.125</i>	+0.000/-0.025	+0.000/-0.025	+0.127/-0.127	
BF01000-01600-0080-SB	10 <i>0.394</i>	16 <i>0.630</i>	8 <i>0.315</i>	10 <i>0.394</i>	20 <i>0.787</i>	3 <i>0.118</i>	+0.040/+0.025	+0.041/+0.023	+0.000/-0.200	
BF01000-01600-0100-SB	10 <i>0.394</i>	16 <i>0.630</i>	10 <i>0.394</i>	10 <i>0.394</i>	20 <i>0.787</i>	3 <i>0.118</i>	+0.040/+0.025	+0.041/+0.023	+0.000/-0.200	
# BF01000-01900-0070-SB	10 <i>0.394</i>	19 <i>0.748</i>	7 <i>0.276</i>	10 <i>0.394</i>	21 <i>0.827</i>	1.5 <i>0.059</i>	+0.015/-0.000	+0.000/-0.013	+0.000/-0.178	
# BF01111-01280-0039-SB	11.1125 <i>0.438</i>	12.802 <i>0.504</i>	3.912 <i>0.154</i>	11.125 <i>0.438</i>	14.27 <i>0.562</i>	1.96 <i>0.077</i>	+0.025/-0.000	+0.000/-0.025	+0.000/-0.127	

Indicates item not stocked at time of printing - Please enquire for lead time

E&OE Pricing and all details subject to change without notice - Copyright Miniature Bearings Australia Pty Ltd

MBA Size Listings are a guide to sizes only and must not be solely relied on for critical design information.

Bushes - Bronze - Sintered - Flanged

Part Number	Nominal Shaft Size mm	OD (D) mm	Length (S) mm	Actual ID (d) mm	Flange OD (D1) mm	Flange Thickness (S1) mm	ID Tolerance mm	OD Tolerance mm	Length Tolerance mm	Comments
	<i>inches</i>	<i>inches</i>	<i>inches</i>	<i>inches</i>	<i>inches</i>	<i>inches</i>	<i>inches</i>	<i>inches</i>	<i>inches</i>	
# BF01111-01435-0127-SB	11.1125 <i>0.438</i>	14.351 <i>0.565</i>	12.7 <i>0.500</i>	11.151 <i>0.439</i>	17.46 <i>0.687</i>	1.59 <i>0.063</i>	+0.000/-0.025	+0.000/-0.025	+0.127/-0.127	
# BF01111-01435-0159-SB	11.1125 <i>0.438</i>	14.351 <i>0.565</i>	15.875 <i>0.625</i>	11.151 <i>0.439</i>	17.46 <i>0.687</i>	1.59 <i>0.063</i>	+0.000/-0.025	+0.000/-0.025	+0.127/-0.127	
# BF01111-01435-0191-SB	11.1125 <i>0.438</i>	14.351 <i>0.565</i>	19.05 <i>0.750</i>	11.151 <i>0.439</i>	17.46 <i>0.687</i>	1.59 <i>0.063</i>	+0.000/-0.025	+0.000/-0.025	+0.127/-0.127	
# BF01111-01436-0071-SB	11.1125 <i>0.438</i>	14.364 <i>0.566</i>	7.137 <i>0.281</i>	11.125 <i>0.438</i>	19.84 <i>0.781</i>	1.65 <i>0.065</i>	+0.025/-0.000	+0.000/-0.025	+0.127/-0.127	
BF01111-01436-0139-SB	11.1125 <i>0.438</i>	14.364 <i>0.566</i>	13.868 <i>0.546</i>	11.125 <i>0.438</i>	19.84 <i>0.781</i>	1.65 <i>0.065</i>	+0.025/-0.000	+0.000/-0.025	+0.127/-0.127	
# BF01111-01593-0191-SB	11.1125 <i>0.438</i>	15.926 <i>0.627</i>	19.05 <i>0.750</i>	11.138 <i>0.439</i>	22.23 <i>0.875</i>	3.18 <i>0.125</i>	+0.000/-0.025	+0.000/-0.025	+0.127/-0.127	
# BF01111-01593-0318-SB	11.1125 <i>0.438</i>	15.926 <i>0.627</i>	31.75 <i>1.250</i>	11.138 <i>0.439</i>	22.23 <i>0.875</i>	3.18 <i>0.125</i>	+0.000/-0.025	+0.000/-0.025	+0.127/-0.127	
# BF01111-01595-0159-SB	11.1125 <i>0.438</i>	15.951 <i>0.628</i>	15.875 <i>0.625</i>	11.151 <i>0.439</i>	22.23 <i>0.875</i>	3.18 <i>0.125</i>	+0.000/-0.025	+0.000/-0.025	+0.127/-0.127	
# BF01111-01595-0318-SB	11.1125 <i>0.438</i>	15.951 <i>0.628</i>	31.75 <i>1.250</i>	11.151 <i>0.439</i>	22.23 <i>0.875</i>	3.18 <i>0.125</i>	+0.000/-0.025	+0.000/-0.025	+0.127/-0.127	
# BF01111-01915-0159-SB	11.1125 <i>0.438</i>	19.152 <i>0.754</i>	15.875 <i>0.625</i>	11.125 <i>0.438</i>	22.23 <i>0.875</i>	1.65 <i>0.065</i>	+0.025/-0.000	+0.000/-0.025	+0.127/-0.127	

Indicates item not stocked at time of printing - Please enquire for lead time

E&OE Pricing and all details subject to change without notice - Copyright Miniature Bearings Australia Pty Ltd

MBA Size Listings are a guide to sizes only and must not be solely relied on for critical design information.

Bushes - Bronze - Sintered - Flanged

Part Number	Nominal Shaft Size mm	OD (D) mm	Length (S) mm	Actual ID (d) mm	Flange OD (D1) mm	Flange Thickness (S1) mm	ID Tolerance mm	OD Tolerance mm	Length Tolerance mm	Comments
	<i>inches</i>	<i>inches</i>	<i>inches</i>	<i>inches</i>	<i>inches</i>	<i>inches</i>	<i>inches</i>	<i>inches</i>	<i>inches</i>	
BF01200-01800-0100-SB	12 <i>0.472</i>	18 <i>0.709</i>	10 <i>0.394</i>	12 <i>0.472</i>	22 <i>0.866</i>	3 <i>0.118</i>	+0.040/+0.025	+0.041/+0.023	+0.000/-0.200	
# BF01200-01800-0120-SB	12 <i>0.472</i>	18 <i>0.709</i>	12 <i>0.472</i>	12 <i>0.472</i>	22 <i>0.866</i>	3 <i>0.118</i>	+0.050/+0.032	+0.041/+0.023	+0.000/-0.200	
# BF01200-02000-0080-SB	12 <i>0.472</i>	20 <i>0.787</i>	8 <i>0.315</i>	12 <i>0.472</i>	22 <i>0.866</i>	1.5 <i>0.059</i>	+0.018/-0.000	+0.000/-0.013	+0.000/-0.178	
# BF01270-01593-0079-SB	12.7 <i>0.500</i>	15.926 <i>0.627</i>	7.938 <i>0.313</i>	12.751 <i>0.502</i>	19.05 <i>0.750</i>	2.38 <i>0.094</i>	+0.000/-0.025	+0.000/-0.025	+0.127/-0.127	
# BF01270-01593-0095-SB	12.7 <i>0.500</i>	15.926 <i>0.627</i>	9.525 <i>0.375</i>	12.751 <i>0.502</i>	19.05 <i>0.750</i>	2.38 <i>0.094</i>	+0.000/-0.025	+0.000/-0.025	+0.127/-0.127	
# BF01270-01593-0127-SB	12.7 <i>0.500</i>	15.926 <i>0.627</i>	12.7 <i>0.500</i>	12.751 <i>0.502</i>	22.23 <i>0.875</i>	1.59 <i>0.063</i>	+0.000/-0.025	+0.000/-0.025	+0.127/-0.127	
# BF01270-01593-0143-SB	12.7 <i>0.500</i>	15.926 <i>0.627</i>	14.288 <i>0.563</i>	12.751 <i>0.502</i>	22.23 <i>0.875</i>	1.59 <i>0.063</i>	+0.000/-0.025	+0.000/-0.025	+0.127/-0.127	
# BF01270-01593-0159-SB	12.7 <i>0.500</i>	15.926 <i>0.627</i>	15.875 <i>0.625</i>	12.751 <i>0.502</i>	22.23 <i>0.875</i>	1.59 <i>0.063</i>	+0.000/-0.025	+0.000/-0.025	+0.127/-0.127	
# BF01270-01593-0175-SB	12.7 <i>0.500</i>	15.926 <i>0.627</i>	17.463 <i>0.688</i>	12.751 <i>0.502</i>	22.23 <i>0.875</i>	1.59 <i>0.063</i>	+0.000/-0.025	+0.000/-0.025	+0.127/-0.127	
# BF01270-01593-0191-SB	12.7 <i>0.500</i>	15.926 <i>0.627</i>	19.05 <i>0.750</i>	12.751 <i>0.502</i>	22.23 <i>0.875</i>	1.59 <i>0.063</i>	+0.000/-0.025	+0.000/-0.025	+0.127/-0.127	

Indicates item not stocked at time of printing - Please enquire for lead time

E&OE Pricing and all details subject to change without notice - Copyright Miniature Bearings Australia Pty Ltd

MBA Size Listings are a guide to sizes only and must not be solely relied on for critical design information.

Bushes - Bronze - Sintered - Flanged

Part Number	Nominal Shaft Size mm	OD (D) mm	Length (S) mm	Actual ID (d) mm	Flange OD (D1) mm	Flange Thickness (S1) mm	ID Tolerance mm	OD Tolerance mm	Length Tolerance mm	Comments
	<i>inches</i>	<i>inches</i>	<i>inches</i>	<i>inches</i>	<i>inches</i>	<i>inches</i>	<i>inches</i>	<i>inches</i>	<i>inches</i>	
# BF01270-01593-0238-SB	12.7 <i>0.500</i>	15.926 <i>0.627</i>	23.813 <i>0.938</i>	12.751 <i>0.502</i>	22.23 <i>0.875</i>	1.59 <i>0.063</i>	+0.000/-0.025	+0.000/-0.025	+0.127/-0.127	
# BF01270-01593-0254-SB	12.7 <i>0.500</i>	15.926 <i>0.627</i>	25.4 <i>1.000</i>	12.751 <i>0.502</i>	22.23 <i>0.875</i>	1.59 <i>0.063</i>	+0.000/-0.025	+0.000/-0.025	+0.127/-0.127	
# BF01270-01593-0286-SB	12.7 <i>0.500</i>	15.926 <i>0.627</i>	28.575 <i>1.125</i>	12.751 <i>0.502</i>	22.23 <i>0.875</i>	1.59 <i>0.063</i>	+0.000/-0.025	+0.000/-0.025	+0.127/-0.127	
# BF01270-01593-0445-SB	12.7 <i>0.500</i>	15.926 <i>0.627</i>	44.45 <i>1.750</i>	12.751 <i>0.502</i>	24.61 <i>0.969</i>	2.38 <i>0.094</i>	+0.000/-0.025	+0.000/-0.025	+0.190/-0.190	
# BF01270-01595-0050-SB	12.7 <i>0.500</i>	15.951 <i>0.628</i>	5.029 <i>0.198</i>	12.7 <i>0.500</i>	22.1 <i>0.870</i>	1.07 <i>0.042</i>	+0.025/-0.000	+0.000/-0.025	+0.000/-0.152	
BF01270-01595-0095-SB	12.7 <i>0.500</i>	15.951 <i>0.628</i>	9.525 <i>0.375</i>	12.751 <i>0.502</i>	22.23 <i>0.875</i>	3.18 <i>0.125</i>	+0.000/-0.025	+0.000/-0.025	+0.127/-0.127	
# BF01270-01595-0127-SB	12.7 <i>0.500</i>	15.951 <i>0.628</i>	12.7 <i>0.500</i>	12.751 <i>0.502</i>	22.23 <i>0.875</i>	3.18 <i>0.125</i>	+0.000/-0.025	+0.000/-0.025	+0.127/-0.127	
BF01270-01595-0159-SB	12.7 <i>0.500</i>	15.951 <i>0.628</i>	15.875 <i>0.625</i>	12.751 <i>0.502</i>	22.23 <i>0.875</i>	3.18 <i>0.125</i>	+0.000/-0.025	+0.000/-0.025	+0.127/-0.127	
# BF01270-01595-0191-SB	12.7 <i>0.500</i>	15.951 <i>0.628</i>	19.05 <i>0.750</i>	12.751 <i>0.502</i>	22.23 <i>0.875</i>	3.18 <i>0.125</i>	+0.000/-0.025	+0.000/-0.025	+0.127/-0.127	
# BF01270-01595-0254-SB	12.7 <i>0.500</i>	15.951 <i>0.628</i>	25.4 <i>1.000</i>	12.751 <i>0.502</i>	22.23 <i>0.875</i>	3.18 <i>0.125</i>	+0.000/-0.025	+0.000/-0.025	+0.127/-0.127	

Indicates item not stocked at time of printing - Please enquire for lead time

E&OE Pricing and all details subject to change without notice - Copyright Miniature Bearings Australia Pty Ltd

MBA Size Listings are a guide to sizes only and must not be solely relied on for critical design information.

Bushes - Bronze - Sintered - Flanged

Part Number	Nominal Shaft Size mm	OD (D) mm	Length (S) mm	Actual ID (d) mm	Flange OD (D1) mm	Flange Thickness (S1) mm	ID Tolerance mm	OD Tolerance mm	Length Tolerance mm	Comments
	<i>inches</i>	<i>inches</i>	<i>inches</i>	<i>inches</i>	<i>inches</i>	<i>inches</i>	<i>inches</i>	<i>inches</i>	<i>inches</i>	
# BF01270-01595-0318-SB	12.7 <i>0.500</i>	15.951 <i>0.628</i>	31.75 <i>1.250</i>	12.751 <i>0.502</i>	22.23 <i>0.875</i>	3.18 <i>0.125</i>	+0.000/-0.025	+0.000/-0.025	+0.127/-0.127	
# BF01270-01595-0381-SB	12.7 <i>0.500</i>	15.951 <i>0.628</i>	38.1 <i>1.500</i>	12.751 <i>0.502</i>	22.23 <i>0.875</i>	3.18 <i>0.125</i>	+0.000/-0.025	+0.000/-0.025	+0.127/-0.127	
# BF01270-01595-0445-SB	12.7 <i>0.500</i>	15.951 <i>0.628</i>	44.45 <i>1.750</i>	12.751 <i>0.502</i>	22.23 <i>0.875</i>	3.18 <i>0.125</i>	+0.000/-0.025	+0.000/-0.025	+0.190/-0.190	
# BF01270-01598-0035-SB	12.7 <i>0.500</i>	15.977 <i>0.629</i>	3.531 <i>0.139</i>	12.725 <i>0.501</i>	22.23 <i>0.875</i>	1.27 <i>0.050</i>	+0.025/-0.000	+0.000/-0.025	+0.000/-0.076	
# BF01270-01598-0064-SB	12.7 <i>0.500</i>	15.977 <i>0.629</i>	6.35 <i>0.250</i>	12.725 <i>0.501</i>	20.62 <i>0.812</i>	2.41 <i>0.095</i>	+0.025/-0.000	+0.000/-0.025	+0.127/-0.127	
# BF01270-01598-0078-SB	12.7 <i>0.500</i>	15.977 <i>0.629</i>	7.798 <i>0.307</i>	12.725 <i>0.501</i>	22.23 <i>0.875</i>	1.65 <i>0.065</i>	+0.025/-0.000	+0.000/-0.025	+0.127/-0.127	
# BF01270-01598-0143-SB	12.7 <i>0.500</i>	15.977 <i>0.629</i>	14.275 <i>0.562</i>	12.725 <i>0.501</i>	22.23 <i>0.875</i>	1.65 <i>0.065</i>	+0.025/-0.000	+0.000/-0.025	+0.127/-0.127	
# BF01270-01753-0127-SB	12.7 <i>0.500</i>	17.526 <i>0.690</i>	12.7 <i>0.500</i>	12.751 <i>0.502</i>	23.81 <i>0.937</i>	3.18 <i>0.125</i>	+0.000/-0.025	+0.000/-0.025	+0.127/-0.127	
# BF01270-01753-0127-SBOF	12.7 <i>0.500</i>	17.526 <i>0.690</i>	12.7 <i>0.500</i>	12.751 <i>0.502</i>	23.84 <i>0.939</i>	3.18 <i>0.125</i>	+0.000/-0.025	+0.000/-0.025	+0.127/-0.127	
# BF01270-01753-0191-SB	12.7 <i>0.500</i>	17.526 <i>0.690</i>	19.05 <i>0.750</i>	12.751 <i>0.502</i>	23.81 <i>0.937</i>	3.18 <i>0.125</i>	+0.000/-0.025	+0.000/-0.025	+0.127/-0.127	

Indicates item not stocked at time of printing - Please enquire for lead time

E&OE Pricing and all details subject to change without notice - Copyright Miniature Bearings Australia Pty Ltd

MBA Size Listings are a guide to sizes only and must not be solely relied on for critical design information.

Bushes - Bronze - Sintered - Flanged

Part Number	Nominal Shaft Size mm	OD (D) mm	Length (S) mm	Actual ID (d) mm	Flange OD (D1) mm	Flange Thickness (S1) mm	ID Tolerance mm	OD Tolerance mm	Length Tolerance mm	Comments
	<i>inches</i>	<i>inches</i>	<i>inches</i>	<i>inches</i>	<i>inches</i>	<i>inches</i>	<i>inches</i>	<i>inches</i>	<i>inches</i>	
# BF01270-01753-0191-SBOF	12.7 <i>0.500</i>	17.526 <i>0.690</i>	19.05 <i>0.750</i>	12.751 <i>0.502</i>	23.84 <i>0.939</i>	3.18 <i>0.125</i>	+0.000/-0.025	+0.000/-0.025	+0.127/-0.127	
# BF01270-01755-0079-SB	12.7 <i>0.500</i>	17.551 <i>0.691</i>	7.938 <i>0.313</i>	12.751 <i>0.502</i>	20.64 <i>0.813</i>	1.59 <i>0.063</i>	+0.000/-0.025	+0.000/-0.025	+0.127/-0.127	
# BF01270-01755-0127-SB	12.7 <i>0.500</i>	17.551 <i>0.691</i>	12.7 <i>0.500</i>	12.751 <i>0.502</i>	20.64 <i>0.813</i>	1.59 <i>0.063</i>	+0.000/-0.025	+0.000/-0.025	+0.127/-0.127	
# BF01270-01755-0191-SB	12.7 <i>0.500</i>	17.551 <i>0.691</i>	19.05 <i>0.750</i>	12.751 <i>0.502</i>	20.64 <i>0.813</i>	1.59 <i>0.063</i>	+0.000/-0.025	+0.000/-0.025	+0.127/-0.127	
# BF01270-01755-0206-SB	12.7 <i>0.500</i>	17.551 <i>0.691</i>	20.638 <i>0.813</i>	12.751 <i>0.502</i>	20.64 <i>0.813</i>	1.59 <i>0.063</i>	+0.000/-0.025	+0.000/-0.025	+0.127/-0.127	
# BF01270-01913-0095-SB	12.7 <i>0.500</i>	19.126 <i>0.753</i>	9.525 <i>0.375</i>	12.827 <i>0.505</i>	25.4 <i>1.000</i>	3.18 <i>0.125</i>	+0.000/-0.025	+0.000/-0.025	+0.127/-0.127	
BF01270-01913-0127-SBOF	12.7 <i>0.500</i>	19.126 <i>0.753</i>	12.7 <i>0.500</i>	12.751 <i>0.502</i>	25.4 <i>1.000</i>	3.18 <i>0.125</i>	+0.000/-0.025	+0.000/-0.025	+0.127/-0.127	
# BF01270-01913-0127-SB	12.7 <i>0.500</i>	19.126 <i>0.753</i>	12.7 <i>0.500</i>	12.751 <i>0.502</i>	23.81 <i>0.937</i>	3.18 <i>0.125</i>	+0.000/-0.025	+0.000/-0.025	+0.127/-0.127	
# BF01270-01913-0127-SBO	12.7 <i>0.500</i>	19.126 <i>0.753</i>	12.7 <i>0.500</i>	12.827 <i>0.505</i>	25.4 <i>1.000</i>	3.18 <i>0.125</i>	+0.000/-0.025	+0.000/-0.025	+0.127/-0.127	
# BF01270-01913-0159-SB	12.7 <i>0.500</i>	19.126 <i>0.753</i>	15.875 <i>0.625</i>	12.751 <i>0.502</i>	25.4 <i>1.000</i>	3.18 <i>0.125</i>	+0.000/-0.025	+0.000/-0.025	+0.127/-0.127	

Indicates item not stocked at time of printing - Please enquire for lead time

E&OE Pricing and all details subject to change without notice - Copyright Miniature Bearings Australia Pty Ltd

MBA Size Listings are a guide to sizes only and must not be solely relied on for critical design information.

Bushes - Bronze - Sintered - Flanged

Part Number	Nominal Shaft Size mm	OD (D) mm	Length (S) mm	Actual ID (d) mm	Flange OD (D1) mm	Flange Thickness (S1) mm	ID Tolerance mm	OD Tolerance mm	Length Tolerance mm	Comments
	<i>inches</i>	<i>inches</i>	<i>inches</i>	<i>inches</i>	<i>inches</i>	<i>inches</i>	<i>inches</i>	<i>inches</i>	<i>inches</i>	
# BF01270-01913-0159-SBO	12.7 <i>0.500</i>	19.126 <i>0.753</i>	15.875 <i>0.625</i>	12.827 <i>0.505</i>	25.4 <i>1.000</i>	3.18 <i>0.125</i>	+0.000/-0.025	+0.000/-0.025	+0.127/-0.127	
# BF01270-01913-0191-SB	12.7 <i>0.500</i>	19.126 <i>0.753</i>	19.05 <i>0.750</i>	12.751 <i>0.502</i>	23.81 <i>0.937</i>	3.18 <i>0.125</i>	+0.000/-0.025	+0.000/-0.025	+0.127/-0.127	
# BF01270-01913-0191-SBO	12.7 <i>0.500</i>	19.126 <i>0.753</i>	19.05 <i>0.750</i>	12.776 <i>0.503</i>	23.81 <i>0.937</i>	3.18 <i>0.125</i>	+0.000/-0.025	+0.000/-0.025	+0.127/-0.127	
# BF01270-01913-0191-SBOF	12.7 <i>0.500</i>	19.126 <i>0.753</i>	19.05 <i>0.750</i>	12.751 <i>0.502</i>	25.4 <i>1.000</i>	3.18 <i>0.125</i>	+0.000/-0.025	+0.000/-0.025	+0.127/-0.127	
# BF01270-01913-0222-SB	12.7 <i>0.500</i>	19.126 <i>0.753</i>	22.225 <i>0.875</i>	12.751 <i>0.502</i>	25.4 <i>1.000</i>	3.18 <i>0.125</i>	+0.000/-0.025	+0.000/-0.025	+0.127/-0.127	
# BF01270-01913-0254-SBOF	12.7 <i>0.500</i>	19.126 <i>0.753</i>	25.4 <i>1.000</i>	12.751 <i>0.502</i>	25.4 <i>1.000</i>	3.18 <i>0.125</i>	+0.000/-0.025	+0.000/-0.025	+0.127/-0.127	
# BF01270-01913-0254-SB	12.7 <i>0.500</i>	19.126 <i>0.753</i>	25.4 <i>1.000</i>	12.751 <i>0.502</i>	23.81 <i>0.937</i>	3.18 <i>0.125</i>	+0.000/-0.025	+0.000/-0.025	+0.127/-0.127	
# BF01270-01913-0318-SB	12.7 <i>0.500</i>	19.126 <i>0.753</i>	31.75 <i>1.250</i>	12.751 <i>0.502</i>	25.4 <i>1.000</i>	3.18 <i>0.125</i>	+0.000/-0.025	+0.000/-0.025	+0.127/-0.127	
# BF01270-01913-0381-SB	12.7 <i>0.500</i>	19.126 <i>0.753</i>	38.1 <i>1.500</i>	12.751 <i>0.502</i>	25.4 <i>1.000</i>	3.18 <i>0.125</i>	+0.000/-0.025	+0.000/-0.025	+0.127/-0.127	
BF01270-01915-0131-SB	12.7 <i>0.500</i>	19.152 <i>0.754</i>	13.081 <i>0.515</i>	12.725 <i>0.501</i>	22.23 <i>0.875</i>	3.68 <i>0.145</i>	+0.025/-0.000	+0.000/-0.025	+0.127/-0.127	

Indicates item not stocked at time of printing - Please enquire for lead time

E&OE Pricing and all details subject to change without notice - Copyright Miniature Bearings Australia Pty Ltd

MBA Size Listings are a guide to sizes only and must not be solely relied on for critical design information.

Bushes - Bronze - Sintered - Flanged

Part Number	Nominal Shaft Size mm	OD (D) mm	Length (S) mm	Actual ID (d) mm	Flange OD (D1) mm	Flange Thickness (S1) mm	ID Tolerance mm	OD Tolerance mm	Length Tolerance mm	Comments
	<i>inches</i>	<i>inches</i>	<i>inches</i>	<i>inches</i>	<i>inches</i>	<i>inches</i>	<i>inches</i>	<i>inches</i>	<i>inches</i>	
# BF01270-01915-0246-SB	12.7 <i>0.500</i>	19.152 <i>0.754</i>	24.613 <i>0.969</i>	12.725 <i>0.501</i>	22.23 <i>0.875</i>	1.52 <i>0.060</i>	+0.025/-0.000	+0.000/-0.025	+0.127/-0.127	
# BF01270-02858-0079-SB	12.7 <i>0.500</i>	28.578 <i>1.125</i>	7.938 <i>0.313</i>	12.705 <i>0.500</i>	31.75 <i>1.250</i>	1.57 <i>0.062</i>	+0.005/-0.005	+0.000/-0.013	+0.000/-0.127	
# BF01429-01913-0254-SB	14.2875 <i>0.563</i>	19.126 <i>0.753</i>	25.4 <i>1.000</i>	14.351 <i>0.565</i>	25.4 <i>1.000</i>	3.18 <i>0.125</i>	+0.000/-0.025	+0.000/-0.025	+0.127/-0.127	
# BF01588-01911-0127-SB	15.875 <i>0.625</i>	19.114 <i>0.753</i>	12.7 <i>0.500</i>	15.939 <i>0.628</i>	22.23 <i>0.875</i>	1.59 <i>0.063</i>	+0.000/-0.025	+0.000/-0.025	+0.127/-0.127	
# BF01588-01911-0159-SB	15.875 <i>0.625</i>	19.114 <i>0.753</i>	15.875 <i>0.625</i>	15.913 <i>0.626</i>	25.4 <i>1.000</i>	2.38 <i>0.094</i>	+0.000/-0.025	+0.000/-0.025	+0.127/-0.127	
# BF01588-01911-0191-SB	15.875 <i>0.625</i>	19.114 <i>0.753</i>	19.05 <i>0.750</i>	15.913 <i>0.626</i>	25.4 <i>1.000</i>	2.38 <i>0.094</i>	+0.000/-0.025	+0.000/-0.025	+0.127/-0.127	
# BF01588-01911-0254-SBO	15.875 <i>0.625</i>	19.114 <i>0.753</i>	25.4 <i>1.000</i>	15.939 <i>0.628</i>	22.23 <i>0.875</i>	1.59 <i>0.063</i>	+0.000/-0.025	+0.000/-0.025	+0.127/-0.127	
# BF01588-01911-0254-SB	15.875 <i>0.625</i>	19.114 <i>0.753</i>	25.4 <i>1.000</i>	15.913 <i>0.626</i>	25.4 <i>1.000</i>	2.38 <i>0.094</i>	+0.000/-0.025	+0.000/-0.025	+0.127/-0.127	
# BF01588-01911-0286-SB	15.875 <i>0.625</i>	19.114 <i>0.753</i>	28.575 <i>1.125</i>	15.913 <i>0.626</i>	25.4 <i>1.000</i>	2.38 <i>0.094</i>	+0.000/-0.025	+0.000/-0.025	+0.127/-0.127	
# BF01588-01911-0286-SBO	15.875 <i>0.625</i>	19.114 <i>0.753</i>	28.575 <i>1.125</i>	15.939 <i>0.628</i>	22.23 <i>0.875</i>	1.59 <i>0.063</i>	+0.000/-0.025	+0.000/-0.025	+0.127/-0.127	

Indicates item not stocked at time of printing - Please enquire for lead time

E&OE Pricing and all details subject to change without notice - Copyright Miniature Bearings Australia Pty Ltd

MBA Size Listings are a guide to sizes only and must not be solely relied on for critical design information.

Bushes - Bronze - Sintered - Flanged

Part Number	Nominal Shaft Size mm	OD (D) mm	Length (S) mm	Actual ID (d) mm	Flange OD (D1) mm	Flange Thickness (S1) mm	ID Tolerance mm	OD Tolerance mm	Length Tolerance mm	Comments
	<i>inches</i>	<i>inches</i>	<i>inches</i>	<i>inches</i>	<i>inches</i>	<i>inches</i>	<i>inches</i>	<i>inches</i>	<i>inches</i>	
# BF01588-01911-0318-SB	15.875 <i>0.625</i>	19.114 <i>0.753</i>	31.75 <i>1.250</i>	15.913 <i>0.626</i>	25.4 <i>1.000</i>	2.38 <i>0.094</i>	+0.000/-0.025	+0.000/-0.025	+0.127/-0.127	
# BF01588-01913-0127-SB	15.875 <i>0.625</i>	19.126 <i>0.753</i>	12.7 <i>0.500</i>	15.9 <i>0.626</i>	25.4 <i>1.000</i>	3.18 <i>0.125</i>	+0.000/-0.025	+0.000/-0.025	+0.127/-0.127	
# BF01588-01913-0159-SB	15.875 <i>0.625</i>	19.126 <i>0.753</i>	15.875 <i>0.625</i>	15.9 <i>0.626</i>	25.4 <i>1.000</i>	3.18 <i>0.125</i>	+0.000/-0.025	+0.000/-0.025	+0.127/-0.127	
BF01588-01913-0191-SB	15.875 <i>0.625</i>	19.126 <i>0.753</i>	19.05 <i>0.750</i>	15.9 <i>0.626</i>	25.4 <i>1.000</i>	3.18 <i>0.125</i>	+0.000/-0.025	+0.000/-0.025	+0.127/-0.127	
BF01588-01913-0254-SB	15.875 <i>0.625</i>	19.126 <i>0.753</i>	25.4 <i>1.000</i>	15.9 <i>0.626</i>	25.4 <i>1.000</i>	3.18 <i>0.125</i>	+0.000/-0.025	+0.000/-0.025	+0.127/-0.127	
# BF01588-01913-0318-SB	15.875 <i>0.625</i>	19.126 <i>0.753</i>	31.75 <i>1.250</i>	15.9 <i>0.626</i>	25.4 <i>1.000</i>	3.18 <i>0.125</i>	+0.000/-0.025	+0.000/-0.025	+0.127/-0.127	
# BF01588-01914-0058-SB	15.875 <i>0.625</i>	19.139 <i>0.754</i>	5.842 <i>0.230</i>	15.9 <i>0.626</i>	22.23 <i>0.875</i>	3.68 <i>0.145</i>	+0.025/-0.000	+0.000/-0.025	+0.127/-0.127	
# BF01588-01914-0094-SB	15.875 <i>0.625</i>	19.139 <i>0.754</i>	9.423 <i>0.371</i>	15.9 <i>0.626</i>	25.17 <i>0.991</i>	1.6 <i>0.063</i>	+0.025/-0.000	+0.000/-0.025	+0.127/-0.127	
# BF01588-01914-0160-SB	15.875 <i>0.625</i>	19.139 <i>0.754</i>	16.002 <i>0.630</i>	15.9 <i>0.626</i>	25.17 <i>0.991</i>	1.6 <i>0.063</i>	+0.025/-0.000	+0.000/-0.025	+0.127/-0.127	
# BF01588-02070-0127-SB	15.875 <i>0.625</i>	20.701 <i>0.815</i>	12.7 <i>0.500</i>	15.9 <i>0.626</i>	25.4 <i>1.000</i>	3.18 <i>0.125</i>	+0.000/-0.025	+0.000/-0.025	+0.127/-0.127	

Indicates item not stocked at time of printing - Please enquire for lead time

E&OE Pricing and all details subject to change without notice - Copyright Miniature Bearings Australia Pty Ltd

MBA Size Listings are a guide to sizes only and must not be solely relied on for critical design information.

Bushes - Bronze - Sintered - Flanged

Part Number	Nominal Shaft Size mm	OD (D) mm	Length (S) mm	Actual ID (d) mm	Flange OD (D1) mm	Flange Thickness (S1) mm	ID Tolerance mm	OD Tolerance mm	Length Tolerance mm	Comments
	<i>inches</i>	<i>inches</i>	<i>inches</i>	<i>inches</i>	<i>inches</i>	<i>inches</i>	<i>inches</i>	<i>inches</i>	<i>inches</i>	
# BF01588-02070-0191-SB	15.875 <i>0.625</i>	20.701 <i>0.815</i>	19.05 <i>0.750</i>	15.9 <i>0.626</i>	25.4 <i>1.000</i>	3.18 <i>0.125</i>	+0.000/-0.025	+0.000/-0.025	+0.127/-0.127	
BF01588-02070-0191-SBO	15.875 <i>0.625</i>	20.701 <i>0.815</i>	19.05 <i>0.750</i>	15.926 <i>0.627</i>	26.99 <i>1.063</i>	3.97 <i>0.156</i>	+0.000/-0.025	+0.000/-0.025	+0.127/-0.127	
# BF01588-02070-0254-SB	15.875 <i>0.625</i>	20.701 <i>0.815</i>	25.4 <i>1.000</i>	15.9 <i>0.626</i>	25.4 <i>1.000</i>	3.18 <i>0.125</i>	+0.000/-0.025	+0.000/-0.025	+0.127/-0.127	
# BF01588-02070-0254-SBO	15.875 <i>0.625</i>	20.701 <i>0.815</i>	25.4 <i>1.000</i>	15.926 <i>0.627</i>	26.99 <i>1.063</i>	3.97 <i>0.156</i>	+0.000/-0.025	+0.000/-0.025	+0.127/-0.127	
# BF01588-02070-0254-SBU	15.875 <i>0.625</i>	20.701 <i>0.815</i>	25.4 <i>1.000</i>	15.875 <i>0.625</i>	25.4 <i>1.000</i>	3.18 <i>0.125</i>	+0.000/-0.025	+0.000/-0.025	+0.127/-0.127	
# BF01588-02070-0318-SB	15.875 <i>0.625</i>	20.701 <i>0.815</i>	31.75 <i>1.250</i>	15.875 <i>0.625</i>	25.4 <i>1.000</i>	3.18 <i>0.125</i>	+0.000/-0.025	+0.000/-0.025	+0.127/-0.127	
# BF01588-02070-0318-SBO	15.875 <i>0.625</i>	20.701 <i>0.815</i>	31.75 <i>1.250</i>	15.926 <i>0.627</i>	26.99 <i>1.063</i>	3.97 <i>0.156</i>	+0.000/-0.025	+0.000/-0.025	+0.127/-0.127	
# BF01588-02070-0365-SB	15.875 <i>0.625</i>	20.701 <i>0.815</i>	36.512 <i>1.437</i>	15.926 <i>0.627</i>	26.99 <i>1.063</i>	3.97 <i>0.156</i>	+0.000/-0.025	+0.000/-0.025	+0.127/-0.127	
# BF01588-02070-0381-SB	15.875 <i>0.625</i>	20.701 <i>0.815</i>	38.1 <i>1.500</i>	15.926 <i>0.627</i>	26.99 <i>1.063</i>	3.97 <i>0.156</i>	+0.000/-0.025	+0.000/-0.025	+0.127/-0.127	
# BF01588-02070-0508-SB	15.875 <i>0.625</i>	20.701 <i>0.815</i>	50.8 <i>2.000</i>	15.926 <i>0.627</i>	26.99 <i>1.063</i>	3.97 <i>0.156</i>	+0.000/-0.025	+0.000/-0.025	+0.190/-0.190	

Indicates item not stocked at time of printing - Please enquire for lead time

E&OE Pricing and all details subject to change without notice - Copyright Miniature Bearings Australia Pty Ltd

MBA Size Listings are a guide to sizes only and must not be solely relied on for critical design information.

Bushes - Bronze - Sintered - Flanged

Part Number	Nominal Shaft Size mm	OD (D) mm	Length (S) mm	Actual ID (d) mm	Flange OD (D1) mm	Flange Thickness (S1) mm	ID Tolerance mm	OD Tolerance mm	Length Tolerance mm	Comments
	<i>inches</i>	<i>inches</i>	<i>inches</i>	<i>inches</i>	<i>inches</i>	<i>inches</i>	<i>inches</i>	<i>inches</i>	<i>inches</i>	
# BF01588-02071-0127-SB	15.875 <i>0.625</i>	20.714 <i>0.816</i>	12.7 <i>0.500</i>	15.989 <i>0.629</i>	25.4 <i>1.000</i>	3.18 <i>0.125</i>	+0.000/-0.025	+0.000/-0.025	+0.127/-0.127	
# BF01588-02071-0191-SB	15.875 <i>0.625</i>	20.714 <i>0.816</i>	19.05 <i>0.750</i>	15.989 <i>0.629</i>	25.4 <i>1.000</i>	3.18 <i>0.125</i>	+0.000/-0.025	+0.000/-0.025	+0.127/-0.127	
# BF01588-02071-0254-SB	15.875 <i>0.625</i>	20.714 <i>0.816</i>	25.4 <i>1.000</i>	15.989 <i>0.629</i>	25.4 <i>1.000</i>	3.18 <i>0.125</i>	+0.000/-0.025	+0.000/-0.025	+0.127/-0.127	
# BF01588-02073-0191-SB	15.875 <i>0.625</i>	20.726 <i>0.816</i>	19.05 <i>0.750</i>	15.951 <i>0.628</i>	31.75 <i>1.250</i>	3.18 <i>0.125</i>	+0.000/-0.025	+0.000/-0.025	+0.127/-0.127	
# BF01588-02073-0365-SB	15.875 <i>0.625</i>	20.726 <i>0.816</i>	36.513 <i>1.438</i>	15.951 <i>0.628</i>	31.75 <i>1.250</i>	3.18 <i>0.125</i>	+0.000/-0.025	+0.000/-0.025	+0.127/-0.127	
# BF01588-02228-0159-SB	15.875 <i>0.625</i>	22.276 <i>0.877</i>	15.875 <i>0.625</i>	15.926 <i>0.627</i>	25.4 <i>1.000</i>	3.18 <i>0.125</i>	+0.000/-0.025	+0.000/-0.025	+0.127/-0.127	
# BF01588-02228-0191-SB	15.875 <i>0.625</i>	22.276 <i>0.877</i>	19.05 <i>0.750</i>	15.926 <i>0.627</i>	25.4 <i>1.000</i>	3.18 <i>0.125</i>	+0.000/-0.025	+0.000/-0.025	+0.127/-0.127	
# BF01588-02228-0254-SB	15.875 <i>0.625</i>	22.276 <i>0.877</i>	25.4 <i>1.000</i>	15.926 <i>0.627</i>	25.4 <i>1.000</i>	3.18 <i>0.125</i>	+0.000/-0.025	+0.000/-0.025	+0.127/-0.127	
# BF01588-02228-0318-SB	15.875 <i>0.625</i>	22.276 <i>0.877</i>	31.75 <i>1.250</i>	15.926 <i>0.627</i>	25.4 <i>1.000</i>	3.18 <i>0.125</i>	+0.000/-0.025	+0.000/-0.025	+0.127/-0.127	
BF01593-02230-0191-SB841	15.875 <i>0.625</i>	22.301 <i>0.878</i>	19.05 <i>0.750</i>	15.926 <i>0.627</i>	28.58 <i>1.125</i>	3.97 <i>0.156</i>	+0.000/-0.025	+0.000/-0.025	+0.127/-0.127	

Indicates item not stocked at time of printing - Please enquire for lead time

E&OE Pricing and all details subject to change without notice - Copyright Miniature Bearings Australia Pty Ltd

MBA Size Listings are a guide to sizes only and must not be solely relied on for critical design information.

Bushes - Bronze - Sintered - Flanged

Part Number	Nominal Shaft Size mm	OD (D) mm	Length (S) mm	Actual ID (d) mm	Flange OD (D1) mm	Flange Thickness (S1) mm	ID Tolerance mm	OD Tolerance mm	Length Tolerance mm	Comments
	<i>inches</i>	<i>inches</i>	<i>inches</i>	<i>inches</i>	<i>inches</i>	<i>inches</i>	<i>inches</i>	<i>inches</i>	<i>inches</i>	
# BF01588-02230-0191-SB	15.875 <i>0.625</i>	22.301 <i>0.878</i>	19.05 <i>0.750</i>	15.926 <i>0.627</i>	28.58 <i>1.125</i>	3.97 <i>0.156</i>	+0.000/-0.025	+0.000/-0.025	+0.127/-0.127	
# BF01588-02230-0254-SB	15.875 <i>0.625</i>	22.301 <i>0.878</i>	25.4 <i>1.000</i>	15.926 <i>0.627</i>	28.58 <i>1.125</i>	3.97 <i>0.156</i>	+0.000/-0.025	+0.000/-0.025	+0.127/-0.127	
# BF01588-02230-0445-SB	15.875 <i>0.625</i>	22.301 <i>0.878</i>	44.45 <i>1.750</i>	15.926 <i>0.627</i>	28.58 <i>1.125</i>	3.97 <i>0.156</i>	+0.000/-0.025	+0.000/-0.025	+0.190/-0.190	
# BF01588-02548-0254-SB	15.875 <i>0.625</i>	25.476 <i>1.003</i>	25.4 <i>1.000</i>	15.926 <i>0.627</i>	31.75 <i>1.250</i>	3.97 <i>0.156</i>	+0.000/-0.025	+0.000/-0.025	+0.127/-0.127	
# BF01905-02228-0127-SB	19.05 <i>0.750</i>	22.276 <i>0.877</i>	12.7 <i>0.500</i>	19.075 <i>0.751</i>	25.4 <i>1.000</i>	3.18 <i>0.125</i>	+0.000/-0.025	+0.000/-0.025	+0.127/-0.127	
# BF01905-02228-0254-SB	19.05 <i>0.750</i>	22.276 <i>0.877</i>	25.4 <i>1.000</i>	19.075 <i>0.751</i>	25.4 <i>1.000</i>	3.18 <i>0.125</i>	+0.000/-0.025	+0.000/-0.025	+0.127/-0.127	
BF01905-02230-0191-SB	19.05 <i>0.750</i>	22.301 <i>0.878</i>	19.05 <i>0.750</i>	19.101 <i>0.752</i>	28.58 <i>1.125</i>	3.97 <i>0.156</i>	+0.000/-0.025	+0.000/-0.025	+0.127/-0.127	
BF01910-02230-0191-SB841	19.05 <i>0.750</i>	22.301 <i>0.878</i>	19.05 <i>0.750</i>	19.101 <i>0.752</i>	28.58 <i>1.125</i>	3.97 <i>0.156</i>	+0.000/-0.025	+0.000/-0.025	+0.127/-0.127	
# BF01905-02230-0254-SB	19.05 <i>0.750</i>	22.301 <i>0.878</i>	25.4 <i>1.000</i>	19.101 <i>0.752</i>	28.58 <i>1.125</i>	3.97 <i>0.156</i>	+0.000/-0.025	+0.000/-0.025	+0.127/-0.127	
# BF01905-02383-0143-SB	19.05 <i>0.750</i>	23.825 <i>0.938</i>	14.288 <i>0.563</i>	19.126 <i>0.753</i>	33.34 <i>1.313</i>	3.18 <i>0.125</i>	+0.000/-0.025	+0.000/-0.025	+0.127/-0.127	

Indicates item not stocked at time of printing - Please enquire for lead time

E&OE Pricing and all details subject to change without notice - Copyright Miniature Bearings Australia Pty Ltd

MBA Size Listings are a guide to sizes only and must not be solely relied on for critical design information.

Bushes - Bronze - Sintered - Flanged

Part Number	Nominal Shaft Size mm	OD (D) mm	Length (S) mm	Actual ID (d) mm	Flange OD (D1) mm	Flange Thickness (S1) mm	ID Tolerance mm	OD Tolerance mm	Length Tolerance mm	Comments
	<i>inches</i>	<i>inches</i>	<i>inches</i>	<i>inches</i>	<i>inches</i>	<i>inches</i>	<i>inches</i>	<i>inches</i>	<i>inches</i>	
# BF01905-02383-0191-SB	19.05 <i>0.750</i>	23.825 <i>0.938</i>	19.05 <i>0.750</i>	19.126 <i>0.753</i>	33.34 <i>1.313</i>	3.18 <i>0.125</i>	+0.000/-0.025	+0.000/-0.025	+0.127/-0.127	
# BF01905-02383-0318-SB	19.05 <i>0.750</i>	23.825 <i>0.938</i>	31.75 <i>1.250</i>	19.126 <i>0.753</i>	33.34 <i>1.313</i>	3.18 <i>0.125</i>	+0.000/-0.025	+0.000/-0.025	+0.127/-0.127	
# BF01905-02383-0397-SB	19.05 <i>0.750</i>	23.825 <i>0.938</i>	39.688 <i>1.563</i>	19.126 <i>0.753</i>	33.34 <i>1.313</i>	3.18 <i>0.125</i>	+0.000/-0.025	+0.000/-0.025	+0.190/-0.190	
# BF01905-02388-0254-SB	19.05 <i>0.750</i>	23.876 <i>0.940</i>	25.4 <i>1.000</i>	19.101 <i>0.752</i>	30.16 <i>1.187</i>	3.97 <i>0.156</i>	+0.000/-0.025	+0.000/-0.025	+0.127/-0.127	
# BF01905-02388-0381-SB	19.05 <i>0.750</i>	23.876 <i>0.940</i>	38.1 <i>1.500</i>	19.101 <i>0.752</i>	30.16 <i>1.187</i>	3.97 <i>0.156</i>	+0.000/-0.025	+0.000/-0.025	+0.127/-0.127	
# BF01905-02389-0286-SB	19.05 <i>0.750</i>	23.889 <i>0.941</i>	28.575 <i>1.125</i>	19.126 <i>0.753</i>	29.85 <i>1.175</i>	3.18 <i>0.125</i>	+0.000/-0.025	+0.000/-0.025	+0.127/-0.127	
# BF01905-02390-0191-SB	19.05 <i>0.750</i>	23.901 <i>0.941</i>	19.05 <i>0.750</i>	19.063 <i>0.751</i>	31.75 <i>1.250</i>	2.38 <i>0.094</i>	+0.000/-0.025	+0.000/-0.025	+0.127/-0.127	
# BF01905-02390-0254-SB	19.05 <i>0.750</i>	23.901 <i>0.941</i>	25.4 <i>1.000</i>	19.063 <i>0.751</i>	31.75 <i>1.250</i>	2.38 <i>0.094</i>	+0.000/-0.025	+0.000/-0.025	+0.127/-0.127	
# BF01905-02545-0127-SB	19.05 <i>0.750</i>	25.451 <i>1.002</i>	12.7 <i>0.500</i>	19.063 <i>0.751</i>	36.51 <i>1.437</i>	3.18 <i>0.125</i>	+0.000/-0.025	+0.000/-0.025	+0.127/-0.127	
# BF01905-02545-0159-SB	19.05 <i>0.750</i>	25.451 <i>1.002</i>	15.875 <i>0.625</i>	19.063 <i>0.751</i>	36.51 <i>1.437</i>	3.18 <i>0.125</i>	+0.000/-0.025	+0.000/-0.025	+0.127/-0.127	

Indicates item not stocked at time of printing - Please enquire for lead time

E&OE Pricing and all details subject to change without notice - Copyright Miniature Bearings Australia Pty Ltd

MBA Size Listings are a guide to sizes only and must not be solely relied on for critical design information.

Bushes - Bronze - Sintered - Flanged

Part Number	Nominal Shaft Size mm	OD (D) mm	Length (S) mm	Actual ID (d) mm	Flange OD (D1) mm	Flange Thickness (S1) mm	ID Tolerance mm	OD Tolerance mm	Length Tolerance mm	Comments
	<i>inches</i>	<i>inches</i>	<i>inches</i>	<i>inches</i>	<i>inches</i>	<i>inches</i>	<i>inches</i>	<i>inches</i>	<i>inches</i>	
# BF01905-02545-0191-SB	19.05 <i>0.750</i>	25.451 <i>1.002</i>	19.05 <i>0.750</i>	19.075 <i>0.751</i>	38.1 <i>1.500</i>	3.18 <i>0.125</i>	+0.000/-0.025	+0.000/-0.025	+0.127/-0.127	
# BF01905-02545-0191-SBO	19.05 <i>0.750</i>	25.451 <i>1.002</i>	19.05 <i>0.750</i>	19.101 <i>0.752</i>	33.34 <i>1.313</i>	3.18 <i>0.125</i>	+0.000/-0.025	+0.000/-0.025	+0.127/-0.127	
# BF01905-02545-0254-SB	19.05 <i>0.750</i>	25.451 <i>1.002</i>	25.4 <i>1.000</i>	19.063 <i>0.751</i>	36.51 <i>1.437</i>	3.18 <i>0.125</i>	+0.000/-0.025	+0.000/-0.025	+0.127/-0.127	
# BF01905-02545-0254-SBO1	19.05 <i>0.750</i>	25.451 <i>1.002</i>	25.4 <i>1.000</i>	19.075 <i>0.751</i>	38.1 <i>1.500</i>	3.18 <i>0.125</i>	+0.000/-0.025	+0.000/-0.025	+0.127/-0.127	
# BF01905-02545-0254-SBO2	19.05 <i>0.750</i>	25.451 <i>1.002</i>	25.4 <i>1.000</i>	19.101 <i>0.752</i>	33.34 <i>1.313</i>	3.18 <i>0.125</i>	+0.000/-0.025	+0.000/-0.025	+0.127/-0.127	
# BF01905-02545-0286-SB	19.05 <i>0.750</i>	25.451 <i>1.002</i>	28.575 <i>1.125</i>	19.063 <i>0.751</i>	36.51 <i>1.437</i>	3.18 <i>0.125</i>	+0.000/-0.025	+0.000/-0.025	+0.127/-0.127	
# BF01905-02545-0318-SB	19.05 <i>0.750</i>	25.451 <i>1.002</i>	31.75 <i>1.250</i>	19.075 <i>0.751</i>	38.1 <i>1.500</i>	3.18 <i>0.125</i>	+0.000/-0.025	+0.000/-0.025	+0.127/-0.127	
# BF01905-02545-0381-SB	19.05 <i>0.750</i>	25.451 <i>1.002</i>	38.1 <i>1.500</i>	19.075 <i>0.751</i>	38.1 <i>1.500</i>	3.18 <i>0.125</i>	+0.000/-0.025	+0.000/-0.025	+0.127/-0.127	
# BF01905-02548-0127-SB	19.05 <i>0.750</i>	25.476 <i>1.003</i>	12.7 <i>0.500</i>	19.126 <i>0.753</i>	28.58 <i>1.125</i>	3.18 <i>0.125</i>	+0.000/-0.025	+0.000/-0.025	+0.127/-0.127	
# BF01905-02548-0159-SB	19.05 <i>0.750</i>	25.476 <i>1.003</i>	15.875 <i>0.625</i>	19.101 <i>0.752</i>	31.75 <i>1.250</i>	3.97 <i>0.156</i>	+0.000/-0.025	+0.000/-0.025	+0.127/-0.127	

Indicates item not stocked at time of printing - Please enquire for lead time

E&OE Pricing and all details subject to change without notice - Copyright Miniature Bearings Australia Pty Ltd

MBA Size Listings are a guide to sizes only and must not be solely relied on for critical design information.

Bushes - Bronze - Sintered - Flanged

Part Number	Nominal Shaft Size mm	OD (D) mm	Length (S) mm	Actual ID (d) mm	Flange OD (D1) mm	Flange Thickness (S1) mm	ID Tolerance mm	OD Tolerance mm	Length Tolerance mm	Comments
	<i>inches</i>	<i>inches</i>	<i>inches</i>	<i>inches</i>	<i>inches</i>	<i>inches</i>	<i>inches</i>	<i>inches</i>	<i>inches</i>	
# BF01905-02548-0191-SB	19.05 <i>0.750</i>	25.476 <i>1.003</i>	19.05 <i>0.750</i>	19.101 <i>0.752</i>	31.75 <i>1.250</i>	3.97 <i>0.156</i>	+0.000/-0.025	+0.000/-0.025	+0.127/-0.127	
# BF01905-02548-0191-SBO	19.05 <i>0.750</i>	25.476 <i>1.003</i>	19.05 <i>0.750</i>	19.126 <i>0.753</i>	28.58 <i>1.125</i>	3.18 <i>0.125</i>	+0.000/-0.025	+0.000/-0.025	+0.127/-0.127	
BF01905-02548-0254-SB	19.05 <i>0.750</i>	25.476 <i>1.003</i>	25.4 <i>1.000</i>	19.101 <i>0.752</i>	31.75 <i>1.250</i>	3.97 <i>0.156</i>	+0.000/-0.025	+0.000/-0.025	+0.127/-0.127	
# BF01905-02548-0254-SBO	19.05 <i>0.750</i>	25.476 <i>1.003</i>	25.4 <i>1.000</i>	19.126 <i>0.753</i>	28.58 <i>1.125</i>	3.18 <i>0.125</i>	+0.000/-0.025	+0.000/-0.025	+0.127/-0.127	
# BF01905-02548-0318-SB	19.05 <i>0.750</i>	25.476 <i>1.003</i>	31.75 <i>1.250</i>	19.101 <i>0.752</i>	31.75 <i>1.250</i>	3.97 <i>0.156</i>	+0.000/-0.025	+0.000/-0.025	+0.127/-0.127	
# BF01905-02548-0381-SB	19.05 <i>0.750</i>	25.476 <i>1.003</i>	38.1 <i>1.500</i>	19.101 <i>0.752</i>	31.75 <i>1.250</i>	3.97 <i>0.156</i>	+0.000/-0.025	+0.000/-0.025	+0.127/-0.127	
# BF01905-02548-0508-SB	19.05 <i>0.750</i>	25.476 <i>1.003</i>	50.8 <i>2.000</i>	19.101 <i>0.752</i>	31.75 <i>1.250</i>	3.97 <i>0.156</i>	+0.000/-0.025	+0.000/-0.025	+0.190/-0.190	
# BF01905-02706-0302-SB	19.05 <i>0.750</i>	27.064 <i>1.066</i>	30.163 <i>1.188</i>	19.101 <i>0.752</i>	30.16 <i>1.187</i>	3.18 <i>0.125</i>	+0.000/-0.025	+0.000/-0.025	+0.127/-0.127	
# BF02223-02548-0159-SB	22.225 <i>0.875</i>	25.476 <i>1.003</i>	15.875 <i>0.625</i>	22.263 <i>0.876</i>	31.75 <i>1.250</i>	3.18 <i>0.125</i>	+0.000/-0.025	+0.000/-0.025	+0.127/-0.127	
# BF02223-02548-0191-SB	22.225 <i>0.875</i>	25.476 <i>1.003</i>	19.05 <i>0.750</i>	22.263 <i>0.876</i>	31.75 <i>1.250</i>	3.18 <i>0.125</i>	+0.000/-0.025	+0.000/-0.025	+0.127/-0.127	

Indicates item not stocked at time of printing - Please enquire for lead time

E&OE Pricing and all details subject to change without notice - Copyright Miniature Bearings Australia Pty Ltd

MBA Size Listings are a guide to sizes only and must not be solely relied on for critical design information.

Bushes - Bronze - Sintered - Flanged

Part Number	Nominal Shaft Size mm	OD (D) mm	Length (S) mm	Actual ID (d) mm	Flange OD (D1) mm	Flange Thickness (S1) mm	ID Tolerance mm	OD Tolerance mm	Length Tolerance mm	Comments
	<i>inches</i>	<i>inches</i>	<i>inches</i>	<i>inches</i>	<i>inches</i>	<i>inches</i>	<i>inches</i>	<i>inches</i>	<i>inches</i>	
# BF02223-02548-0191-SBO	22.225 <i>0.875</i>	25.476 <i>1.003</i>	19.05 <i>0.750</i>	22.276 <i>0.877</i>	31.75 <i>1.250</i>	3.97 <i>0.156</i>	+0.000/-0.025	+0.000/-0.025	+0.127/-0.127	
# BF02223-02548-0254-SB	22.225 <i>0.875</i>	25.476 <i>1.003</i>	25.4 <i>1.000</i>	22.263 <i>0.876</i>	31.75 <i>1.250</i>	3.18 <i>0.125</i>	+0.000/-0.025	+0.000/-0.025	+0.127/-0.127	
# BF02223-02548-0254-SBO	22.225 <i>0.875</i>	25.476 <i>1.003</i>	25.4 <i>1.000</i>	22.276 <i>0.877</i>	31.75 <i>1.250</i>	3.97 <i>0.156</i>	+0.000/-0.025	+0.000/-0.025	+0.127/-0.127	
BF02223-02548-0318-SB	22.225 <i>0.875</i>	25.476 <i>1.003</i>	31.75 <i>1.250</i>	22.276 <i>0.877</i>	31.75 <i>1.250</i>	3.97 <i>0.156</i>	+0.000/-0.025	+0.000/-0.025	+0.127/-0.127	
# BF02223-02865-0159-SB	22.225 <i>0.875</i>	28.651 <i>1.128</i>	15.875 <i>0.625</i>	22.276 <i>0.877</i>	38.1 <i>1.500</i>	3.18 <i>0.125</i>	+0.000/-0.025	+0.000/-0.025	+0.127/-0.127	
BF02223-02865-0254-SB	22.225 <i>0.875</i>	28.651 <i>1.128</i>	25.4 <i>1.000</i>	22.276 <i>0.877</i>	34.93 <i>1.375</i>	3.97 <i>0.156</i>	+0.000/-0.025	+0.000/-0.025	+0.127/-0.127	
# BF02223-02865-0318-SB	22.225 <i>0.875</i>	28.651 <i>1.128</i>	31.75 <i>1.250</i>	22.276 <i>0.877</i>	38.1 <i>1.500</i>	3.18 <i>0.125</i>	+0.000/-0.025	+0.000/-0.025	+0.127/-0.127	
# BF02223-02865-0381-SB	22.225 <i>0.875</i>	28.651 <i>1.128</i>	38.1 <i>1.500</i>	22.276 <i>0.877</i>	34.93 <i>1.375</i>	3.97 <i>0.156</i>	+0.000/-0.025	+0.000/-0.025	+0.127/-0.127	
# BF02223-02865-0445-SB	22.225 <i>0.875</i>	28.651 <i>1.128</i>	44.45 <i>1.750</i>	22.276 <i>0.877</i>	38.1 <i>1.500</i>	3.18 <i>0.125</i>	+0.000/-0.025	+0.000/-0.025	+0.190/-0.190	
# BF02540-03180-0191-SB	25.4 <i>1.000</i>	31.801 <i>1.252</i>	19.05 <i>0.750</i>	25.425 <i>1.001</i>	38.1 <i>1.500</i>	3.18 <i>0.125</i>	+0.000/-0.025	+0.000/-0.025	+0.127/-0.127	

Indicates item not stocked at time of printing - Please enquire for lead time

E&OE Pricing and all details subject to change without notice - Copyright Miniature Bearings Australia Pty Ltd

MBA Size Listings are a guide to sizes only and must not be solely relied on for critical design information.

Bushes - Bronze - Sintered - Flanged

Part Number	Nominal Shaft Size mm	OD (D) mm	Length (S) mm	Actual ID (d) mm	Flange OD (D1) mm	Flange Thickness (S1) mm	ID Tolerance mm	OD Tolerance mm	Length Tolerance mm	Comments
	<i>inches</i>	<i>inches</i>	<i>inches</i>	<i>inches</i>	<i>inches</i>	<i>inches</i>	<i>inches</i>	<i>inches</i>	<i>inches</i>	
# BF02540-03180-0191-SBO	25.4 <i>1.000</i>	31.801 <i>1.252</i>	19.05 <i>0.750</i>	25.451 <i>1.002</i>	41.28 <i>1.625</i>	3.18 <i>0.125</i>	+0.000/-0.025	+0.000/-0.025	+0.127/-0.127	
# BF02540-03180-0318-SB	25.4 <i>1.000</i>	31.801 <i>1.252</i>	31.75 <i>1.250</i>	25.451 <i>1.002</i>	41.28 <i>1.625</i>	3.18 <i>0.125</i>	+0.000/-0.025	+0.000/-0.025	+0.127/-0.127	
# BF02540-03180-0381-SB	25.4 <i>1.000</i>	31.801 <i>1.252</i>	38.1 <i>1.500</i>	25.425 <i>1.001</i>	38.1 <i>1.500</i>	3.18 <i>0.125</i>	+0.000/-0.025	+0.000/-0.025	+0.127/-0.127	
# BF02540-03180-0381-SBO	25.4 <i>1.000</i>	31.801 <i>1.252</i>	38.1 <i>1.500</i>	25.451 <i>1.002</i>	41.28 <i>1.625</i>	3.18 <i>0.125</i>	+0.000/-0.025	+0.000/-0.025	+0.127/-0.127	
# BF02540-03180-0445-SB	25.4 <i>1.000</i>	31.801 <i>1.252</i>	44.45 <i>1.750</i>	25.451 <i>1.002</i>	41.28 <i>1.625</i>	3.18 <i>0.125</i>	+0.000/-0.025	+0.000/-0.025	+0.190/-0.190	
# BF02540-03183-0191-SBO	25.4 <i>1.000</i>	31.826 <i>1.253</i>	19.05 <i>0.750</i>	25.451 <i>1.002</i>	38.1 <i>1.500</i>	4.76 <i>0.187</i>	+0.000/-0.025	+0.000/-0.025	+0.127/-0.127	
# BF02540-03183-0191-SB	25.4 <i>1.000</i>	31.826 <i>1.253</i>	19.05 <i>0.750</i>	25.425 <i>1.001</i>	47.63 <i>1.875</i>	3.18 <i>0.125</i>	+0.000/-0.025	+0.000/-0.025	+0.127/-0.127	
# BF02540-03183-0254-SB	25.4 <i>1.000</i>	31.826 <i>1.253</i>	25.4 <i>1.000</i>	25.425 <i>1.001</i>	47.63 <i>1.875</i>	3.18 <i>0.125</i>	+0.000/-0.025	+0.000/-0.025	+0.127/-0.127	
# BF02540-03183-0254-SBO	25.4 <i>1.000</i>	31.826 <i>1.253</i>	25.4 <i>1.000</i>	25.451 <i>1.002</i>	38.1 <i>1.500</i>	4.76 <i>0.187</i>	+0.000/-0.025	+0.000/-0.025	+0.127/-0.127	
# BF02540-03183-0318-SB	25.4 <i>1.000</i>	31.826 <i>1.253</i>	31.75 <i>1.250</i>	25.425 <i>1.001</i>	47.63 <i>1.875</i>	3.18 <i>0.125</i>	+0.000/-0.025	+0.000/-0.025	+0.127/-0.127	

Indicates item not stocked at time of printing - Please enquire for lead time

E&OE Pricing and all details subject to change without notice - Copyright Miniature Bearings Australia Pty Ltd

MBA Size Listings are a guide to sizes only and must not be solely relied on for critical design information.

Bushes - Bronze - Sintered - Flanged

Part Number	Nominal Shaft Size mm	OD (D) mm	Length (S) mm	Actual ID (d) mm	Flange OD (D1) mm	Flange Thickness (S1) mm	ID Tolerance mm	OD Tolerance mm	Length Tolerance mm	Comments
	<i>inches</i>	<i>inches</i>	<i>inches</i>	<i>inches</i>	<i>inches</i>	<i>inches</i>	<i>inches</i>	<i>inches</i>	<i>inches</i>	
# BF02540-03183-0318-SBO	25.4 <i>1.000</i>	31.826 <i>1.253</i>	31.75 <i>1.250</i>	25.451 <i>1.002</i>	38.1 <i>1.500</i>	4.76 <i>0.187</i>	+0.000/-0.025	+0.000/-0.025	+0.127/-0.127	
# BF02540-03183-0381-SB	25.4 <i>1.000</i>	31.826 <i>1.253</i>	38.1 <i>1.500</i>	25.451 <i>1.002</i>	38.1 <i>1.500</i>	4.76 <i>0.187</i>	+0.000/-0.025	+0.000/-0.025	+0.127/-0.127	
# BF02540-03183-0508-SB	25.4 <i>1.000</i>	31.826 <i>1.253</i>	50.8 <i>2.000</i>	25.451 <i>1.002</i>	38.1 <i>1.500</i>	4.76 <i>0.187</i>	+0.000/-0.025	+0.000/-0.025	+0.127/-0.127	
# BF02540-03341-0381-SB	25.4 <i>1.000</i>	33.414 <i>1.316</i>	38.1 <i>1.500</i>	25.438 <i>1.001</i>	47.63 <i>1.875</i>	4.76 <i>0.187</i>	+0.000/-0.025	+0.000/-0.025	+0.127/-0.127	
# BF02540-03343-0318-SB	25.4 <i>1.000</i>	33.426 <i>1.316</i>	31.75 <i>1.250</i>	25.425 <i>1.001</i>	44.45 <i>1.750</i>	5.56 <i>0.219</i>	+0.000/-0.025	+0.000/-0.025	+0.127/-0.127	
# BF02540-03343-0381-SB	25.4 <i>1.000</i>	33.426 <i>1.316</i>	38.1 <i>1.500</i>	25.425 <i>1.001</i>	44.45 <i>1.750</i>	3.18 <i>0.125</i>	+0.000/-0.025	+0.000/-0.025	+0.127/-0.127	
# BF02540-03500-0254-SB	25.4 <i>1.000</i>	35.001 <i>1.378</i>	25.4 <i>1.000</i>	25.451 <i>1.002</i>	41.28 <i>1.625</i>	4.76 <i>0.187</i>	+0.000/-0.025	+0.000/-0.025	+0.127/-0.127	
# BF02540-03500-0445-SB	25.4 <i>1.000</i>	35.001 <i>1.378</i>	44.45 <i>1.750</i>	25.451 <i>1.002</i>	41.28 <i>1.625</i>	4.76 <i>0.187</i>	+0.000/-0.025	+0.000/-0.025	+0.190/-0.190	
# BF02540-03501-0445-SB	25.4 <i>1.000</i>	35.014 <i>1.379</i>	44.45 <i>1.750</i>	25.4 <i>1.000</i>	44.45 <i>1.750</i>	4.76 <i>0.187</i>	+0.000/-0.025	+0.000/-0.025	+0.190/-0.190	
# BF02540-03501-0508-SB	25.4 <i>1.000</i>	35.014 <i>1.379</i>	50.8 <i>2.000</i>	25.4 <i>1.000</i>	44.45 <i>1.750</i>	3.18 <i>0.125</i>	+0.000/-0.025	+0.000/-0.025	+0.190/-0.190	

Indicates item not stocked at time of printing - Please enquire for lead time

E&OE Pricing and all details subject to change without notice - Copyright Miniature Bearings Australia Pty Ltd

MBA Size Listings are a guide to sizes only and must not be solely relied on for critical design information.

Bushes - Bronze - Sintered - Flanged

Part Number	Nominal Shaft Size mm	OD (D) mm	Length (S) mm	Actual ID (d) mm	Flange OD (D1) mm	Flange Thickness (S1) mm	ID Tolerance mm	OD Tolerance mm	Length Tolerance mm	Comments
	<i>inches</i>	<i>inches</i>	<i>inches</i>	<i>inches</i>	<i>inches</i>	<i>inches</i>	<i>inches</i>	<i>inches</i>	<i>inches</i>	
# BF02858-03498-0191-SB	28.575 <i>1.125</i>	34.976 <i>1.377</i>	19.05 <i>0.750</i>	28.626 <i>1.127</i>	44.45 <i>1.750</i>	3.18 <i>0.125</i>	+0.000/-0.025	+0.000/-0.025	+0.127/-0.127	
# BF02858-03498-0254-SB	28.575 <i>1.125</i>	34.976 <i>1.377</i>	25.4 <i>1.000</i>	28.626 <i>1.127</i>	44.45 <i>1.750</i>	3.18 <i>0.125</i>	+0.000/-0.025	+0.000/-0.025	+0.127/-0.127	
# BF02858-03498-0318-SB	28.575 <i>1.125</i>	34.976 <i>1.377</i>	31.75 <i>1.250</i>	28.626 <i>1.127</i>	44.45 <i>1.750</i>	3.18 <i>0.125</i>	+0.000/-0.025	+0.000/-0.025	+0.127/-0.127	
# BF03175-03818-0127-SB	31.75 <i>1.250</i>	38.176 <i>1.503</i>	12.7 <i>0.500</i>	31.788 <i>1.251</i>	42.86 <i>1.687</i>	3.18 <i>0.125</i>	+0.000/-0.025	+0.000/-0.025	+0.127/-0.127	
# BF03175-03818-0254-SB	31.75 <i>1.250</i>	38.176 <i>1.503</i>	25.4 <i>1.000</i>	31.801 <i>1.252</i>	44.45 <i>1.750</i>	4.76 <i>0.187</i>	+0.000/-0.025	+0.000/-0.025	+0.127/-0.127	
# BF03175-03818-0318-SB	31.75 <i>1.250</i>	38.176 <i>1.503</i>	31.75 <i>1.250</i>	31.788 <i>1.251</i>	42.86 <i>1.687</i>	3.18 <i>0.125</i>	+0.000/-0.025	+0.000/-0.025	+0.127/-0.127	
# BF03175-03818-0318-SBO	31.75 <i>1.250</i>	38.176 <i>1.503</i>	31.75 <i>1.250</i>	31.801 <i>1.252</i>	44.45 <i>1.750</i>	4.76 <i>0.187</i>	+0.000/-0.025	+0.000/-0.025	+0.127/-0.127	
# BF03175-03818-0381-SB	31.75 <i>1.250</i>	38.176 <i>1.503</i>	38.1 <i>1.500</i>	31.801 <i>1.252</i>	50.8 <i>2.000</i>	2.38 <i>0.094</i>	+0.000/-0.025	+0.000/-0.025	+0.127/-0.127	
# BF03175-03818-0445-SB	31.75 <i>1.250</i>	38.176 <i>1.503</i>	44.45 <i>1.750</i>	31.801 <i>1.252</i>	50.8 <i>2.000</i>	2.38 <i>0.094</i>	+0.000/-0.025	+0.000/-0.025	+0.190/-0.190	
# BF03493-04135-0191-SB	34.925 <i>1.375</i>	41.351 <i>1.628</i>	19.05 <i>0.750</i>	34.976 <i>1.377</i>	50.8 <i>2.000</i>	3.18 <i>0.125</i>	+0.000/-0.025	+0.000/-0.038	+0.127/-0.127	

Indicates item not stocked at time of printing - Please enquire for lead time

E&OE Pricing and all details subject to change without notice - Copyright Miniature Bearings Australia Pty Ltd

MBA Size Listings are a guide to sizes only and must not be solely relied on for critical design information.

Bushes - Bronze - Sintered - Flanged

Part Number	Nominal Shaft Size mm	OD (D) mm	Length (S) mm	Actual ID (d) mm	Flange OD (D1) mm	Flange Thickness (S1) mm	ID Tolerance mm	OD Tolerance mm	Length Tolerance mm	Comments
	<i>inches</i>	<i>inches</i>	<i>inches</i>	<i>inches</i>	<i>inches</i>	<i>inches</i>	<i>inches</i>	<i>inches</i>	<i>inches</i>	
# BF03493-04135-0254-SB	34.925 <i>1.375</i>	41.351 <i>1.628</i>	25.4 <i>1.000</i>	34.976 <i>1.377</i>	50.8 <i>2.000</i>	3.18 <i>0.125</i>	+0.000/-0.025	+0.000/-0.038	+0.127/-0.127	
# BF03810-04450-0381-SB	38.1 <i>1.500</i>	44.501 <i>1.752</i>	38.1 <i>1.500</i>	38.176 <i>1.503</i>	50.8 <i>2.000</i>	2.38 <i>0.094</i>	+0.000/-0.025	+0.000/-0.038	+0.127/-0.127	
# BF03810-04455-0381-SB	38.1 <i>1.500</i>	44.552 <i>1.754</i>	38.1 <i>1.500</i>	38.176 <i>1.503</i>	52.39 <i>2.063</i>	4.76 <i>0.187</i>	+0.000/-0.025	+0.000/-0.038	+0.127/-0.127	
# BF04128-05090-0508-SB	41.275 <i>1.625</i>	50.902 <i>2.004</i>	50.8 <i>2.000</i>	41.313 <i>1.626</i>	57.15 <i>2.250</i>	4.76 <i>0.187</i>	+0.000/-0.038	+0.000/-0.038	+0.190/-0.190	
# BF04445-05725-0635-SB	44.45 <i>1.750</i>	57.252 <i>2.254</i>	63.5 <i>2.500</i>	44.526 <i>1.753</i>	76.2 <i>3.000</i>	6.35 <i>0.250</i>	+0.000/-0.038	+0.000/-0.038	+0.190/-0.190	
# BF05080-05725-0191-SB	50.8 <i>2.000</i>	57.252 <i>2.254</i>	19.05 <i>0.750</i>	50.876 <i>2.003</i>	63.5 <i>2.500</i>	3.18 <i>0.125</i>	+0.000/-0.038	+0.000/-0.038	+0.127/-0.127	
# BF05080-05725-0254-SB	50.8 <i>2.000</i>	57.252 <i>2.254</i>	25.4 <i>1.000</i>	50.876 <i>2.003</i>	63.5 <i>2.500</i>	3.18 <i>0.125</i>	+0.000/-0.038	+0.000/-0.038	+0.127/-0.127	
# BF05080-05725-0318-SB	50.8 <i>2.000</i>	57.252 <i>2.254</i>	31.75 <i>1.250</i>	50.876 <i>2.003</i>	63.5 <i>2.500</i>	3.18 <i>0.125</i>	+0.000/-0.038	+0.000/-0.038	+0.127/-0.127	
# BF05080-06353-0603-SB	50.8 <i>2.000</i>	63.525 <i>2.501</i>	60.325 <i>2.375</i>	50.851 <i>2.002</i>	76.2 <i>3.000</i>	9.53 <i>0.375</i>	+0.000/-0.038	+0.000/-0.038	+0.190/-0.190	
# BF06985-08255-0381-SB	69.85 <i>2.750</i>	82.55 <i>3.250</i>	38.1 <i>1.500</i>	69.901 <i>2.752</i>	101.6 <i>4.000</i>	4.76 <i>0.187</i>	+0.000/-0.051	+0.000/-0.051	+0.127/-0.127	

Indicates item not stocked at time of printing - Please enquire for lead time

E&OE Pricing and all details subject to change without notice - Copyright Miniature Bearings Australia Pty Ltd

MBA Size Listings are a guide to sizes only and must not be solely relied on for critical design information.

Bushes - Bronze - Sintered - Flanged

Part Number	Nominal Shaft Size mm	OD (D) mm	Length (S) mm	Actual ID (d) mm	Flange OD (D1) mm	Flange Thickness (S1) mm	ID Tolerance mm	OD Tolerance mm	Length Tolerance mm	Comments
	<i>inches</i>	<i>inches</i>	<i>inches</i>	<i>inches</i>	<i>inches</i>	<i>inches</i>	<i>inches</i>	<i>inches</i>	<i>inches</i>	
# BF07620-08895-0603-SB	76.2 <i>3.000</i>	88.951 <i>3.502</i>	60.325 <i>2.375</i>	76.251 <i>3.002</i>	101.6 <i>4.000</i>	9.53 <i>0.375</i>	+0.000/-0.051	+0.000/-0.051	+0.190/-0.190	

Indicates item not stocked at time of printing - Please enquire for lead time

E&OE Pricing and all details subject to change without notice - Copyright Miniature Bearings Australia Pty Ltd

MBA Size Listings are a guide to sizes only and must not be solely relied on for critical design information.



DISTRIBUTED BY

Ask us to put your name and address here

<http://www.minibearings.com.au/product>

Ph +61 7 3245 7977

Fax +61 7 3245 1017

Catalogue requests to catalogues@minibearings.com.au

