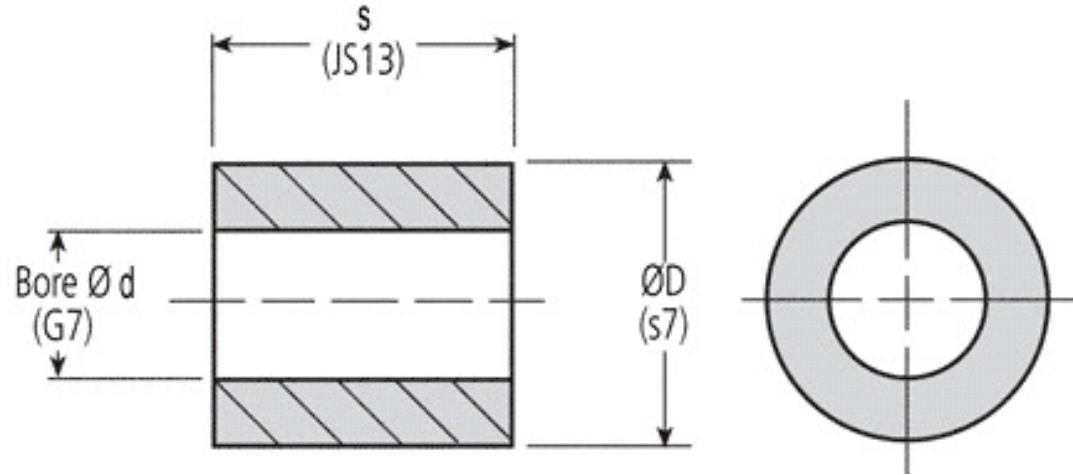




MBA

Bushes - Bronze - Sintered - Unflanged - Oilite

Genuine Oilite oil impregnated sintered bronze bushes.
 Genuine Oilite Sintered Bronze designed to be fitted in H7 housings and f7 shafts
 Static Load: 50N per mm Sq
 Dynamic Load: 15N per mm sq
 Rec Speed Range: 0.3 mtr per second to 0.5 mtr per second
 Limit one Pv factor no greater than 1.8 Pv (Pv= N per mm sq x mtr per second)



Bushes - Bronze - Sintered - Unflanged - Oilite

Part Number	ID (d) mm	OD (D) mm	Length (S) mm	ID Tolerance	OD Tolerance mm	Length Tolerance mm
	<i>inches</i>	<i>inches</i>	<i>inches</i>		<i>inches</i>	<i>inches</i>
# BP00200-00500-0020-SBO	2.000 <i>0.079</i>	5.000 <i>0.197</i>	2.000 <i>0.079</i>	G7	s7	js13
# BP00200-00500-0030-SBO	2.000 <i>0.079</i>	5.000 <i>0.197</i>	3.000 <i>0.118</i>	G7	s7	js13

Indicates item not stocked at time of printing - Please enquire for lead time
 E&OE Pricing and all details subject to change without notice - Copyright Miniature Bearings Australia Pty Ltd
 MBA Size Listings are a guide to sizes only and must not be solely relied on for critical design information.

Bushes - Bronze - Sintered - Unflanged - Oilite

Part Number	ID (d) mm <i>inches</i>	OD (D) mm <i>inches</i>	Length (S) mm <i>inches</i>	ID Tolerance	OD Tolerance mm <i>inches</i>	Length Tolerance mm <i>inches</i>
# BP00300-00500-0030-SBO	3.000 <i>0.118</i>	5.000 <i>0.197</i>	3.000 <i>0.118</i>	G7	s7	js13
# BP00300-00500-0040-SBO	3.000 <i>0.118</i>	5.000 <i>0.197</i>	4.000 <i>0.157</i>	G7	s7	js13
BP00300-00500-0060-SBO	3.000 <i>0.118</i>	5.000 <i>0.197</i>	6.000 <i>0.236</i>	G7	s7	js13
# BP00300-00600-0030-SBO	3.000 <i>0.118</i>	6.000 <i>0.236</i>	3.000 <i>0.118</i>	G7	s7	js13
# BP00300-00600-0040-SBO	3.000 <i>0.118</i>	6.000 <i>0.236</i>	4.000 <i>0.157</i>	G7	s7	js13
# BP00400-00700-0040-SBO	4.000 <i>0.157</i>	7.000 <i>0.276</i>	4.000 <i>0.157</i>	G7	s7	js13
# BP00400-00700-0060-SBO	4.000 <i>0.157</i>	7.000 <i>0.276</i>	6.000 <i>0.236</i>	G7	s7	js13
# BP00400-00800-0040-SBO	4.000 <i>0.157</i>	8.000 <i>0.315</i>	4.000 <i>0.157</i>	G7	s7	js13
# BP00400-00800-0060-SBO	4.000 <i>0.157</i>	8.000 <i>0.315</i>	6.000 <i>0.236</i>	G7	s7	js13
# BP00476-00794-0095-SBO	4.763 <i>0.188</i>	7.938 <i>0.313</i>	9.525 <i>0.375</i>	G7	s7	js13

Indicates item not stocked at time of printing - Please enquire for lead time

E&OE Pricing and all details subject to change without notice - Copyright Miniature Bearings Australia Pty Ltd

MBA Size Listings are a guide to sizes only and must not be solely relied on for critical design information.

Bushes - Bronze - Sintered - Unflanged - Oilite

Part Number	ID (d) mm <i>inches</i>	OD (D) mm <i>inches</i>	Length (S) mm <i>inches</i>	ID Tolerance	OD Tolerance mm <i>inches</i>	Length Tolerance mm <i>inches</i>
# BP00476-00794-0127-SBO	4.763 <i>0.188</i>	7.938 <i>0.313</i>	12.700 <i>0.500</i>	G7	s7	js13
# BP00476-00794-0159-SBO	4.763 <i>0.188</i>	7.938 <i>0.313</i>	15.875 <i>0.625</i>	G7	s7	js13
# BP00476-00794-0191-SBO	4.763 <i>0.188</i>	7.938 <i>0.313</i>	19.050 <i>0.750</i>	G7	s7	js13
# BP00476-00794-0064-SBO	4.763 <i>0.188</i>	7.938 <i>0.313</i>	6.350 <i>0.250</i>	G7	s7	js13
# BP00500-00800-0050-SBO	5.000 <i>0.197</i>	8.000 <i>0.315</i>	5.000 <i>0.197</i>	G7	s7	js13
# BP00500-00800-0080-SBO	5.000 <i>0.197</i>	8.000 <i>0.315</i>	8.000 <i>0.315</i>	G7	s7	js13
# BP00500-00800-0100-SBO	5.000 <i>0.197</i>	8.000 <i>0.315</i>	10.000 <i>0.394</i>	G7	s7	js13
BP00500-00800-0120-SBO	5.000 <i>0.197</i>	8.000 <i>0.315</i>	12.000 <i>0.472</i>	G7	s7	js13
# BP00500-00800-0160-SBO	5.000 <i>0.197</i>	8.000 <i>0.315</i>	16.000 <i>0.630</i>	G7	s7	js13
# BP00500-00900-0050-SBO	5.000 <i>0.197</i>	9.000 <i>0.354</i>	5.000 <i>0.197</i>	G7	s7	js13

Indicates item not stocked at time of printing - Please enquire for lead time

E&OE Pricing and all details subject to change without notice - Copyright Miniature Bearings Australia Pty Ltd

MBA Size Listings are a guide to sizes only and must not be solely relied on for critical design information.

Bushes - Bronze - Sintered - Unflanged - Oilite

Part Number	ID (d) mm <i>inches</i>	OD (D) mm <i>inches</i>	Length (S) mm <i>inches</i>	ID Tolerance	OD Tolerance mm <i>inches</i>	Length Tolerance mm <i>inches</i>
# BP00500-00900-0080-SBO	5.000 <i>0.197</i>	9.000 <i>0.354</i>	8.000 <i>0.315</i>	G7	s7	js13
# BP00600-00900-0040-SBO	6.000 <i>0.236</i>	9.000 <i>0.354</i>	4.000 <i>0.157</i>	G7	s7	js13
# BP00600-00900-0060-SBO	6.000 <i>0.236</i>	9.000 <i>0.354</i>	6.000 <i>0.236</i>	G7	s7	js13
# BP00600-00900-0100-SBO	6.000 <i>0.236</i>	9.000 <i>0.354</i>	10.000 <i>0.394</i>	G7	s7	js13
# BP00600-00900-0120-SBO	6.000 <i>0.236</i>	9.000 <i>0.354</i>	12.000 <i>0.472</i>	G7	s7	js13
BP00600-00900-0160-SBO	6.000 <i>0.236</i>	9.000 <i>0.354</i>	16.000 <i>0.630</i>	G7	s7	js13
# BP00600-01000-0040-SBO	6.000 <i>0.236</i>	10.000 <i>0.394</i>	4.000 <i>0.157</i>	G7	s7	js13
# BP00600-01000-0060-SBO	6.000 <i>0.236</i>	10.000 <i>0.394</i>	6.000 <i>0.236</i>	G7	s7	js13
# BP00600-01000-0100-SBO	6.000 <i>0.236</i>	10.000 <i>0.394</i>	10.000 <i>0.394</i>	G7	s7	js13
# BP00635-00953-0064-SBO	6.350 <i>0.250</i>	7.938 <i>0.313</i>	6.350 <i>0.250</i>	G7	s7	js13

Indicates item not stocked at time of printing - Please enquire for lead time

E&OE Pricing and all details subject to change without notice - Copyright Miniature Bearings Australia Pty Ltd

MBA Size Listings are a guide to sizes only and must not be solely relied on for critical design information.

Bushes - Bronze - Sintered - Unflanged - Oilite

Part Number	ID (d) mm <i>inches</i>	OD (D) mm <i>inches</i>	Length (S) mm <i>inches</i>	ID Tolerance	OD Tolerance mm <i>inches</i>	Length Tolerance mm <i>inches</i>
# BP00635-00953-0095-SBO	6.350 <i>0.250</i>	7.938 <i>0.313</i>	9.525 <i>0.375</i>	G7	s7	js13
# BP00635-00953-0127-SBO	6.350 <i>0.250</i>	7.938 <i>0.313</i>	12.700 <i>0.500</i>	G7	s7	js13
# BP00635-00953-0159-SBO	6.350 <i>0.250</i>	7.938 <i>0.313</i>	15.875 <i>0.625</i>	G7	s7	js13
# BP00635-00953-0191-SBO	6.350 <i>0.250</i>	7.938 <i>0.313</i>	19.050 <i>0.750</i>	G7	s7	js13
# BP00700-01000-0050-SBO	7.000 <i>0.276</i>	10.000 <i>0.394</i>	5.000 <i>0.197</i>	G7	s7	js13
# BP00700-01000-0080-SBO	7.000 <i>0.276</i>	10.000 <i>0.394</i>	8.000 <i>0.315</i>	G7	s7	js13
# BP00700-01000-0100-SBO	7.000 <i>0.276</i>	10.000 <i>0.394</i>	10.000 <i>0.394</i>	G7	s7	js13
BP00700-01100-0080-SBO	7.000 <i>0.276</i>	11.000 <i>0.433</i>	8.000 <i>0.315</i>	G7	s7	js13
# BP00700-01100-0100-SBO	7.000 <i>0.276</i>	11.000 <i>0.433</i>	10.000 <i>0.394</i>	G7	s7	js13
# BP00794-01270-0064-SBO	7.938 <i>0.313</i>	12.700 <i>0.500</i>	6.350 <i>0.250</i>	G7	s7	js13

Indicates item not stocked at time of printing - Please enquire for lead time

E&OE Pricing and all details subject to change without notice - Copyright Miniature Bearings Australia Pty Ltd

MBA Size Listings are a guide to sizes only and must not be solely relied on for critical design information.

Bushes - Bronze - Sintered - Unflanged - Oilite

Part Number	ID (d) mm <i>inches</i>	OD (D) mm <i>inches</i>	Length (S) mm <i>inches</i>	ID Tolerance	OD Tolerance mm <i>inches</i>	Length Tolerance mm <i>inches</i>
# BP00794-01270-0095-SBO	7.938 <i>0.313</i>	12.700 <i>0.500</i>	9.525 <i>0.375</i>	G7	s7	js13
BP00794-01270-0127-SBO	7.938 <i>0.313</i>	12.700 <i>0.500</i>	12.700 <i>0.500</i>	G7	s7	js13
# BP00794-01270-0159-SBO	7.938 <i>0.313</i>	12.700 <i>0.500</i>	15.875 <i>0.625</i>	G7	s7	js13
BP00794-01270-0191-SBO	7.938 <i>0.313</i>	12.700 <i>0.500</i>	19.050 <i>0.750</i>	G7	s7	js13
# BP00800-01100-0060-SBO	8.000 <i>0.315</i>	11.000 <i>0.433</i>	6.000 <i>0.236</i>	G7	s7	js13
# BP00800-01100-0080-SBO	8.000 <i>0.315</i>	11.000 <i>0.433</i>	8.000 <i>0.315</i>	G7	s7	js13
# BP00800-01100-0120-SBO	8.000 <i>0.315</i>	11.000 <i>0.433</i>	12.000 <i>0.472</i>	G7	s7	js13
# BP00800-01200-0060-SBO	8.000 <i>0.315</i>	12.000 <i>0.472</i>	6.000 <i>0.236</i>	G7	s7	js13
# BP00800-01200-0080-SBO	8.000 <i>0.315</i>	12.000 <i>0.472</i>	8.000 <i>0.315</i>	G7	s7	js13
# BP00800-01200-0120-SBO	8.000 <i>0.315</i>	12.000 <i>0.472</i>	12.000 <i>0.472</i>	G7	s7	js13

Indicates item not stocked at time of printing - Please enquire for lead time

E&OE Pricing and all details subject to change without notice - Copyright Miniature Bearings Australia Pty Ltd

MBA Size Listings are a guide to sizes only and must not be solely relied on for critical design information.

Bushes - Bronze - Sintered - Unflanged - Oilite

Part Number	ID (d) mm <i>inches</i>	OD (D) mm <i>inches</i>	Length (S) mm <i>inches</i>	ID Tolerance	OD Tolerance mm <i>inches</i>	Length Tolerance mm <i>inches</i>
# BP00800-01200-0160-SBO	8.000 <i>0.315</i>	12.000 <i>0.472</i>	16.000 <i>0.630</i>	G7	s7	js13
# BP00800-01200-0200-SBO	8.000 <i>0.315</i>	12.000 <i>0.472</i>	20.000 <i>0.787</i>	G7	s7	js13
# BP00900-01200-0100-SBO	9.000 <i>0.354</i>	12.000 <i>0.472</i>	10.000 <i>0.394</i>	G7	s7	js13
BP00900-01200-0140-SBO	9.000 <i>0.354</i>	12.000 <i>0.472</i>	14.000 <i>0.551</i>	G7	s7	js13
# BP00900-01400-0060-SBO	9.000 <i>0.354</i>	14.000 <i>0.551</i>	6.000 <i>0.236</i>	G7	s7	js13
# BP00900-01400-0100-SBO	9.000 <i>0.354</i>	14.000 <i>0.551</i>	10.000 <i>0.394</i>	G7	s7	js13
# BP00900-01400-0140-SBO	9.000 <i>0.354</i>	14.000 <i>0.551</i>	14.000 <i>0.551</i>	G7	s7	js13
# BP00953-01270-0095-SBO	9.525 <i>0.375</i>	12.700 <i>0.500</i>	9.525 <i>0.375</i>	G7	s7	js13
# BP00953-01270-0127-SBO	9.525 <i>0.375</i>	12.700 <i>0.500</i>	12.700 <i>0.500</i>	G7	s7	js13
# BP00953-01270-0159-SBO	9.525 <i>0.375</i>	12.700 <i>0.500</i>	15.875 <i>0.625</i>	G7	s7	js13

Indicates item not stocked at time of printing - Please enquire for lead time

E&OE Pricing and all details subject to change without notice - Copyright Miniature Bearings Australia Pty Ltd

MBA Size Listings are a guide to sizes only and must not be solely relied on for critical design information.

Bushes - Bronze - Sintered - Unflanged - Oilite

Part Number	ID (d) mm <i>inches</i>	OD (D) mm <i>inches</i>	Length (S) mm <i>inches</i>	ID Tolerance	OD Tolerance mm <i>inches</i>	Length Tolerance mm <i>inches</i>
# BP00953-01270-0191-SBO	9.525 <i>0.375</i>	12.700 <i>0.500</i>	19.050 <i>0.750</i>	G7	s7	js13
# BP00953-01270-0222-SBO	9.525 <i>0.375</i>	12.700 <i>0.500</i>	22.225 <i>0.875</i>	G7	s7	js13
# BP00953-01270-0254-SBO	9.525 <i>0.375</i>	12.700 <i>0.500</i>	25.400 <i>1.000</i>	G7	s7	js13
# BP01000-01400-0080-SBO	10.000 <i>0.394</i>	14.000 <i>0.551</i>	8.000 <i>0.315</i>	G7	s7	js13
# BP01000-01400-0100-SBO	10.000 <i>0.394</i>	14.000 <i>0.551</i>	10.000 <i>0.394</i>	G7	s7	js13
# BP01000-01400-0160-SBO	10.000 <i>0.394</i>	14.000 <i>0.551</i>	16.000 <i>0.630</i>	G7	s7	js13
# BP01000-01400-0200-SBO	10.000 <i>0.394</i>	14.000 <i>0.551</i>	20.000 <i>0.787</i>	G7	s7	js13
# BP01000-01400-0250-SBO	10.000 <i>0.394</i>	14.000 <i>0.551</i>	25.000 <i>0.984</i>	G7	s7	js13
# BP01000-01600-0080-SBO	10.000 <i>0.394</i>	16.000 <i>0.630</i>	8.000 <i>0.315</i>	G7	s7	js13
# BP01000-01600-0100-SBO	10.000 <i>0.394</i>	16.000 <i>0.630</i>	10.000 <i>0.394</i>	G7	s7	js13

Indicates item not stocked at time of printing - Please enquire for lead time

E&OE Pricing and all details subject to change without notice - Copyright Miniature Bearings Australia Pty Ltd

MBA Size Listings are a guide to sizes only and must not be solely relied on for critical design information.

Bushes - Bronze - Sintered - Unflanged - Oilite

Part Number	ID (d) mm <i>inches</i>	OD (D) mm <i>inches</i>	Length (S) mm <i>inches</i>	ID Tolerance	OD Tolerance mm <i>inches</i>	Length Tolerance mm <i>inches</i>
# BP01000-01600-0160-SBO	10.000 <i>0.394</i>	16.000 <i>0.630</i>	16.000 <i>0.630</i>	G7	s7	js13
# BP01000-01600-0200-SBO	10.000 <i>0.394</i>	16.000 <i>0.630</i>	20.000 <i>0.787</i>	G7	s7	js13
# BP01000-01600-0250-SBO	10.000 <i>0.394</i>	16.000 <i>0.630</i>	25.000 <i>0.984</i>	G7	s7	js13
# BP01111-01429-0095-SBO	11.113 <i>0.438</i>	14.288 <i>0.563</i>	9.525 <i>0.375</i>	G7	s7	js13
# BP01111-01429-0127-SBO	11.113 <i>0.438</i>	14.288 <i>0.563</i>	12.700 <i>0.500</i>	G7	s7	js13
# BP01111-01429-0159-SBO	11.113 <i>0.438</i>	14.288 <i>0.563</i>	15.875 <i>0.625</i>	G7	s7	js13
# BP01111-01429-0191-SBO	11.113 <i>0.438</i>	14.288 <i>0.563</i>	19.050 <i>0.750</i>	G7	s7	js13
# BP01200-01600-0080-SBO	12.000 <i>0.472</i>	16.000 <i>0.630</i>	8.000 <i>0.315</i>	G7	s7	js13
# BP01200-01600-0120-SBO	12.000 <i>0.472</i>	16.000 <i>0.630</i>	12.000 <i>0.472</i>	G7	s7	js13
# BP01200-01600-0160-SBO	12.000 <i>0.472</i>	16.000 <i>0.630</i>	16.000 <i>0.630</i>	G7	s7	js13

Indicates item not stocked at time of printing - Please enquire for lead time

E&OE Pricing and all details subject to change without notice - Copyright Miniature Bearings Australia Pty Ltd

MBA Size Listings are a guide to sizes only and must not be solely relied on for critical design information.

Bushes - Bronze - Sintered - Unflanged - Oilite

Part Number	ID (d) mm <i>inches</i>	OD (D) mm <i>inches</i>	Length (S) mm <i>inches</i>	ID Tolerance	OD Tolerance mm <i>inches</i>	Length Tolerance mm <i>inches</i>
# BP01200-01600-0200-SBO	12.000 <i>0.472</i>	16.000 <i>0.630</i>	20.000 <i>0.787</i>	G7	s7	js13
# BP01200-01600-0250-SBO	12.000 <i>0.472</i>	16.000 <i>0.630</i>	25.000 <i>0.984</i>	G7	s7	js13
# BP01200-01800-0080-SBO	12.000 <i>0.472</i>	18.000 <i>0.709</i>	8.000 <i>0.315</i>	G7	s7	js13
# BP01200-01800-0120-SBO	12.000 <i>0.472</i>	18.000 <i>0.709</i>	12.000 <i>0.472</i>	G7	s7	js13
# BP01200-01800-0160-SBO	12.000 <i>0.472</i>	18.000 <i>0.709</i>	16.000 <i>0.630</i>	G7	s7	js13
# BP01200-01800-0200-SBO	12.000 <i>0.472</i>	18.000 <i>0.709</i>	20.000 <i>0.787</i>	G7	s7	js13
# BP01200-01800-0250-SBO	12.000 <i>0.472</i>	18.000 <i>0.709</i>	25.000 <i>0.984</i>	G7	s7	js13
# BP01270-01588-0127-SBO	12.700 <i>0.500</i>	15.875 <i>0.625</i>	12.700 <i>0.500</i>	G7	s7	js13
# BP01270-01588-0159-SBO	12.700 <i>0.500</i>	15.875 <i>0.625</i>	15.875 <i>0.625</i>	G7	s7	js13
# BP01270-01588-0191-SBO	12.700 <i>0.500</i>	15.875 <i>0.625</i>	19.050 <i>0.750</i>	G7	s7	js13

Indicates item not stocked at time of printing - Please enquire for lead time

E&OE Pricing and all details subject to change without notice - Copyright Miniature Bearings Australia Pty Ltd

MBA Size Listings are a guide to sizes only and must not be solely relied on for critical design information.

Bushes - Bronze - Sintered - Unflanged - Oilite

Part Number	ID (d) mm <i>inches</i>	OD (D) mm <i>inches</i>	Length (S) mm <i>inches</i>	ID Tolerance	OD Tolerance mm <i>inches</i>	Length Tolerance mm <i>inches</i>
# BP01270-01588-0222-SBO	12.700 <i>0.500</i>	15.875 <i>0.625</i>	22.225 <i>0.875</i>	G7	s7	js13
# BP01270-01588-0254-SBO	12.700 <i>0.500</i>	15.875 <i>0.625</i>	25.400 <i>1.000</i>	G7	s7	js13
# BP01400-01800-0100-SBO	14.000 <i>0.551</i>	18.000 <i>0.709</i>	10.000 <i>0.394</i>	G7	s7	js13
# BP01400-01800-0140-SBO	14.000 <i>0.551</i>	18.000 <i>0.709</i>	14.000 <i>0.551</i>	G7	s7	js13
# BP01400-01800-0200-SBO	14.000 <i>0.551</i>	18.000 <i>0.709</i>	20.000 <i>0.787</i>	G7	s7	js13
# BP01400-02000-0100-SBO	14.000 <i>0.551</i>	20.000 <i>0.787</i>	10.000 <i>0.394</i>	G7	s7	js13
# BP01400-02000-0140-SBO	14.000 <i>0.551</i>	20.000 <i>0.787</i>	14.000 <i>0.551</i>	G7	s7	js13
# BP01400-02000-0200-SBO	14.000 <i>0.551</i>	20.000 <i>0.787</i>	20.000 <i>0.787</i>	G7	s7	js13
# BP01400-02000-0300-SBO	14.000 <i>0.551</i>	20.000 <i>0.787</i>	30.000 <i>1.181</i>	G7	s7	js13
# BP01429-01745-0127-SBO	14.288 <i>0.563</i>	17.450 <i>0.687</i>	12.700 <i>0.500</i>	G7	s7	js13

Indicates item not stocked at time of printing - Please enquire for lead time

E&OE Pricing and all details subject to change without notice - Copyright Miniature Bearings Australia Pty Ltd

MBA Size Listings are a guide to sizes only and must not be solely relied on for critical design information.

Bushes - Bronze - Sintered - Unflanged - Oilite

Part Number	ID (d) mm <i>inches</i>	OD (D) mm <i>inches</i>	Length (S) mm <i>inches</i>	ID Tolerance	OD Tolerance mm <i>inches</i>	Length Tolerance mm <i>inches</i>
# BP01429-01745-0191-SBO	14.288 <i>0.563</i>	17.450 <i>0.687</i>	19.050 <i>0.750</i>	G7	s7	js13
# BP01500-01900-0100-SBO	15.000 <i>0.591</i>	19.000 <i>0.748</i>	10.000 <i>0.394</i>	G7	s7	js13
# BP01500-01900-0150-SBO	15.000 <i>0.591</i>	19.000 <i>0.748</i>	15.000 <i>0.591</i>	G7	s7	js13
# BP01500-01900-0250-SBO	15.000 <i>0.591</i>	19.000 <i>0.748</i>	25.000 <i>0.984</i>	G7	s7	js13
# BP01500-01900-0300-SBO	15.000 <i>0.591</i>	19.000 <i>0.748</i>	30.000 <i>1.181</i>	G7	s7	js13
# BP01500-02100-0150-SBO	15.000 <i>0.591</i>	21.000 <i>0.827</i>	15.000 <i>0.591</i>	G7	s7	js13
# BP01500-02100-0250-SBO	15.000 <i>0.591</i>	21.000 <i>0.827</i>	25.000 <i>0.984</i>	G7	s7	js13
# BP01588-01905-0127-SBO	15.875 <i>0.625</i>	19.050 <i>0.750</i>	12.700 <i>0.500</i>	G7	s7	js13
# BP01588-01905-0159-SBO	15.875 <i>0.625</i>	19.050 <i>0.750</i>	15.875 <i>0.625</i>	G7	s7	js13
# BP01588-01905-0191-SBO	15.875 <i>0.625</i>	19.050 <i>0.750</i>	19.050 <i>0.750</i>	G7	s7	js13

Indicates item not stocked at time of printing - Please enquire for lead time

E&OE Pricing and all details subject to change without notice - Copyright Miniature Bearings Australia Pty Ltd

MBA Size Listings are a guide to sizes only and must not be solely relied on for critical design information.

Bushes - Bronze - Sintered - Unflanged - Oilite

Part Number	ID (d) mm <i>inches</i>	OD (D) mm <i>inches</i>	Length (S) mm <i>inches</i>	ID Tolerance	OD Tolerance mm <i>inches</i>	Length Tolerance mm <i>inches</i>
# BP01588-01905-0222-SBO	15.875 <i>0.625</i>	19.050 <i>0.750</i>	22.225 <i>0.875</i>	G7	s7	js13
# BP01588-01905-0254-SBO	15.875 <i>0.625</i>	19.050 <i>0.750</i>	25.400 <i>1.000</i>	G7	s7	js13
# BP01588-02223-0191-SBO	15.875 <i>0.625</i>	22.225 <i>0.875</i>	19.050 <i>0.750</i>	G7	s7	js13
# BP01588-02223-0222-SBO	15.875 <i>0.625</i>	22.225 <i>0.875</i>	22.225 <i>0.875</i>	G7	s7	js13
# BP01588-02223-0254-SBO	15.875 <i>0.625</i>	22.225 <i>0.875</i>	25.400 <i>1.000</i>	G7	s7	js13
# BP01588-02223-0318-SBO	15.875 <i>0.625</i>	22.225 <i>0.875</i>	31.750 <i>1.250</i>	G7	s7	js13
# BP01600-02000-0120-SBO	16.000 <i>0.630</i>	20.000 <i>0.787</i>	12.000 <i>0.472</i>	G7	s7	js13
BP01600-02000-0160-SBO	16.000 <i>0.630</i>	20.000 <i>0.787</i>	16.000 <i>0.630</i>	G7	s7	js13
BP01600-02000-0250-SBO	16.000 <i>0.630</i>	20.000 <i>0.787</i>	25.000 <i>0.984</i>	G7	s7	js13
# BP01600-02200-0120-SBO	16.000 <i>0.630</i>	22.000 <i>0.866</i>	12.000 <i>0.472</i>	G7	s7	js13

Indicates item not stocked at time of printing - Please enquire for lead time
 E&OE Pricing and all details subject to change without notice - Copyright Miniature Bearings Australia Pty Ltd
 MBA Size Listings are a guide to sizes only and must not be solely relied on for critical design information.

Bushes - Bronze - Sintered - Unflanged - Oilite

Part Number	ID (d) mm <i>inches</i>	OD (D) mm <i>inches</i>	Length (S) mm <i>inches</i>	ID Tolerance	OD Tolerance mm <i>inches</i>	Length Tolerance mm <i>inches</i>
# BP01600-02200-0160-SBO	16.000 <i>0.630</i>	22.000 <i>0.866</i>	16.000 <i>0.630</i>	G7	s7	js13
BP01600-02200-0250-SBO	16.000 <i>0.630</i>	22.000 <i>0.866</i>	25.000 <i>0.984</i>	G7	s7	js13
# BP01600-02200-0300-SBO	16.000 <i>0.630</i>	22.000 <i>0.866</i>	30.000 <i>1.181</i>	G7	s7	js13
# BP01800-02200-0120-SBO	18.000 <i>0.709</i>	22.000 <i>0.866</i>	12.000 <i>0.472</i>	G7	s7	js13
# BP01800-02200-0180-SBO	18.000 <i>0.709</i>	22.000 <i>0.866</i>	18.000 <i>0.709</i>	G7	s7	js13
# BP01800-02200-0300-SBO	18.000 <i>0.709</i>	22.000 <i>0.866</i>	30.000 <i>1.181</i>	G7	s7	js13
# BP01800-02400-0180-SBO	18.000 <i>0.709</i>	24.000 <i>0.945</i>	18.000 <i>0.709</i>	G7	s7	js13
# BP01800-02400-0300-SBO	18.000 <i>0.709</i>	24.000 <i>0.945</i>	30.000 <i>1.181</i>	G7	s7	js13
# BP01905-02223-0127-SBO	19.050 <i>0.750</i>	22.225 <i>0.875</i>	12.700 <i>0.500</i>	G7	s7	js13
# BP01905-02223-0159-SBO	19.050 <i>0.750</i>	22.225 <i>0.875</i>	15.875 <i>0.625</i>	G7	s7	js13

Indicates item not stocked at time of printing - Please enquire for lead time

E&OE Pricing and all details subject to change without notice - Copyright Miniature Bearings Australia Pty Ltd

MBA Size Listings are a guide to sizes only and must not be solely relied on for critical design information.

Bushes - Bronze - Sintered - Unflanged - Oilite

Part Number	ID (d) mm <i>inches</i>	OD (D) mm <i>inches</i>	Length (S) mm <i>inches</i>	ID Tolerance	OD Tolerance mm <i>inches</i>	Length Tolerance mm <i>inches</i>
BP01905-02223-0191-SBO	19.050 <i>0.750</i>	22.225 <i>0.875</i>	19.050 <i>0.750</i>	G7	s7	js13
# BP01905-02223-0254-SBO	19.050 <i>0.750</i>	22.225 <i>0.875</i>	25.400 <i>1.000</i>	G7	s7	js13
# BP01905-02223-0318-SBO	19.050 <i>0.750</i>	22.225 <i>0.875</i>	31.750 <i>1.250</i>	G7	s7	js13
# BP01905-02540-0159-SBO	19.050 <i>0.750</i>	25.400 <i>1.000</i>	15.875 <i>0.625</i>	G7	s7	js13
# BP01905-02540-0191-SBO	19.050 <i>0.750</i>	25.400 <i>1.000</i>	19.050 <i>0.750</i>	G7	s7	js13
# BP01905-02540-0222-SBO	19.050 <i>0.750</i>	25.400 <i>1.000</i>	22.225 <i>0.875</i>	G7	s7	js13
# BP01905-02540-0254-SBO	19.050 <i>0.750</i>	25.400 <i>1.000</i>	25.400 <i>1.000</i>	G7	s7	js13
# BP01905-02540-0318-SBO	19.050 <i>0.750</i>	25.400 <i>1.000</i>	31.750 <i>1.250</i>	G7	s7	js13
# BP02000-02500-0150-SBO	20.000 <i>0.787</i>	25.000 <i>0.984</i>	15.000 <i>0.591</i>	G7	s7	js13
# BP02000-02500-0200-SBO	20.000 <i>0.787</i>	25.000 <i>0.984</i>	20.000 <i>0.787</i>	G7	s7	js13

Indicates item not stocked at time of printing - Please enquire for lead time

E&OE Pricing and all details subject to change without notice - Copyright Miniature Bearings Australia Pty Ltd

MBA Size Listings are a guide to sizes only and must not be solely relied on for critical design information.

Bushes - Bronze - Sintered - Unflanged - Oilite

Part Number	ID (d) mm <i>inches</i>	OD (D) mm <i>inches</i>	Length (S) mm <i>inches</i>	ID Tolerance	OD Tolerance mm <i>inches</i>	Length Tolerance mm <i>inches</i>
# BP02000-02500-0250-SBO	20.000 <i>0.787</i>	25.000 <i>0.984</i>	25.000 <i>0.984</i>	G7	s7	js13
# BP02000-02600-0150-SBO	20.000 <i>0.787</i>	26.000 <i>1.024</i>	15.000 <i>0.591</i>	G7	s7	js13
# BP02000-02600-0200-SBO	20.000 <i>0.787</i>	26.000 <i>1.024</i>	20.000 <i>0.787</i>	G7	s7	js13
# BP02200-02800-0150-SBO	22.000 <i>0.866</i>	28.000 <i>1.102</i>	15.000 <i>0.591</i>	G7	s7	js13
# BP02200-02800-0200-SBO	22.000 <i>0.866</i>	28.000 <i>1.102</i>	20.000 <i>0.787</i>	G7	s7	js13
# BP02200-02800-0250-SBO	22.000 <i>0.866</i>	28.000 <i>1.102</i>	25.000 <i>0.984</i>	G7	s7	js13
# BP02200-02800-0300-SBO	22.000 <i>0.866</i>	28.000 <i>1.102</i>	30.000 <i>1.181</i>	G7	s7	js13
# BP02200-03200-0200-SBO	22.000 <i>0.866</i>	32.000 <i>1.260</i>	20.000 <i>0.787</i>	G7	s7	js13
# BP02200-03200-0500-SBO	22.000 <i>0.866</i>	32.000 <i>1.260</i>	50.000 <i>1.969</i>	G7	s7	js13
# BP02223-02540-0191-SBO	22.225 <i>0.875</i>	25.400 <i>1.000</i>	19.050 <i>0.750</i>	G7	s7	js13

Indicates item not stocked at time of printing - Please enquire for lead time

E&OE Pricing and all details subject to change without notice - Copyright Miniature Bearings Australia Pty Ltd

MBA Size Listings are a guide to sizes only and must not be solely relied on for critical design information.

Bushes - Bronze - Sintered - Unflanged - Oilite

Part Number	ID (d) mm <i>inches</i>	OD (D) mm <i>inches</i>	Length (S) mm <i>inches</i>	ID Tolerance	OD Tolerance mm <i>inches</i>	Length Tolerance mm <i>inches</i>
# BP02223-02540-0254-SBO	22.225 <i>0.875</i>	25.400 <i>1.000</i>	25.400 <i>1.000</i>	G7	s7	js13
# BP02223-02540-0318-SBO	22.225 <i>0.875</i>	25.400 <i>1.000</i>	31.750 <i>1.250</i>	G7	s7	js13
# BP02223-02540-0381-SBO	22.225 <i>0.875</i>	25.400 <i>1.000</i>	38.100 <i>1.500</i>	G7	s7	js13
# BP02223-02858-0191-SBO	22.225 <i>0.875</i>	28.575 <i>1.125</i>	19.050 <i>0.750</i>	G7	s7	js13
# BP02223-02858-0222-SBO	22.225 <i>0.875</i>	28.575 <i>1.125</i>	22.225 <i>0.875</i>	G7	s7	js13
# BP02223-02858-0254-SBO	22.225 <i>0.875</i>	28.575 <i>1.125</i>	25.400 <i>1.000</i>	G7	s7	js13
# BP02223-02858-0318-SBO	22.225 <i>0.875</i>	28.575 <i>1.125</i>	31.750 <i>1.250</i>	G7	s7	js13
# BP02223-02858-0381-SBO	22.225 <i>0.875</i>	28.575 <i>1.125</i>	38.100 <i>1.500</i>	G7	s7	js13
BP02500-03000-0200-SBO	25.000 <i>0.984</i>	30.000 <i>1.181</i>	20.000 <i>0.787</i>	G7	s7	js13
# BP02500-03000-0250-SBO	25.000 <i>0.984</i>	30.000 <i>1.181</i>	25.000 <i>0.984</i>	G7	s7	js13

Indicates item not stocked at time of printing - Please enquire for lead time

E&OE Pricing and all details subject to change without notice - Copyright Miniature Bearings Australia Pty Ltd

MBA Size Listings are a guide to sizes only and must not be solely relied on for critical design information.

Bushes - Bronze - Sintered - Unflanged - Oilite

Part Number	ID (d) mm <i>inches</i>	OD (D) mm <i>inches</i>	Length (S) mm <i>inches</i>	ID Tolerance	OD Tolerance mm <i>inches</i>	Length Tolerance mm <i>inches</i>
# BP02500-03000-0300-SBO	25.000 <i>0.984</i>	30.000 <i>1.181</i>	30.000 <i>1.181</i>	G7	s7	js13
# BP02500-03000-0500-SBO	25.000 <i>0.984</i>	30.000 <i>1.181</i>	50.000 <i>1.969</i>	G7	s7	js13
# BP02500-03500-0250-SBO	25.000 <i>0.984</i>	35.000 <i>1.378</i>	25.000 <i>0.984</i>	G7	s7	js13
# BP02500-03500-0350-SBO	25.000 <i>0.984</i>	35.000 <i>1.378</i>	35.000 <i>1.378</i>	G7	s7	js13
# BP02500-03500-0500-SBO	25.000 <i>0.984</i>	35.000 <i>1.378</i>	50.000 <i>1.969</i>	G7	s7	js13
# BP02540-02858-0191-SBO	25.400 <i>1.000</i>	28.575 <i>1.125</i>	19.050 <i>0.750</i>	G7	s7	js13
# BP02540-02858-0254-SBO	25.400 <i>1.000</i>	28.575 <i>1.125</i>	25.400 <i>1.000</i>	G7	s7	js13
# BP02540-02858-0318-SBO	25.400 <i>1.000</i>	28.575 <i>1.125</i>	31.750 <i>1.250</i>	G7	s7	js13
# BP02540-02858-0381-SBO	25.400 <i>1.000</i>	28.575 <i>1.125</i>	38.100 <i>1.500</i>	G7	s7	js13
# BP02540-03175-0191-SBO	25.400 <i>1.000</i>	31.750 <i>1.250</i>	19.050 <i>0.750</i>	G7	s7	js13

Indicates item not stocked at time of printing - Please enquire for lead time

E&OE Pricing and all details subject to change without notice - Copyright Miniature Bearings Australia Pty Ltd

MBA Size Listings are a guide to sizes only and must not be solely relied on for critical design information.

Bushes - Bronze - Sintered - Unflanged - Oilite

Part Number	ID (d) mm <i>inches</i>	OD (D) mm <i>inches</i>	Length (S) mm <i>inches</i>	ID Tolerance	OD Tolerance mm <i>inches</i>	Length Tolerance mm <i>inches</i>
# BP02540-03175-0222-SBO	25.400 <i>1.000</i>	31.750 <i>1.250</i>	22.225 <i>0.875</i>	G7	s7	js13
# BP02540-03175-0254-SBO	25.400 <i>1.000</i>	31.750 <i>1.250</i>	25.400 <i>1.000</i>	G7	s7	js13
# BP02540-03175-0286-SBO	25.400 <i>1.000</i>	31.750 <i>1.250</i>	28.575 <i>1.125</i>	G7	s7	js13
# BP02540-03175-0318-SBO	25.400 <i>1.000</i>	31.750 <i>1.250</i>	31.750 <i>1.250</i>	G7	s7	js13
# BP02540-03175-0349-SBO	25.400 <i>1.000</i>	31.750 <i>1.250</i>	34.925 <i>1.375</i>	G7	s7	js13
# BP02540-03175-0381-SBO	25.400 <i>1.000</i>	31.750 <i>1.250</i>	38.100 <i>1.500</i>	G7	s7	js13
# BP02540-03175-0413-SBO	25.400 <i>1.000</i>	31.750 <i>1.250</i>	41.275 <i>1.625</i>	G7	s7	js13
# BP02540-03175-0445-SBO	25.400 <i>1.000</i>	31.750 <i>1.250</i>	44.450 <i>1.750</i>	G7	s7	js13
# BP02540-03175-0508-SBO	25.400 <i>1.000</i>	31.750 <i>1.250</i>	50.800 <i>2.000</i>	G7	s7	js13
# BP03000-03500-0200-SBO	30.000 <i>1.181</i>	35.000 <i>1.378</i>	20.000 <i>0.787</i>	G7	s7	js13

Indicates item not stocked at time of printing - Please enquire for lead time

E&OE Pricing and all details subject to change without notice - Copyright Miniature Bearings Australia Pty Ltd

MBA Size Listings are a guide to sizes only and must not be solely relied on for critical design information.

Bushes - Bronze - Sintered - Unflanged - Oilite

Part Number	ID (d) mm <i>inches</i>	OD (D) mm <i>inches</i>	Length (S) mm <i>inches</i>	ID Tolerance	OD Tolerance mm <i>inches</i>	Length Tolerance mm <i>inches</i>
# BP03000-03500-0250-SBO	30.000 <i>1.181</i>	35.000 <i>1.378</i>	25.000 <i>0.984</i>	G7	s7	js13
# BP03000-03500-0300-SBO	30.000 <i>1.181</i>	35.000 <i>1.378</i>	30.000 <i>1.181</i>	G7	s7	js13
# BP03000-04000-0250-SBO	30.000 <i>1.181</i>	40.000 <i>1.575</i>	25.000 <i>0.984</i>	G7	s7	js13
# BP03000-04000-0350-SBO	30.000 <i>1.181</i>	40.000 <i>1.575</i>	35.000 <i>1.378</i>	G7	s7	js13
# BP03000-04000-0500-SBO	30.000 <i>1.181</i>	40.000 <i>1.575</i>	50.000 <i>1.969</i>	G7	s7	js13
# BP04000-04600-0300-SBO	40.000 <i>1.575</i>	46.000 <i>1.811</i>	30.000 <i>1.181</i>	G7	s7	js13
# BP04000-04600-0400-SBO	40.000 <i>1.575</i>	46.000 <i>1.811</i>	40.000 <i>1.575</i>	G7	s7	js13
# BP04000-04600-0500-SBO	40.000 <i>1.575</i>	46.000 <i>1.811</i>	50.000 <i>1.969</i>	G7	s7	js13
# BP04000-05000-0250-SBO	40.000 <i>1.575</i>	50.000 <i>1.969</i>	25.000 <i>0.984</i>	G7	s7	js13
# BP04000-05000-0300-SBO	40.000 <i>1.575</i>	50.000 <i>1.969</i>	30.000 <i>1.181</i>	G7	s7	js13

Indicates item not stocked at time of printing - Please enquire for lead time

E&OE Pricing and all details subject to change without notice - Copyright Miniature Bearings Australia Pty Ltd

MBA Size Listings are a guide to sizes only and must not be solely relied on for critical design information.

Bushes - Bronze - Sintered - Unflanged - Oilite

Part Number	ID (d) mm <i>inches</i>	OD (D) mm <i>inches</i>	Length (S) mm <i>inches</i>	ID Tolerance	OD Tolerance mm <i>inches</i>	Length Tolerance mm <i>inches</i>
# BP04000-05000-0350-SBO	40.000 <i>1.575</i>	50.000 <i>1.969</i>	35.000 <i>1.378</i>	G7	s7	js13
# BP04000-05000-0400-SBO	40.000 <i>1.575</i>	50.000 <i>1.969</i>	40.000 <i>1.575</i>	G7	s7	js13
# BP04000-05000-0500-SBO	40.000 <i>1.575</i>	50.000 <i>1.969</i>	50.000 <i>1.969</i>	G7	s7	js13
# BP04000-05000-0600-SBO	40.000 <i>1.575</i>	50.000 <i>1.969</i>	60.000 <i>2.362</i>	G7	s7	js13
# BP04500-05100-0350-SBO	45.000 <i>1.772</i>	51.000 <i>2.008</i>	35.000 <i>1.378</i>	G8	s8	js13
# BP04500-05100-0450-SBO	45.000 <i>1.772</i>	51.000 <i>2.008</i>	45.000 <i>1.772</i>	G8	s8	js13
# BP04500-05100-0550-SBO	45.000 <i>1.772</i>	51.000 <i>2.008</i>	55.000 <i>2.165</i>	G8	s8	js13
# BP04500-05500-0350-SBO	45.000 <i>1.772</i>	55.000 <i>2.165</i>	35.000 <i>1.378</i>	G8	s8	js13
# BP04500-05500-0450-SBO	45.000 <i>1.772</i>	55.000 <i>2.165</i>	45.000 <i>1.772</i>	G8	s8	js13
# BP04500-05500-0550-SBO	45.000 <i>1.772</i>	55.000 <i>2.165</i>	55.000 <i>2.165</i>	G8	s8	js13

Indicates item not stocked at time of printing - Please enquire for lead time

E&OE Pricing and all details subject to change without notice - Copyright Miniature Bearings Australia Pty Ltd

MBA Size Listings are a guide to sizes only and must not be solely relied on for critical design information.

Bushes - Bronze - Sintered - Unflanged - Oilite

Part Number	ID (d) mm <i>inches</i>	OD (D) mm <i>inches</i>	Length (S) mm <i>inches</i>	ID Tolerance	OD Tolerance mm <i>inches</i>	Length Tolerance mm <i>inches</i>
# BP05000-06000-0300-SBO	50.000 <i>1.969</i>	60.000 <i>2.362</i>	30.000 <i>1.181</i>	G8	s8	js13
# BP05000-06000-0350-SBO	50.000 <i>1.969</i>	60.000 <i>2.362</i>	35.000 <i>1.378</i>	G8	s8	js13
# BP05000-06000-0400-SBO	50.000 <i>1.969</i>	60.000 <i>2.362</i>	40.000 <i>1.575</i>	G8	s8	js13
# BP05000-06000-0500-SBO	50.000 <i>1.969</i>	60.000 <i>2.362</i>	50.000 <i>1.969</i>	G8	s8	js13
# BP06000-06800-0500-SBO	60.000 <i>2.362</i>	68.000 <i>2.677</i>	50.000 <i>1.969</i>	G8	s8	js13
# BP06000-06800-0600-SBO	60.000 <i>2.362</i>	68.000 <i>2.677</i>	60.000 <i>2.362</i>	G8	s8	js13
# BP06000-07200-0500-SBO	60.000 <i>2.362</i>	72.000 <i>2.835</i>	50.000 <i>1.969</i>	G8	s8	js13
# BP06000-07200-0600-SBO	60.000 <i>2.362</i>	72.000 <i>2.835</i>	60.000 <i>2.362</i>	G8	s8	js13
# BP06000-07200-0700-SBO	60.000 <i>2.362</i>	72.000 <i>2.835</i>	70.000 <i>2.756</i>	G8	s8	js13

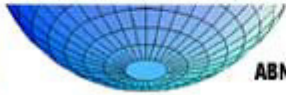
Indicates item not stocked at time of printing - Please enquire for lead time

E&OE Pricing and all details subject to change without notice - Copyright Miniature Bearings Australia Pty Ltd

MBA Size Listings are a guide to sizes only and must not be solely relied on for critical design information.

MBA

MINIATURE BEARINGS AUSTRALIA PTY LTD



ABN 94 069 113 800



DISTRIBUTED BY

Ask us to put your name and address here

<http://www.minibearings.com.au/product>

Ph +61 7 3245 7977

Fax +61 7 3245 1017

Catalogue requests to catalogues@minibearings.com.au

SDPSI
Stock Drive Products / Spring Instrument

JK

ANOTHER QUALITY PRODUCT BY
MOLYTEC
Australia

Origin
BEARING

WIB

THOMSON

EZO



 **myonic**
solutions in microspace

rino



inox
Quality Products

GRW

DualVee^x
Bishop-Wisecarver Corp.

ondrives
Precision Manufacturing

RMB

SOLARBOTICS^{INTL}

KSK
BALL BEARING