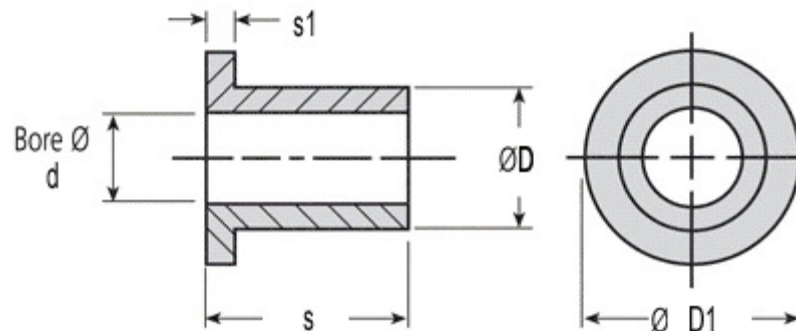




MBA

Bushes - Plastic - Iglidur A200 - Flanged



Food grade for low speeds and direct contact with food and pharmaceuticals.

Specific Gravity 1.14 g/cm³.

Operating Temp 170 C short term / 80 C long term.

Tensile Strength at 20 deg C = 116 Mpa.

Hardness 81 Shore D (DIN53505).

Tolerances listed are after H7 Pressfit.

Bushes - Plastic - Iglidur A200 - Flanged

Part Number	Nom. ID (d) mm	Nom. OD (D) mm	Length (s) mm	Flange OD (D1) mm	Flange Thickness (s1) mm	Tolerance of ID after Pressfit
	<i>inches</i>	<i>inches</i>	<i>inches</i>	<i>inches</i>	<i>inches</i>	
# BF00100-00300-0020-A20	1.000 <i>0.039</i>	3.000 <i>0.118</i>	2.000 <i>0.079</i>	5.00 <i>0.197</i>	1.00 <i>0.039</i>	+0.020/+0.080
# BF00150-00400-0020-A20	1.500 <i>0.059</i>	4.000 <i>0.157</i>	2.000 <i>0.079</i>	6.00 <i>0.236</i>	1.00 <i>0.039</i>	+0.020/+0.080
# BF00200-00500-0030-A20	2.000 <i>0.079</i>	5.000 <i>0.197</i>	3.000 <i>0.118</i>	8.00 <i>0.315</i>	1.50 <i>0.059</i>	+0.020/+0.080

Indicates item not stocked at time of printing - Please enquire for lead time

E&OE Pricing and all details subject to change without notice - Copyright Miniature Bearings Australia Pty Ltd

MBA Size Listings are a guide to sizes only and must not be solely relied on for critical design information.

Bushes - Plastic - Iglidur A200 - Flanged

Part Number	Nom. ID (d) mm	Nom. OD (D) mm	Length (s) mm	Flange OD (D1) mm	Flange Thickness (s1) mm	Tolerance of ID after Pressfit
	<i>inches</i>	<i>inches</i>	<i>inches</i>	<i>inches</i>	<i>inches</i>	
# BF00250-00600-0030-A20	2.500 <i>0.098</i>	6.000 <i>0.236</i>	3.000 <i>0.118</i>	9.00 <i>0.354</i>	1.50 <i>0.059</i>	+0.020/+0.080
# BF00300-00600-0040-A20	3.000 <i>0.118</i>	6.000 <i>0.236</i>	4.000 <i>0.157</i>	9.00 <i>0.354</i>	1.50 <i>0.059</i>	+0.020/+0.080
# BF00318-00635-0064-A20	3.175 <i>0.125</i>	6.350 <i>0.250</i>	6.350 <i>0.250</i>	9.14 <i>0.360</i>	1.94 <i>0.076</i>	
# BF00400-00800-0040-A20	4.000 <i>0.157</i>	8.000 <i>0.315</i>	4.000 <i>0.157</i>	12.00 <i>0.472</i>	2.00 <i>0.079</i>	+0.030/+0.105
# BF00400-00800-0060-A20	4.000 <i>0.157</i>	8.000 <i>0.315</i>	6.000 <i>0.236</i>	12.00 <i>0.472</i>	2.00 <i>0.079</i>	+0.030/+0.105
# BF00476-00794-0064-A20	4.763 <i>0.188</i>	7.938 <i>0.313</i>	6.350 <i>0.250</i>	9.40 <i>0.370</i>	1.94 <i>0.076</i>	
# BF00500-00700-0050-A20	5.000 <i>0.197</i>	7.000 <i>0.276</i>	5.000 <i>0.197</i>	11.00 <i>0.433</i>	1.00 <i>0.039</i>	+0.030/+0.105
# BF00500-00900-0050-A20	5.000 <i>0.197</i>	9.000 <i>0.354</i>	5.000 <i>0.197</i>	13.00 <i>0.512</i>	2.00 <i>0.079</i>	+0.030/+0.105
# BF00500-00900-0060-A20	5.000 <i>0.197</i>	9.000 <i>0.354</i>	6.000 <i>0.236</i>	13.00 <i>0.512</i>	2.00 <i>0.079</i>	+0.030/+0.105
# BF00500-00900-0080-A20	5.000 <i>0.197</i>	9.000 <i>0.354</i>	8.000 <i>0.315</i>	13.00 <i>0.512</i>	2.00 <i>0.079</i>	+0.030/+0.105

Indicates item not stocked at time of printing - Please enquire for lead time

E&OE Pricing and all details subject to change without notice - Copyright Miniature Bearings Australia Pty Ltd

MBA Size Listings are a guide to sizes only and must not be solely relied on for critical design information.

Bushes - Plastic - Iglidur A200 - Flanged

Part Number	Nom. ID (d) mm	Nom. OD (D) mm	Length (s) mm	Flange OD (D1) mm	Flange Thickness (s1) mm	Tolerance of ID after Pressfit
	<i>inches</i>	<i>inches</i>	<i>inches</i>	<i>inches</i>	<i>inches</i>	
# BF00600-01000-0040-A20	6.000 <i>0.236</i>	10.000 <i>0.394</i>	4.000 <i>0.157</i>	14.00 <i>0.551</i>	2.00 <i>0.079</i>	+0.030/+0.105
# BF00600-01000-0060-A20	6.000 <i>0.236</i>	10.000 <i>0.394</i>	6.000 <i>0.236</i>	14.00 <i>0.551</i>	2.00 <i>0.079</i>	+0.030/+0.105
# BF00600-01000-0100-A20	6.000 <i>0.236</i>	10.000 <i>0.394</i>	10.000 <i>0.394</i>	14.00 <i>0.551</i>	2.00 <i>0.079</i>	+0.030/+0.105
# BF00600-01200-0060-A20	6.000 <i>0.236</i>	12.000 <i>0.472</i>	6.000 <i>0.236</i>	14.00 <i>0.551</i>	3.00 <i>0.118</i>	+0.030/+0.105
# BF00600-01200-0100-A20	6.000 <i>0.236</i>	12.000 <i>0.472</i>	10.000 <i>0.394</i>	14.00 <i>0.551</i>	3.00 <i>0.118</i>	+0.030/+0.105
# BF00635-00953-0064-A20	6.350 <i>0.250</i>	9.525 <i>0.375</i>	6.350 <i>0.250</i>	14.22 <i>0.560</i>	1.94 <i>0.076</i>	
# BF00635-00953-0095-A20	6.350 <i>0.250</i>	9.525 <i>0.375</i>	9.525 <i>0.375</i>	14.22 <i>0.560</i>	1.94 <i>0.076</i>	
# BF00700-01100-0080-A20	7.000 <i>0.276</i>	11.000 <i>0.433</i>	8.000 <i>0.315</i>	15.00 <i>0.591</i>	2.00 <i>0.079</i>	+0.040/+0.130
# BF00794-01111-0127-A20	7.938 <i>0.313</i>	11.113 <i>0.438</i>	12.700 <i>0.500</i>	14.22 <i>0.560</i>	1.58 <i>0.062</i>	
# BF00800-01100-0080-A20	8.000 <i>0.315</i>	11.000 <i>0.433</i>	8.000 <i>0.315</i>	13.00 <i>0.512</i>	2.00 <i>0.079</i>	+0.040/+0.130

Indicates item not stocked at time of printing - Please enquire for lead time

E&OE Pricing and all details subject to change without notice - Copyright Miniature Bearings Australia Pty Ltd

MBA Size Listings are a guide to sizes only and must not be solely relied on for critical design information.

Bushes - Plastic - Iglidur A200 - Flanged

Part Number	Nom. ID (d) mm	Nom. OD (D) mm	Length (s) mm	Flange OD (D1) mm	Flange Thickness (s1) mm	Tolerance of ID after Pressfit
	<i>inches</i>	<i>inches</i>	<i>inches</i>	<i>inches</i>	<i>inches</i>	
# BF00800-01200-0060-A20	8.000 <i>0.315</i>	12.000 <i>0.472</i>	6.000 <i>0.236</i>	13.00 <i>0.512</i>	2.00 <i>0.079</i>	+0.040/+0.130
# BF00800-01200-0080-A20	8.000 <i>0.315</i>	12.000 <i>0.472</i>	8.000 <i>0.315</i>	16.00 <i>0.630</i>	2.00 <i>0.079</i>	+0.040/+0.130
# BF00800-01200-0120-A20	8.000 <i>0.315</i>	12.000 <i>0.472</i>	12.000 <i>0.472</i>	16.00 <i>0.630</i>	2.00 <i>0.079</i>	+0.040/+0.130
# BF00800-01200-0220-A20	8.000 <i>0.315</i>	12.000 <i>0.472</i>	22.000 <i>0.866</i>	16.00 <i>0.630</i>	2.00 <i>0.079</i>	+0.040/+0.130
# BF00800-01400-0060-A20	8.000 <i>0.315</i>	14.000 <i>0.551</i>	6.000 <i>0.236</i>	18.00 <i>0.709</i>	3.00 <i>0.118</i>	+0.040/+0.130
# BF00800-01400-0100-A20	8.000 <i>0.315</i>	14.000 <i>0.551</i>	10.000 <i>0.394</i>	18.00 <i>0.709</i>	3.00 <i>0.118</i>	+0.040/+0.130
# BF00900-01400-0060-A20	9.000 <i>0.354</i>	14.000 <i>0.551</i>	6.000 <i>0.236</i>	19.00 <i>0.748</i>	3.00 <i>0.118</i>	+0.040/+0.130
# BF00900-01400-0100-A20	9.000 <i>0.354</i>	14.000 <i>0.551</i>	10.000 <i>0.394</i>	19.00 <i>0.748</i>	3.00 <i>0.118</i>	+0.040/+0.130
# BF00900-01400-0140-A20	9.000 <i>0.354</i>	14.000 <i>0.551</i>	14.000 <i>0.551</i>	19.00 <i>0.748</i>	3.00 <i>0.118</i>	+0.040/+0.130
# BF00953-01270-0064-A20	9.525 <i>0.375</i>	12.700 <i>0.500</i>	6.350 <i>0.250</i>	15.88 <i>0.625</i>	1.58 <i>0.062</i>	

Indicates item not stocked at time of printing - Please enquire for lead time

E&OE Pricing and all details subject to change without notice - Copyright Miniature Bearings Australia Pty Ltd

MBA Size Listings are a guide to sizes only and must not be solely relied on for critical design information.

Bushes - Plastic - Iglidur A200 - Flanged

Part Number	Nom. ID (d) mm	Nom. OD (D) mm	Length (s) mm	Flange OD (D1) mm	Flange Thickness (s1) mm	Tolerance of ID after Pressfit
	<i>inches</i>	<i>inches</i>	<i>inches</i>	<i>inches</i>	<i>inches</i>	
# BF00953-01270-0127-A20	9.525 <i>0.375</i>	12.700 <i>0.500</i>	12.700 <i>0.500</i>	15.88 <i>0.625</i>	1.58 <i>0.062</i>	
# BF01000-01600-0060-A20	10.000 <i>0.394</i>	16.000 <i>0.630</i>	6.000 <i>0.236</i>	22.00 <i>0.866</i>	3.00 <i>0.118</i>	+0.040/+0.130
# BF01000-01600-0080-A20	10.000 <i>0.394</i>	16.000 <i>0.630</i>	8.000 <i>0.315</i>	22.00 <i>0.866</i>	3.00 <i>0.118</i>	+0.040/+0.130
BF01000-01600-0100-A20	10.000 <i>0.394</i>	16.000 <i>0.630</i>	10.000 <i>0.394</i>	22.00 <i>0.866</i>	3.00 <i>0.118</i>	+0.040/+0.130
# BF01000-01600-0160-A20	10.000 <i>0.394</i>	16.000 <i>0.630</i>	16.000 <i>0.630</i>	22.00 <i>0.866</i>	3.00 <i>0.118</i>	+0.040/+0.130
# BF01200-01800-0080-A20	12.000 <i>0.472</i>	18.000 <i>0.709</i>	8.000 <i>0.315</i>	24.00 <i>0.945</i>	3.00 <i>0.118</i>	+0.050/+0.160
BF01200-01800-0100-A20	12.000 <i>0.472</i>	18.000 <i>0.709</i>	10.000 <i>0.394</i>	22.00 <i>0.866</i>	3.00 <i>0.118</i>	+0.050/+0.160
# BF01200-01800-0120-A20	12.000 <i>0.472</i>	18.000 <i>0.709</i>	12.000 <i>0.472</i>	24.00 <i>0.945</i>	3.00 <i>0.118</i>	+0.050/+0.160
# BF01200-01800-0150-A20	12.000 <i>0.472</i>	18.000 <i>0.709</i>	15.000 <i>0.591</i>	22.00 <i>0.866</i>	3.00 <i>0.118</i>	+0.050/+0.160
# BF01200-01800-0200-A20	12.000 <i>0.472</i>	18.000 <i>0.709</i>	20.000 <i>0.787</i>	22.00 <i>0.866</i>	3.00 <i>0.118</i>	+0.050/+0.160

Indicates item not stocked at time of printing - Please enquire for lead time

E&OE Pricing and all details subject to change without notice - Copyright Miniature Bearings Australia Pty Ltd

MBA Size Listings are a guide to sizes only and must not be solely relied on for critical design information.

Bushes - Plastic - Iglidur A200 - Flanged

Part Number	Nom. ID (d) mm	Nom. OD (D) mm	Length (s) mm	Flange OD (D1) mm	Flange Thickness (s1) mm	Tolerance of ID after Pressfit
	<i>inches</i>	<i>inches</i>	<i>inches</i>	<i>inches</i>	<i>inches</i>	
# BF01270-01588-0127-A20	12.700 <i>0.500</i>	15.875 <i>0.625</i>	12.700 <i>0.500</i>	22.23 <i>0.875</i>	1.58 <i>0.062</i>	
# BF01270-01588-0191-A20	12.700 <i>0.500</i>	15.875 <i>0.625</i>	19.050 <i>0.750</i>	22.23 <i>0.875</i>	1.58 <i>0.062</i>	
# BF01400-02000-0100-A20	14.000 <i>0.551</i>	20.000 <i>0.787</i>	10.000 <i>0.394</i>	25.00 <i>0.984</i>	3.00 <i>0.118</i>	+0.050/+0.160
# BF01400-02000-0150-A20	14.000 <i>0.551</i>	20.000 <i>0.787</i>	15.000 <i>0.591</i>	25.00 <i>0.984</i>	3.00 <i>0.118</i>	+0.050/+0.160
# BF01400-02000-0200-A20	14.000 <i>0.551</i>	20.000 <i>0.787</i>	20.000 <i>0.787</i>	25.00 <i>0.984</i>	3.00 <i>0.118</i>	+0.050/+0.160
# BF01500-02100-0100-A20	15.000 <i>0.591</i>	21.000 <i>0.827</i>	10.000 <i>0.394</i>	27.00 <i>1.063</i>	3.00 <i>0.118</i>	+0.050/+0.160
# BF01500-02100-0150-A20	15.000 <i>0.591</i>	21.000 <i>0.827</i>	15.000 <i>0.591</i>	27.00 <i>1.063</i>	3.00 <i>0.118</i>	+0.050/+0.160
# BF01500-02100-0200-A20	15.000 <i>0.591</i>	21.000 <i>0.827</i>	20.000 <i>0.787</i>	27.00 <i>1.063</i>	3.00 <i>0.118</i>	+0.050/+0.160
# BF01500-02100-0250-A20	15.000 <i>0.591</i>	21.000 <i>0.827</i>	25.000 <i>0.984</i>	27.00 <i>1.063</i>	3.00 <i>0.118</i>	+0.050/+0.160
# BF01588-02064-0254-A20	15.875 <i>0.625</i>	20.638 <i>0.813</i>	25.400 <i>1.000</i>	27.00 <i>1.063</i>	3.96 <i>0.156</i>	

Indicates item not stocked at time of printing - Please enquire for lead time

E&OE Pricing and all details subject to change without notice - Copyright Miniature Bearings Australia Pty Ltd

MBA Size Listings are a guide to sizes only and must not be solely relied on for critical design information.

Bushes - Plastic - Iglidur A200 - Flanged

Part Number	Nom. ID (d) mm	Nom. OD (D) mm	Length (s) mm	Flange OD (D1) mm	Flange Thickness (s1) mm	Tolerance of ID after Pressfit
	<i>inches</i>	<i>inches</i>	<i>inches</i>	<i>inches</i>	<i>inches</i>	
# BF01600-02200-0120-A20	16.000 <i>0.630</i>	22.000 <i>0.866</i>	12.000 <i>0.472</i>	28.00 <i>1.102</i>	3.00 <i>0.118</i>	+0.050/+0.160
# BF01600-02200-0150-A20	16.000 <i>0.630</i>	22.000 <i>0.866</i>	15.000 <i>0.591</i>	28.00 <i>1.102</i>	3.00 <i>0.118</i>	+0.050/+0.160
# BF01600-02200-0200-A20	16.000 <i>0.630</i>	22.000 <i>0.866</i>	20.000 <i>0.787</i>	28.00 <i>1.102</i>	3.00 <i>0.118</i>	+0.050/+0.160
# BF01600-02200-0250-A20	16.000 <i>0.630</i>	22.000 <i>0.866</i>	25.000 <i>0.984</i>	28.00 <i>1.102</i>	3.00 <i>0.118</i>	+0.050/+0.160
# BF01800-02400-0120-A20	18.000 <i>0.709</i>	24.000 <i>0.945</i>	12.000 <i>0.472</i>	30.00 <i>1.181</i>	3.00 <i>0.118</i>	+0.050/+0.160
# BF01800-02400-0180-A20	18.000 <i>0.709</i>	24.000 <i>0.945</i>	18.000 <i>0.709</i>	30.00 <i>1.181</i>	3.00 <i>0.118</i>	+0.050/+0.160
# BF01800-02400-0200-A20	18.000 <i>0.709</i>	24.000 <i>0.945</i>	20.000 <i>0.787</i>	30.00 <i>1.181</i>	3.00 <i>0.118</i>	+0.050/+0.160
# BF01800-02400-0300-A20	18.000 <i>0.709</i>	24.000 <i>0.945</i>	30.000 <i>1.181</i>	30.00 <i>1.181</i>	3.00 <i>0.118</i>	+0.050/+0.160
# BF01905-02540-0191-A20	19.050 <i>0.750</i>	25.400 <i>1.000</i>	19.050 <i>0.750</i>	31.75 <i>1.250</i>	3.96 <i>0.156</i>	
# BF01905-02540-0254-A20	19.050 <i>0.750</i>	25.400 <i>1.000</i>	25.400 <i>1.000</i>	31.75 <i>1.250</i>	3.96 <i>0.156</i>	

Indicates item not stocked at time of printing - Please enquire for lead time

E&OE Pricing and all details subject to change without notice - Copyright Miniature Bearings Australia Pty Ltd

MBA Size Listings are a guide to sizes only and must not be solely relied on for critical design information.

Bushes - Plastic - Iglidur A200 - Flanged

Part Number	Nom. ID (d) mm <i>inches</i>	Nom. OD (D) mm <i>inches</i>	Length (s) mm <i>inches</i>	Flange OD (D1) mm <i>inches</i>	Flange Thickness (s1) mm <i>inches</i>	Tolerance of ID after Pressfit
# BF02000-02600-0150-A20	20.000 <i>0.787</i>	26.000 <i>1.024</i>	15.000 <i>0.591</i>	32.00 <i>1.260</i>	3.00 <i>0.118</i>	+0.065/+0.195
# BF02000-02600-0200-A20	20.000 <i>0.787</i>	26.000 <i>1.024</i>	20.000 <i>0.787</i>	32.00 <i>1.260</i>	3.00 <i>0.118</i>	+0.065/+0.195
# BF02000-02600-0300-A20	20.000 <i>0.787</i>	26.000 <i>1.024</i>	30.000 <i>1.181</i>	32.00 <i>1.260</i>	3.00 <i>0.118</i>	+0.065/+0.195
# BF02200-02800-0150-A20	22.000 <i>0.866</i>	28.000 <i>1.102</i>	15.000 <i>0.591</i>	34.00 <i>1.339</i>	3.00 <i>0.118</i>	+0.065/+0.195
# BF02200-02800-0200-A20	22.000 <i>0.866</i>	28.000 <i>1.102</i>	20.000 <i>0.787</i>	34.00 <i>1.339</i>	3.00 <i>0.118</i>	+0.065/+0.195
# BF02200-02800-0300-A20	22.000 <i>0.866</i>	28.000 <i>1.102</i>	30.000 <i>1.181</i>	34.00 <i>1.339</i>	3.00 <i>0.118</i>	+0.065/+0.195
# BF02223-02858-0381-A20	22.225 <i>0.875</i>	28.575 <i>1.125</i>	38.100 <i>1.500</i>	34.93 <i>1.375</i>	3.96 <i>0.156</i>	
# BF02400-03000-0150-A20	24.000 <i>0.945</i>	30.000 <i>1.181</i>	15.000 <i>0.591</i>	36.00 <i>1.417</i>	3.00 <i>0.118</i>	+0.065/+0.195
# BF02400-03000-0200-A20	24.000 <i>0.945</i>	30.000 <i>1.181</i>	20.000 <i>0.787</i>	36.00 <i>1.417</i>	3.00 <i>0.118</i>	+0.065/+0.195
# BF02400-03000-0300-A20	24.000 <i>0.945</i>	30.000 <i>1.181</i>	30.000 <i>1.181</i>	36.00 <i>1.417</i>	3.00 <i>0.118</i>	+0.065/+0.195

Indicates item not stocked at time of printing - Please enquire for lead time

E&OE Pricing and all details subject to change without notice - Copyright Miniature Bearings Australia Pty Ltd

MBA Size Listings are a guide to sizes only and must not be solely relied on for critical design information.

Bushes - Plastic - Iglidur A200 - Flanged

Part Number	Nom. ID (d) mm	Nom. OD (D) mm	Length (s) mm	Flange OD (D1) mm	Flange Thickness (s1) mm	Tolerance of ID after Pressfit
	<i>inches</i>	<i>inches</i>	<i>inches</i>	<i>inches</i>	<i>inches</i>	
# BF02500-03200-0200-A20	25.000 <i>0.984</i>	32.000 <i>1.260</i>	20.000 <i>0.787</i>	38.00 <i>1.496</i>	4.00 <i>0.157</i>	+0.065/+0.195
# BF02500-03200-0300-A20	25.000 <i>0.984</i>	32.000 <i>1.260</i>	30.000 <i>1.181</i>	38.00 <i>1.496</i>	4.00 <i>0.157</i>	+0.065/+0.195
# BF02500-03200-0400-A20	25.000 <i>0.984</i>	32.000 <i>1.260</i>	40.000 <i>1.575</i>	38.00 <i>1.496</i>	4.00 <i>0.157</i>	+0.065/+0.195
# BF02540-03175-0254-A20	25.400 <i>1.000</i>	31.750 <i>1.250</i>	25.400 <i>1.000</i>	38.10 <i>1.500</i>	4.78 <i>0.188</i>	
# BF02540-03175-0381-A20	25.400 <i>1.000</i>	31.750 <i>1.250</i>	38.100 <i>1.500</i>	38.10 <i>1.500</i>	4.78 <i>0.188</i>	
# BF02700-03400-0200-A20	27.000 <i>1.063</i>	34.000 <i>1.339</i>	20.000 <i>0.787</i>	40.00 <i>1.575</i>	4.00 <i>0.157</i>	+0.065/+0.195
# BF02700-03400-0300-A20	27.000 <i>1.063</i>	34.000 <i>1.339</i>	30.000 <i>1.181</i>	40.00 <i>1.575</i>	4.00 <i>0.157</i>	+0.065/+0.195
# BF02700-03400-0400-A20	27.000 <i>1.063</i>	34.000 <i>1.339</i>	40.000 <i>1.575</i>	40.00 <i>1.575</i>	4.00 <i>0.157</i>	+0.065/+0.195
# BF02800-03600-0200-A20	28.000 <i>1.102</i>	36.000 <i>1.417</i>	20.000 <i>0.787</i>	42.00 <i>1.654</i>	4.00 <i>0.157</i>	+0.065/+0.195
# BF02800-03600-0300-A20	28.000 <i>1.102</i>	36.000 <i>1.417</i>	30.000 <i>1.181</i>	42.00 <i>1.654</i>	4.00 <i>0.157</i>	+0.065/+0.195

Indicates item not stocked at time of printing - Please enquire for lead time

E&OE Pricing and all details subject to change without notice - Copyright Miniature Bearings Australia Pty Ltd

MBA Size Listings are a guide to sizes only and must not be solely relied on for critical design information.

Bushes - Plastic - Iglidur A200 - Flanged

Part Number	Nom. ID (d) mm	Nom. OD (D) mm	Length (s) mm	Flange OD (D1) mm	Flange Thickness (s1) mm	Tolerance of ID after Pressfit
	<i>inches</i>	<i>inches</i>	<i>inches</i>	<i>inches</i>	<i>inches</i>	
# BF02800-03600-0400-A20	28.000 <i>1.102</i>	36.000 <i>1.417</i>	40.000 <i>1.575</i>	42.00 <i>1.654</i>	4.00 <i>0.157</i>	+0.065/+0.195
# BF03000-03800-0200-A20	30.000 <i>1.181</i>	38.000 <i>1.496</i>	20.000 <i>0.787</i>	44.00 <i>1.732</i>	4.00 <i>0.157</i>	+0.065/+0.195
# BF03000-03800-0300-A20	30.000 <i>1.181</i>	38.000 <i>1.496</i>	30.000 <i>1.181</i>	44.00 <i>1.732</i>	4.00 <i>0.157</i>	+0.065/+0.195
# BF03000-03800-0400-A20	30.000 <i>1.181</i>	38.000 <i>1.496</i>	40.000 <i>1.575</i>	44.00 <i>1.732</i>	4.00 <i>0.157</i>	+0.065/+0.195
# BF03175-03810-0254-A20	31.750 <i>1.250</i>	38.100 <i>1.500</i>	25.400 <i>1.000</i>	44.45 <i>1.750</i>	5.08 <i>0.200</i>	
# BF03175-03810-0381-A20	31.750 <i>1.250</i>	38.100 <i>1.500</i>	38.100 <i>1.500</i>	44.45 <i>1.750</i>	5.08 <i>0.200</i>	
# BF03200-04000-0200-A20	32.000 <i>1.260</i>	40.000 <i>1.575</i>	20.000 <i>0.787</i>	46.00 <i>1.811</i>	4.00 <i>0.157</i>	+0.080/+0.240
# BF03200-04000-0300-A20	32.000 <i>1.260</i>	40.000 <i>1.575</i>	30.000 <i>1.181</i>	46.00 <i>1.811</i>	4.00 <i>0.157</i>	+0.080/+0.240
# BF03200-04000-0400-A20	32.000 <i>1.260</i>	40.000 <i>1.575</i>	40.000 <i>1.575</i>	46.00 <i>1.811</i>	4.00 <i>0.157</i>	+0.080/+0.240
# BF03810-04445-0254-A20	38.100 <i>1.500</i>	44.450 <i>1.750</i>	25.400 <i>1.000</i>	50.80 <i>2.000</i>	3.18 <i>0.125</i>	

Indicates item not stocked at time of printing - Please enquire for lead time

E&OE Pricing and all details subject to change without notice - Copyright Miniature Bearings Australia Pty Ltd

MBA Size Listings are a guide to sizes only and must not be solely relied on for critical design information.

Bushes - Plastic - Iglidur A200 - Flanged

Part Number	Nom. ID (d) mm	Nom. OD (D) mm	Length (s) mm	Flange OD (D1) mm	Flange Thickness (s1) mm	Tolerance of ID after Pressfit
	<i>inches</i>	<i>inches</i>	<i>inches</i>	<i>inches</i>	<i>inches</i>	
# BF03810-04445-0381-A20	38.100 <i>1.500</i>	44.450 <i>1.750</i>	38.100 <i>1.500</i>	50.80 <i>2.000</i>	3.18 <i>0.125</i>	
# BF04445-05080-0254-A20	44.450 <i>1.750</i>	50.800 <i>2.000</i>	25.400 <i>1.000</i>	57.15 <i>2.250</i>	3.18 <i>0.125</i>	

Indicates item not stocked at time of printing - Please enquire for lead time

E&OE Pricing and all details subject to change without notice - Copyright Miniature Bearings Australia Pty Ltd

MBA Size Listings are a guide to sizes only and must not be solely relied on for critical design information.



DISTRIBUTED BY

Ask us to put your name and address here

<http://www.minibearings.com.au/product>

Ph +61 7 3245 7977

Fax +61 7 3245 1017

Catalogue requests to catalogues@minibearings.com.au

