



MBA

Bushes - Plastic - Iglidur F - Flanged

Electrically conductive. High Compressive Strength. High Temp. Resistant to Chemicals.

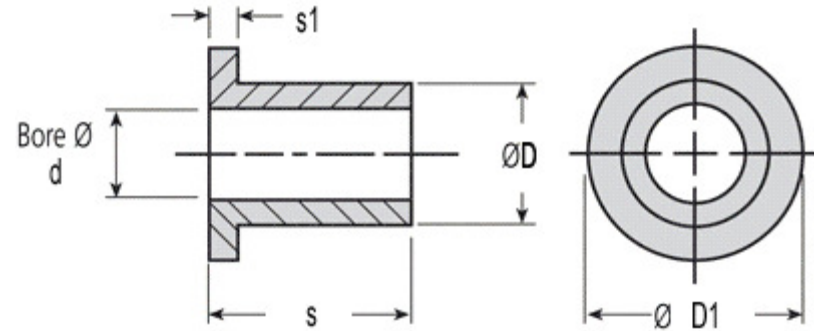
Specific Gravity 1.25 g/cm³.

Operating Temp 180 C short term / 140 C long term.

Tensile Strength at 20 deg C = 260 Mpa.

Hardness 84 Shore D (DIN53505).

Tolerances listed are after H7 Pressfit.



Bushes - Plastic - Iglidur F - Flanged

Part Number	Nom. ID (d) mm	Nom. OD (D) mm	Length (s) mm	Flange OD (D1) mm	Flange Thickness (s1) mm	Tolerance of ID after Pressfit
	<i>inches</i>	<i>inches</i>	<i>inches</i>	<i>inches</i>	<i>inches</i>	
# BF00400-00550-0040-F	4.000 <i>0.157</i>	5.500 <i>0.217</i>	4.000 <i>0.157</i>	9.50 <i>0.374</i>	0.75 <i>0.030</i>	+0.030/+0.105
# BF00400-00550-0060-F	4.000 <i>0.157</i>	5.500 <i>0.217</i>	6.000 <i>0.236</i>	9.50 <i>0.374</i>	0.75 <i>0.030</i>	+0.030/+0.105
# BF00500-00700-0050-F	5.000 <i>0.197</i>	7.000 <i>0.276</i>	5.000 <i>0.197</i>	11.00 <i>0.433</i>	1.00 <i>0.039</i>	+0.030/+0.105

Indicates item not stocked at time of printing - Please enquire for lead time

E&OE Pricing and all details subject to change without notice - Copyright Miniature Bearings Australia Pty Ltd

MBA Size Listings are a guide to sizes only and must not be solely relied on for critical design information.

Bushes - Plastic - Iglidur F - Flanged

Part Number	Nom. ID (d) mm	Nom. OD (D) mm	Length (s) mm	Flange OD (D1) mm	Flange Thickness (s1) mm	Tolerance of ID after Pressfit
	<i>inches</i>	<i>inches</i>	<i>inches</i>	<i>inches</i>	<i>inches</i>	
# BF00600-00800-0080-F	6.000 <i>0.236</i>	8.000 <i>0.315</i>	8.000 <i>0.315</i>	12.00 <i>0.472</i>	1.00 <i>0.039</i>	+0.030/+0.105
# BF00800-01000-0060-F	8.000 <i>0.315</i>	10.000 <i>0.394</i>	6.000 <i>0.236</i>	15.00 <i>0.591</i>	1.00 <i>0.039</i>	+0.040/+0.130
# BF00800-01000-0090-F	8.000 <i>0.315</i>	10.000 <i>0.394</i>	9.000 <i>0.354</i>	15.00 <i>0.591</i>	1.00 <i>0.039</i>	+0.040/+0.130
# BF01000-01200-0060-F	10.000 <i>0.394</i>	12.000 <i>0.472</i>	6.000 <i>0.236</i>	18.00 <i>0.709</i>	1.00 <i>0.039</i>	+0.040/+0.130
# BF01000-01200-0080-F	10.000 <i>0.394</i>	12.000 <i>0.472</i>	8.000 <i>0.315</i>	15.00 <i>0.591</i>	1.00 <i>0.039</i>	+0.040/+0.130
# BF01000-01200-0090-F	10.000 <i>0.394</i>	12.000 <i>0.472</i>	9.000 <i>0.354</i>	18.00 <i>0.709</i>	1.00 <i>0.039</i>	+0.040/+0.130
# BF01000-01200-0150-F	10.000 <i>0.394</i>	12.000 <i>0.472</i>	15.000 <i>0.591</i>	18.00 <i>0.709</i>	1.00 <i>0.039</i>	+0.040/+0.130
# BF01000-01200-0180-F	10.000 <i>0.394</i>	12.000 <i>0.472</i>	18.000 <i>0.709</i>	18.00 <i>0.709</i>	1.00 <i>0.039</i>	+0.040/+0.130
# BF01200-01400-0090-F	12.000 <i>0.472</i>	14.000 <i>0.551</i>	9.000 <i>0.354</i>	20.00 <i>0.787</i>	1.00 <i>0.039</i>	+0.050/+0.160
# BF01200-01400-0120-F	12.000 <i>0.472</i>	14.000 <i>0.551</i>	12.000 <i>0.472</i>	20.00 <i>0.787</i>	1.00 <i>0.039</i>	+0.050/+0.160

Indicates item not stocked at time of printing - Please enquire for lead time

E&OE Pricing and all details subject to change without notice - Copyright Miniature Bearings Australia Pty Ltd

MBA Size Listings are a guide to sizes only and must not be solely relied on for critical design information.

Bushes - Plastic - Iglidur F - Flanged

Part Number	Nom. ID (d) mm	Nom. OD (D) mm	Length (s) mm	Flange OD (D1) mm	Flange Thickness (s1) mm	Tolerance of ID after Pressfit
	<i>inches</i>	<i>inches</i>	<i>inches</i>	<i>inches</i>	<i>inches</i>	
# BF01400-01600-0120-F	14.000 <i>0.551</i>	16.000 <i>0.630</i>	12.000 <i>0.472</i>	22.00 <i>0.866</i>	1.00 <i>0.039</i>	+0.050/+0.160
# BF01400-01600-0170-F	14.000 <i>0.551</i>	16.000 <i>0.630</i>	17.000 <i>0.669</i>	22.00 <i>0.866</i>	1.00 <i>0.039</i>	+0.050/+0.160
# BF01500-01700-0120-F	15.000 <i>0.591</i>	17.000 <i>0.669</i>	12.000 <i>0.472</i>	23.00 <i>0.906</i>	1.00 <i>0.039</i>	+0.050/+0.160
# BF01500-01700-0170-F	15.000 <i>0.591</i>	17.000 <i>0.669</i>	17.000 <i>0.669</i>	23.00 <i>0.906</i>	1.00 <i>0.039</i>	+0.050/+0.160
# BF01600-01800-0170-F	16.000 <i>0.630</i>	18.000 <i>0.709</i>	17.000 <i>0.669</i>	24.00 <i>0.945</i>	1.00 <i>0.039</i>	+0.050/+0.160
# BF01800-02000-0120-F	18.000 <i>0.709</i>	20.000 <i>0.787</i>	12.000 <i>0.472</i>	26.00 <i>1.024</i>	1.00 <i>0.039</i>	+0.050/+0.160
# BF01800-02000-0170-F	18.000 <i>0.709</i>	20.000 <i>0.787</i>	17.000 <i>0.669</i>	26.00 <i>1.024</i>	1.00 <i>0.039</i>	+0.050/+0.160
# BF02000-02300-0210-F	20.000 <i>0.787</i>	23.000 <i>0.906</i>	21.000 <i>0.827</i>	30.00 <i>1.181</i>	1.50 <i>0.059</i>	+0.065/+0.195
# BF02500-02800-0210-F	25.000 <i>0.984</i>	28.000 <i>1.102</i>	21.000 <i>0.827</i>	35.00 <i>1.378</i>	1.50 <i>0.059</i>	+0.065/+0.195
# BF03000-03400-0260-F	30.000 <i>1.181</i>	34.000 <i>1.339</i>	26.000 <i>1.024</i>	42.00 <i>1.654</i>	2.00 <i>0.079</i>	+0.065/+0.195

Indicates item not stocked at time of printing - Please enquire for lead time

E&OE Pricing and all details subject to change without notice - Copyright Miniature Bearings Australia Pty Ltd

MBA Size Listings are a guide to sizes only and must not be solely relied on for critical design information.

Bushes - Plastic - Iglidur F - Flanged

Part Number	Nom. ID (d) mm	Nom. OD (D) mm	Length (s) mm	Flange OD (D1) mm	Flange Thickness (s1) mm	Tolerance of ID after Pressfit
	<i>inches</i>	<i>inches</i>	<i>inches</i>	<i>inches</i>	<i>inches</i>	
# BF03200-03600-0260-F	32.000 <i>1.260</i>	36.000 <i>1.417</i>	26.000 <i>1.024</i>	45.00 <i>1.772</i>	2.00 <i>0.079</i>	+0.080/+0.240
# BF03500-03600-0260-F	35.000 <i>1.378</i>	36.000 <i>1.417</i>	26.000 <i>1.024</i>	47.00 <i>1.850</i>	2.00 <i>0.079</i>	+0.080/+0.240
# BF04000-04400-0300-F	40.000 <i>1.575</i>	44.000 <i>1.732</i>	30.000 <i>1.181</i>	52.00 <i>2.047</i>	2.00 <i>0.079</i>	+0.080/+0.240
# BF04000-04400-0400-F	40.000 <i>1.575</i>	44.000 <i>1.732</i>	40.000 <i>1.575</i>	52.00 <i>2.047</i>	2.00 <i>0.079</i>	+0.080/+0.240
# BF04500-05000-0500-F	45.000 <i>1.772</i>	50.000 <i>1.969</i>	50.000 <i>1.969</i>	58.00 <i>2.283</i>	2.00 <i>0.079</i>	+0.080/+0.240
# BF05000-05500-0400-F	50.000 <i>1.969</i>	55.000 <i>2.165</i>	40.000 <i>1.575</i>	63.00 <i>2.480</i>	2.00 <i>0.079</i>	+0.080/+0.240
# BF06000-06500-0400-F	60.000 <i>2.362</i>	65.000 <i>2.559</i>	40.000 <i>1.575</i>	73.00 <i>2.874</i>	2.00 <i>0.079</i>	+0.100/+0.290
# BF07000-07500-0400-F	70.000 <i>2.756</i>	75.000 <i>2.953</i>	40.000 <i>1.575</i>	83.00 <i>3.268</i>	2.00 <i>0.079</i>	+0.100/+0.290

Indicates item not stocked at time of printing - Please enquire for lead time

E&OE Pricing and all details subject to change without notice - Copyright Miniature Bearings Australia Pty Ltd

MBA Size Listings are a guide to sizes only and must not be solely relied on for critical design information.



DISTRIBUTED BY

Ask us to put your name and address here

<http://www.minibearings.com.au/product>

Ph +61 7 3245 7977

Fax +61 7 3245 1017

Catalogue requests to catalogues@minibearings.com.au

