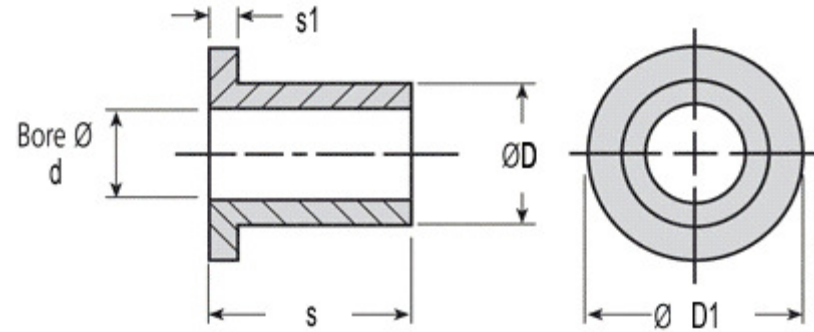




# MBA

## Bushes - Plastic - Iglidur G - Flanged



General purpose maintenance free dry running.

Specific Gravity 1.45 g/cm<sup>3</sup>.

Operating Temp 220 C short term / 130 C long term.

Tensile Strength at 20 deg C 210 Mpa.

Hardness 81 Shore D (DIN53505).

Tolerances listed are after H7 Pressfit.

This catalogue to be read in conjunction with information at [http://www.minibearings.com.au/ogue/tech/materials/iglidur\\_g300.pdf](http://www.minibearings.com.au/ogue/tech/materials/iglidur_g300.pdf)

## Bushes - Plastic - Iglidur G - Flanged

Part Number	Nom. ID (d) mm	Nom. OD (D) mm	Length (s) mm	Flange OD (D1) mm	Flange Thickness (s1) mm	Inner Diameter after Press Fit mm	Tolerance of ID after Pressfit mm	Housing Bore (Max. / Min.)
	<i>inches</i>	<i>inches</i>	<i>inches</i>	<i>inches</i>	<i>inches</i>	<i>inches</i>	<i>inches</i>	
# BF00300-00450-0020-G	3.000 <i>0.118</i>	4.500 <i>0.177</i>	2.000 <i>0.079</i>	7.50 <i>0.295</i>	0.75 <i>0.030</i>		+0.014/+0.054	
# BF00300-00450-0027-G	3.000 <i>0.118</i>	4.500 <i>0.177</i>	2.700 <i>0.106</i>	7.50 <i>0.295</i>	0.75 <i>0.030</i>		+0.014/+0.054	
BF00300-00450-0030-G	3.000 <i>0.118</i>	4.500 <i>0.177</i>	3.000 <i>0.118</i>	7.50 <i>0.295</i>	0.75 <i>0.030</i>	3.054 / 3.014	+0.014/+0.054	4.512 / 4.500

# Indicates item not stocked at time of printing - Please enquire for lead time

E&OE Pricing and all details subject to change without notice - Copyright Miniature Bearings Australia Pty Ltd

MBA Size Listings are a guide to sizes only and must not be solely relied on for critical design information.

## Bushes - Plastic - Iglidur G - Flanged

Part Number	Nom. ID (d) mm	Nom. OD (D) mm	Length (s) mm	Flange OD (D1) mm	Flange Thickness (s1) mm	Inner Diameter after Press Fit mm	Tolerance of ID after Pressfit mm	Housing Bore (Max. / Min.)
	<i>inches</i>	<i>inches</i>	<i>inches</i>	<i>inches</i>	<i>inches</i>	<i>inches</i>	<i>inches</i>	
BF00300-00450-0050-G	3.000 <i>0.118</i>	4.500 <i>0.177</i>	5.000 <i>0.197</i>	7.50 <i>0.295</i>	0.75 <i>0.030</i>		+0.014/+0.054	
# BF00318-00476-0032-G	3.175 <i>0.125</i>	4.763 <i>0.188</i>	3.175 <i>0.125</i>	7.93 <i>0.312</i>	0.81 <i>0.032</i>			
# BF00318-00476-0048-G	3.175 <i>0.125</i>	4.763 <i>0.188</i>	4.763 <i>0.188</i>	7.93 <i>0.312</i>	0.81 <i>0.032</i>			
# BF00318-00476-0064-G	3.175 <i>0.125</i>	4.763 <i>0.188</i>	6.350 <i>0.250</i>	7.93 <i>0.312</i>	0.81 <i>0.032</i>			
# BF00318-00476-0095-G	3.175 <i>0.125</i>	4.763 <i>0.188</i>	9.525 <i>0.375</i>	7.93 <i>0.312</i>	0.81 <i>0.032</i>			
# BF00400-00550-0030-G	4.000 <i>0.157</i>	5.500 <i>0.217</i>	3.000 <i>0.118</i>	9.50 <i>0.374</i>	0.75 <i>0.030</i>		+0.014/+0.054	
BF00400-00550-0040-G	4.000 <i>0.157</i>	5.500 <i>0.217</i>	4.000 <i>0.157</i>	9.50 <i>0.374</i>	0.75 <i>0.030</i>	4.068 / 4.020	+0.020/+0.068	5.512 / 5.500
BF00400-00550-0060-G	4.000 <i>0.157</i>	5.500 <i>0.217</i>	6.000 <i>0.236</i>	9.50 <i>0.374</i>	0.75 <i>0.030</i>		+0.014/+0.054	
BF00476-00635-0064-G	4.763 <i>0.188</i>	6.350 <i>0.250</i>	6.350 <i>0.250</i>	9.53 <i>0.375</i>	0.81 <i>0.032</i>			
# BF00476-00635-0095-G	4.763 <i>0.188</i>	6.350 <i>0.250</i>	9.525 <i>0.375</i>	9.53 <i>0.375</i>	0.81 <i>0.032</i>			

# Indicates item not stocked at time of printing - Please enquire for lead time

E&OE Pricing and all details subject to change without notice - Copyright Miniature Bearings Australia Pty Ltd

MBA Size Listings are a guide to sizes only and must not be solely relied on for critical design information.

## Bushes - Plastic - Iglidur G - Flanged

Part Number	Nom. ID (d) mm <i>inches</i>	Nom. OD (D) mm <i>inches</i>	Length (s) mm <i>inches</i>	Flange OD (D1) mm <i>inches</i>	Flange Thickness (s1) mm <i>inches</i>	Inner Diameter after Press Fit mm <i>inches</i>	Tolerance of ID after Pressfit mm <i>inches</i>	Housing Bore (Max. / Min.)
# BF00476-00635-0127-G	4.763 <i>0.188</i>	6.350 <i>0.250</i>	12.700 <i>0.500</i>	9.53 <i>0.375</i>	0.81 <i>0.032</i>			
# BF00500-00600-0035-G	5.000 <i>0.197</i>	6.000 <i>0.236</i>	3.500 <i>0.138</i>	10.00 <i>0.394</i>	0.50 <i>0.020</i>		+0.010/+0.040	
# BF00500-00600-0040-G	5.000 <i>0.197</i>	6.000 <i>0.236</i>	4.000 <i>0.157</i>	10.00 <i>0.394</i>	0.50 <i>0.020</i>		+0.010/+0.040	
# BF00500-00600-0050-G	5.000 <i>0.197</i>	6.000 <i>0.236</i>	5.000 <i>0.197</i>	10.00 <i>0.394</i>	0.50 <i>0.020</i>	5.040 / 5.010	+ 0.010 / + 0.040	6.012 / 6.000
BF00500-00600-0060-G	5.000 <i>0.197</i>	6.000 <i>0.236</i>	6.000 <i>0.236</i>	10.00 <i>0.394</i>	0.50 <i>0.020</i>	5.040 / 5.010	+0.010/+0.040	6.012 / 6.000
# BF00500-00600-0150-G	5.000 <i>0.197</i>	6.000 <i>0.236</i>	15.000 <i>0.591</i>	10.00 <i>0.394</i>	0.50 <i>0.020</i>		+0.010/+0.040	
# BF00500-00700-0030-G	5.000 <i>0.197</i>	7.000 <i>0.276</i>	3.000 <i>0.118</i>	11.00 <i>0.433</i>	1.00 <i>0.039</i>		+0.020/+0.068	
# BF00500-00700-0040-G	5.000 <i>0.197</i>	7.000 <i>0.276</i>	4.000 <i>0.157</i>	11.00 <i>0.433</i>	1.00 <i>0.039</i>		+0.020/+0.068	
# BF00500-00700-0050-G	5.000 <i>0.197</i>	7.000 <i>0.276</i>	5.000 <i>0.197</i>	11.00 <i>0.433</i>	1.00 <i>0.039</i>		+0.020/+0.068	
# BF00500-00700-0300-G	5.000 <i>0.197</i>	7.000 <i>0.276</i>	30.000 <i>1.181</i>	11.00 <i>0.433</i>	1.00 <i>0.039</i>		+0.020/+0.068	

# Indicates item not stocked at time of printing - Please enquire for lead time

E&OE Pricing and all details subject to change without notice - Copyright Miniature Bearings Australia Pty Ltd

MBA Size Listings are a guide to sizes only and must not be solely relied on for critical design information.

## Bushes - Plastic - Iglidur G - Flanged

Part Number	Nom. ID (d) mm	Nom. OD (D) mm	Length (s) mm	Flange OD (D1) mm	Flange Thickness (s1) mm	Inner Diameter after Press Fit mm	Tolerance of ID after Pressfit mm	Housing Bore (Max. / Min.)
	<i>inches</i>	<i>inches</i>	<i>inches</i>	<i>inches</i>	<i>inches</i>	<i>inches</i>	<i>inches</i>	
BF00600-00700-0060-G	6.000 <i>0.236</i>	7.000 <i>0.276</i>	6.000 <i>0.236</i>	11.00 <i>0.433</i>	0.50 <i>0.020</i>		+0.020/+0.068	
# BF00600-00700-0100-G	6.000 <i>0.236</i>	7.000 <i>0.276</i>	10.000 <i>0.394</i>	11.00 <i>0.433</i>	0.50 <i>0.020</i>		+0.020/+0.068	
BF00600-00800-0040-G	6.000 <i>0.236</i>	8.000 <i>0.315</i>	4.000 <i>0.157</i>	12.00 <i>0.472</i>	1.00 <i>0.039</i>		+0.020/+0.068	
# BF00600-00800-0048-G	6.000 <i>0.236</i>	8.000 <i>0.315</i>	4.800 <i>0.189</i>	12.00 <i>0.472</i>	1.00 <i>0.039</i>		+0.020/+0.068	
# BF00600-00800-0050-G	6.000 <i>0.236</i>	8.000 <i>0.315</i>	5.000 <i>0.197</i>	12.00 <i>0.472</i>	1.00 <i>0.039</i>		+0.020/+0.068	
BF00600-00800-0060-G	6.000 <i>0.236</i>	8.000 <i>0.315</i>	6.000 <i>0.236</i>	12.00 <i>0.472</i>	1.00 <i>0.039</i>		+0.020/+0.068	
BF00600-00800-0080-G	6.000 <i>0.236</i>	8.000 <i>0.315</i>	8.000 <i>0.315</i>	12.00 <i>0.472</i>	1.00 <i>0.039</i>	6.068 / 6.020	+ 0.020 / + 0.068	8.015 / 8.000
# BF00600-00800-0100-G	6.000 <i>0.236</i>	8.000 <i>0.315</i>	10.000 <i>0.394</i>	12.00 <i>0.472</i>	1.00 <i>0.039</i>		+0.020/+0.068	
# BF00600-00800-0120-G	6.000 <i>0.236</i>	8.000 <i>0.315</i>	12.000 <i>0.472</i>	14.00 <i>0.551</i>	1.00 <i>0.039</i>		+0.020/+0.068	
# BF00635-00794-0064-G	6.350 <i>0.250</i>	7.938 <i>0.313</i>	6.350 <i>0.250</i>	12.70 <i>0.500</i>	0.81 <i>0.032</i>			

# Indicates item not stocked at time of printing - Please enquire for lead time

E&OE Pricing and all details subject to change without notice - Copyright Miniature Bearings Australia Pty Ltd

MBA Size Listings are a guide to sizes only and must not be solely relied on for critical design information.

## Bushes - Plastic - Iglidur G - Flanged

Part Number	Nom. ID (d) mm	Nom. OD (D) mm	Length (s) mm	Flange OD (D1) mm	Flange Thickness (s1) mm	Inner Diameter after Press Fit mm	Tolerance of ID after Pressfit mm	Housing Bore (Max. / Min.)
	<i>inches</i>	<i>inches</i>	<i>inches</i>	<i>inches</i>	<i>inches</i>	<i>inches</i>	<i>inches</i>	
# BF00635-00794-0079-G	6.350 <i>0.250</i>	7.938 <i>0.313</i>	7.938 <i>0.313</i>	12.70 <i>0.500</i>	0.81 <i>0.032</i>			
# BF00635-00794-0095-G	6.350 <i>0.250</i>	7.938 <i>0.313</i>	9.525 <i>0.375</i>	12.70 <i>0.500</i>	0.81 <i>0.032</i>			
# BF00635-00794-0127-G	6.350 <i>0.250</i>	7.938 <i>0.313</i>	12.700 <i>0.500</i>	12.70 <i>0.500</i>	0.81 <i>0.032</i>			
# BF00635-00794-0191-G	6.350 <i>0.250</i>	7.938 <i>0.313</i>	19.050 <i>0.750</i>	12.70 <i>0.500</i>	0.81 <i>0.032</i>			
# BF00700-00800-0030-G	7.000 <i>0.276</i>	8.000 <i>0.315</i>	3.000 <i>0.118</i>	12.00 <i>0.472</i>	0.50 <i>0.020</i>		+0.013/+0.049	
# BF00700-00800-0080-G	7.000 <i>0.276</i>	8.000 <i>0.315</i>	8.000 <i>0.315</i>	12.00 <i>0.472</i>	0.50 <i>0.020</i>		+0.013/+0.049	
# BF00700-00900-0060-G	7.000 <i>0.276</i>	9.000 <i>0.354</i>	6.000 <i>0.236</i>	15.00 <i>0.591</i>	1.00 <i>0.039</i>		+0.025/+0.083	
# BF00700-00900-0100-G	7.000 <i>0.276</i>	9.000 <i>0.354</i>	10.000 <i>0.394</i>	15.00 <i>0.591</i>	1.00 <i>0.039</i>		+0.025/+0.083	
# BF00700-00900-0120-G	7.000 <i>0.276</i>	9.000 <i>0.354</i>	12.000 <i>0.472</i>	15.00 <i>0.591</i>	1.00 <i>0.039</i>		+0.025/+0.083	
# BF00794-00953-0127-G	7.937 <i>0.312</i>	9.525 <i>0.375</i>	12.700 <i>0.500</i>	14.28 <i>0.562</i>	0.81 <i>0.032</i>			

# Indicates item not stocked at time of printing - Please enquire for lead time

E&OE Pricing and all details subject to change without notice - Copyright Miniature Bearings Australia Pty Ltd

MBA Size Listings are a guide to sizes only and must not be solely relied on for critical design information.

## Bushes - Plastic - Iglidur G - Flanged

Part Number	Nom. ID (d) mm	Nom. OD (D) mm	Length (s) mm	Flange OD (D1) mm	Flange Thickness (s1) mm	Inner Diameter after Press Fit mm	Tolerance of ID after Pressfit mm	Housing Bore (Max. / Min.)
	<i>inches</i>	<i>inches</i>	<i>inches</i>	<i>inches</i>	<i>inches</i>	<i>inches</i>	<i>inches</i>	
# BF00794-00953-0064-G	7.938 <i>0.313</i>	9.525 <i>0.375</i>	6.350 <i>0.250</i>	14.28 <i>0.562</i>	0.81 <i>0.032</i>			
BF00794-00953-0095-G	7.938 <i>0.313</i>	9.525 <i>0.375</i>	9.525 <i>0.375</i>	14.28 <i>0.562</i>	0.81 <i>0.032</i>			
# BF00794-00953-0191-G	7.938 <i>0.313</i>	9.525 <i>0.375</i>	19.050 <i>0.750</i>	14.28 <i>0.562</i>	0.81 <i>0.032</i>			
# BF00800-00900-0080-G	8.000 <i>0.315</i>	9.000 <i>0.354</i>	8.000 <i>0.315</i>	15.00 <i>0.591</i>	0.50 <i>0.020</i>		+0.013/+0.049	
# BF00800-01000-0020-G	8.000 <i>0.315</i>	10.000 <i>0.394</i>	2.000 <i>0.079</i>	15.00 <i>0.591</i>	1.00 <i>0.039</i>		+0.025/+0.083	
# BF00800-01000-0030-G	8.000 <i>0.315</i>	10.000 <i>0.394</i>	3.000 <i>0.118</i>	15.00 <i>0.591</i>	1.00 <i>0.039</i>		+0.025/+0.083	
# BF00800-01000-0040-G	8.000 <i>0.315</i>	10.000 <i>0.394</i>	4.000 <i>0.157</i>	15.00 <i>0.591</i>	1.00 <i>0.039</i>		+0.025/+0.083	
# BF00800-01000-0055-G	8.000 <i>0.315</i>	10.000 <i>0.394</i>	5.500 <i>0.217</i>	15.00 <i>0.591</i>	1.00 <i>0.039</i>		+0.025/+0.083	
# BF00800-01000-0075-G	8.000 <i>0.315</i>	10.000 <i>0.394</i>	7.500 <i>0.295</i>	15.00 <i>0.591</i>	1.00 <i>0.039</i>		+0.025/+0.083	
# BF00800-01000-0095-G	8.000 <i>0.315</i>	10.000 <i>0.394</i>	9.500 <i>0.374</i>	15.00 <i>0.591</i>	1.00 <i>0.039</i>		+0.025/+0.083	

# Indicates item not stocked at time of printing - Please enquire for lead time

E&OE Pricing and all details subject to change without notice - Copyright Miniature Bearings Australia Pty Ltd

MBA Size Listings are a guide to sizes only and must not be solely relied on for critical design information.

## Bushes - Plastic - Iglidur G - Flanged

Part Number	Nom. ID (d) mm	Nom. OD (D) mm	Length (s) mm	Flange OD (D1) mm	Flange Thickness (s1) mm	Inner Diameter after Press Fit mm	Tolerance of ID after Pressfit mm	Housing Bore (Max. / Min.)
	<i>inches</i>	<i>inches</i>	<i>inches</i>	<i>inches</i>	<i>inches</i>	<i>inches</i>	<i>inches</i>	
BF00800-01000-0100-G	8.000 <i>0.315</i>	10.000 <i>0.394</i>	10.000 <i>0.394</i>	15.00 <i>0.591</i>	1.00 <i>0.039</i>	8.083 / 8.025	+ 0.025 / + 0.083	10.015 / 10.000
# BF00800-01000-0150-G	8.000 <i>0.315</i>	10.000 <i>0.394</i>	15.000 <i>0.591</i>	15.00 <i>0.591</i>	1.00 <i>0.039</i>		+0.025/+0.083	
# BF00800-01000-0250-G	8.000 <i>0.315</i>	10.000 <i>0.394</i>	25.000 <i>0.984</i>	15.00 <i>0.591</i>	1.00 <i>0.039</i>		+0.025/+0.083	
# BF00800-01000-0300-G	8.000 <i>0.315</i>	10.000 <i>0.394</i>	30.000 <i>1.181</i>	15.00 <i>0.591</i>	1.00 <i>0.039</i>		+0.025/+0.083	
# BF00900-01000-0065-G	9.000 <i>0.354</i>	10.000 <i>0.394</i>	6.500 <i>0.256</i>	15.00 <i>0.591</i>	1.00 <i>0.039</i>		+0.013/+0.049	
# BF00953-01191-0064-G	9.525 <i>0.375</i>	11.906 <i>0.469</i>	6.350 <i>0.250</i>	17.45 <i>0.687</i>	1.17 <i>0.046</i>			
# BF00953-01191-0079-G	9.525 <i>0.375</i>	11.906 <i>0.469</i>	7.938 <i>0.313</i>	17.45 <i>0.687</i>	1.17 <i>0.046</i>			
# BF00953-01191-0095-G	9.525 <i>0.375</i>	11.906 <i>0.469</i>	9.525 <i>0.375</i>	17.45 <i>0.687</i>	1.17 <i>0.046</i>			
# BF00953-01191-0127-G	9.525 <i>0.375</i>	11.906 <i>0.469</i>	12.700 <i>0.500</i>	17.45 <i>0.687</i>	1.17 <i>0.046</i>			
# BF00953-01191-0191-G	9.525 <i>0.375</i>	11.906 <i>0.469</i>	19.050 <i>0.750</i>	17.45 <i>0.687</i>	1.17 <i>0.046</i>			

# Indicates item not stocked at time of printing - Please enquire for lead time

E&OE Pricing and all details subject to change without notice - Copyright Miniature Bearings Australia Pty Ltd

MBA Size Listings are a guide to sizes only and must not be solely relied on for critical design information.

## Bushes - Plastic - Iglidur G - Flanged

Part Number	Nom. ID (d) mm <i>inches</i>	Nom. OD (D) mm <i>inches</i>	Length (s) mm <i>inches</i>	Flange OD (D1) mm <i>inches</i>	Flange Thickness (s1) mm <i>inches</i>	Inner Diameter after Press Fit mm <i>inches</i>	Tolerance of ID after Pressfit mm <i>inches</i>	Housing Bore (Max. / Min.)
# BF00953-01191-0222-G	9.525 <i>0.375</i>	11.906 <i>0.469</i>	22.225 <i>0.875</i>	17.45 <i>0.687</i>	1.17 <i>0.046</i>			
# BF01000-01100-0100-G	10.000 <i>0.394</i>	11.000 <i>0.433</i>	10.000 <i>0.394</i>	15.00 <i>0.591</i>	0.50 <i>0.020</i>		+0.013/+0.049	
# BF01000-01200-0035-G	10.000 <i>0.394</i>	12.000 <i>0.472</i>	3.500 <i>0.138</i>	18.00 <i>0.709</i>	1.00 <i>0.039</i>		+0.025/+0.083	
# BF01000-01200-0040-G	10.000 <i>0.394</i>	12.000 <i>0.472</i>	4.000 <i>0.157</i>	18.00 <i>0.709</i>	1.00 <i>0.039</i>		+0.025/+0.083	
# BF01000-01200-0050-G	10.000 <i>0.394</i>	12.000 <i>0.472</i>	5.000 <i>0.197</i>	18.00 <i>0.709</i>	1.00 <i>0.039</i>		+0.025/+0.083	
# BF01000-01200-0060-G	10.000 <i>0.394</i>	12.000 <i>0.472</i>	6.000 <i>0.236</i>	18.00 <i>0.709</i>	1.00 <i>0.039</i>		+0.025/+0.083	
# BF01000-01200-0070-G	10.000 <i>0.394</i>	12.000 <i>0.472</i>	7.000 <i>0.276</i>	18.00 <i>0.709</i>	1.00 <i>0.039</i>		+0.025/+0.083	
# BF01000-01200-0090-G	10.000 <i>0.394</i>	12.000 <i>0.472</i>	9.000 <i>0.354</i>	18.00 <i>0.709</i>	1.00 <i>0.039</i>		+0.025/+0.083	
BF01000-01200-0100-G	10.000 <i>0.394</i>	12.000 <i>0.472</i>	10.000 <i>0.394</i>	18.00 <i>0.709</i>	1.00 <i>0.039</i>		+0.025/+0.083	
BF01000-01200-0120-G	10.000 <i>0.394</i>	12.000 <i>0.472</i>	12.000 <i>0.472</i>	18.00 <i>0.709</i>	1.00 <i>0.039</i>	10.098 / 10.040	+ 0.025 / + 0.083	12.018 / 12.000

# Indicates item not stocked at time of printing - Please enquire for lead time

E&OE Pricing and all details subject to change without notice - Copyright Miniature Bearings Australia Pty Ltd

MBA Size Listings are a guide to sizes only and must not be solely relied on for critical design information.

## Bushes - Plastic - Iglidur G - Flanged

Part Number	Nom. ID (d) mm	Nom. OD (D) mm	Length (s) mm	Flange OD (D1) mm	Flange Thickness (s1) mm	Inner Diameter after Press Fit mm	Tolerance of ID after Pressfit mm	Housing Bore (Max. / Min.)
	<i>inches</i>	<i>inches</i>	<i>inches</i>	<i>inches</i>	<i>inches</i>	<i>inches</i>	<i>inches</i>	
BF01000-01200-0150-G	10.000 <i>0.394</i>	12.000 <i>0.472</i>	15.000 <i>0.591</i>	18.00 <i>0.709</i>	1.00 <i>0.039</i>		+0.025/+0.083	
# BF01000-01200-0170-G	10.000 <i>0.394</i>	12.000 <i>0.472</i>	17.000 <i>0.669</i>	18.00 <i>0.709</i>	1.00 <i>0.039</i>		+0.025/+0.083	
# BF01111-01349-0064-G	11.113 <i>0.438</i>	13.494 <i>0.531</i>	6.350 <i>0.250</i>	19.05 <i>0.750</i>	1.17 <i>0.046</i>			
BF01111-01349-0127-G	11.113 <i>0.438</i>	13.494 <i>0.531</i>	12.700 <i>0.500</i>	19.05 <i>0.750</i>	1.17 <i>0.046</i>			
# BF01200-01300-0030-G	12.000 <i>0.472</i>	13.000 <i>0.512</i>	3.000 <i>0.118</i>	17.00 <i>0.669</i>	0.50 <i>0.020</i>		+0.016/+0.059	
# BF01200-01300-0120-G	12.000 <i>0.472</i>	13.000 <i>0.512</i>	12.000 <i>0.472</i>	17.00 <i>0.669</i>	0.50 <i>0.020</i>		+0.016/+0.059	
BF01200-01400-0060-G	12.000 <i>0.472</i>	14.000 <i>0.551</i>	6.000 <i>0.236</i>	20.00 <i>0.787</i>	1.00 <i>0.039</i>		+0.032/+0.102	
# BF01200-01400-0070-G	12.000 <i>0.472</i>	14.000 <i>0.551</i>	7.000 <i>0.276</i>	20.00 <i>0.787</i>	1.00 <i>0.039</i>		+0.032/+0.102	
# BF01200-01400-0090-G	12.000 <i>0.472</i>	14.000 <i>0.551</i>	9.000 <i>0.354</i>	20.00 <i>0.787</i>	1.00 <i>0.039</i>		+0.032/+0.102	
# BF01200-01400-0100-G	12.000 <i>0.472</i>	14.000 <i>0.551</i>	10.000 <i>0.394</i>	20.00 <i>0.787</i>	1.00 <i>0.039</i>		+0.032/+0.102	

# Indicates item not stocked at time of printing - Please enquire for lead time

E&OE Pricing and all details subject to change without notice - Copyright Miniature Bearings Australia Pty Ltd

MBA Size Listings are a guide to sizes only and must not be solely relied on for critical design information.

## Bushes - Plastic - Iglidur G - Flanged

Part Number	Nom. ID (d) mm	Nom. OD (D) mm	Length (s) mm	Flange OD (D1) mm	Flange Thickness (s1) mm	Inner Diameter after Press Fit mm	Tolerance of ID after Pressfit mm	Housing Bore (Max. / Min.)
	<i>inches</i>	<i>inches</i>	<i>inches</i>	<i>inches</i>	<i>inches</i>	<i>inches</i>	<i>inches</i>	
# BF01200-01400-0110-G	12.000 <i>0.472</i>	14.000 <i>0.551</i>	11.000 <i>0.433</i>	20.00 <i>0.787</i>	1.00 <i>0.039</i>		+0.032/+0.102	
# BF01200-01400-0120-G	12.000 <i>0.472</i>	14.000 <i>0.551</i>	12.000 <i>0.472</i>	20.00 <i>0.787</i>	1.00 <i>0.039</i>	12.102 / 12.032	+ 0.032 / + 0.102	14.018 / 14.000
BF01200-01400-0150-G	12.000 <i>0.472</i>	14.000 <i>0.551</i>	15.000 <i>0.591</i>	20.00 <i>0.787</i>	1.00 <i>0.039</i>	12.102 / 12.032	+ 0.032 / + 0.102	14.018 / 14.000
# BF01200-01400-0170-G	12.000 <i>0.472</i>	14.000 <i>0.551</i>	17.000 <i>0.669</i>	20.00 <i>0.787</i>	1.00 <i>0.039</i>		+0.032/+0.102	
# BF01200-01400-0200-G	12.000 <i>0.472</i>	14.000 <i>0.551</i>	20.000 <i>0.787</i>	20.00 <i>0.787</i>	1.00 <i>0.039</i>		+0.032/+0.102	
# BF01200-01400-0240-G	12.000 <i>0.472</i>	14.000 <i>0.551</i>	24.000 <i>0.945</i>	20.00 <i>0.787</i>	1.00 <i>0.039</i>		+0.032/+0.102	
# BF01270-01508-0064-G	12.700 <i>0.500</i>	15.081 <i>0.594</i>	6.350 <i>0.250</i>	22.23 <i>0.875</i>	1.17 <i>0.046</i>			
# BF01270-01508-0079-G	12.700 <i>0.500</i>	15.081 <i>0.594</i>	7.938 <i>0.313</i>	22.23 <i>0.875</i>	1.17 <i>0.046</i>			
# BF01270-01508-0095-G	12.700 <i>0.500</i>	15.081 <i>0.594</i>	9.525 <i>0.375</i>	22.23 <i>0.875</i>	1.17 <i>0.046</i>			
# BF01270-01508-0127-G	12.700 <i>0.500</i>	15.081 <i>0.594</i>	12.700 <i>0.500</i>	22.23 <i>0.875</i>	1.17 <i>0.046</i>			

# Indicates item not stocked at time of printing - Please enquire for lead time

E&OE Pricing and all details subject to change without notice - Copyright Miniature Bearings Australia Pty Ltd

MBA Size Listings are a guide to sizes only and must not be solely relied on for critical design information.

## Bushes - Plastic - Iglidur G - Flanged

Part Number	Nom. ID (d) mm <i>inches</i>	Nom. OD (D) mm <i>inches</i>	Length (s) mm <i>inches</i>	Flange OD (D1) mm <i>inches</i>	Flange Thickness (s1) mm <i>inches</i>	Inner Diameter after Press Fit mm <i>inches</i>	Tolerance of ID after Pressfit mm <i>inches</i>	Housing Bore (Max. / Min.)
# BF01270-01508-0191-G	12.700 <i>0.500</i>	15.081 <i>0.594</i>	19.050 <i>0.750</i>	22.23 <i>0.875</i>	1.17 <i>0.046</i>			
# BF01270-01508-0254-G	12.700 <i>0.500</i>	15.081 <i>0.594</i>	25.400 <i>1.000</i>	22.23 <i>0.875</i>	1.17 <i>0.046</i>			
# BF01300-01500-0060-G	13.000 <i>0.512</i>	15.000 <i>0.591</i>	6.000 <i>0.236</i>	22.00 <i>0.866</i>	1.00 <i>0.039</i>		+0.032/+0.102	
# BF01400-01600-0030-G	14.000 <i>0.551</i>	16.000 <i>0.630</i>	3.000 <i>0.118</i>	22.00 <i>0.866</i>	1.00 <i>0.039</i>		+0.032/+0.102	
# BF01400-01600-0040-G	14.000 <i>0.551</i>	16.000 <i>0.630</i>	4.000 <i>0.157</i>	22.00 <i>0.866</i>	1.00 <i>0.039</i>		+0.032/+0.102	
# BF01400-01600-0060-G	14.000 <i>0.551</i>	16.000 <i>0.630</i>	6.000 <i>0.236</i>	22.00 <i>0.866</i>	1.00 <i>0.039</i>		+0.032/+0.102	
# BF01400-01600-0080-G	14.000 <i>0.551</i>	16.000 <i>0.630</i>	8.000 <i>0.315</i>	22.00 <i>0.866</i>	1.00 <i>0.039</i>		+0.032/+0.102	
# BF01400-01600-0120-G	14.000 <i>0.551</i>	16.000 <i>0.630</i>	12.000 <i>0.472</i>	22.00 <i>0.866</i>	1.00 <i>0.039</i>		+0.032/+0.102	
# BF01400-01600-0170-G	14.000 <i>0.551</i>	16.000 <i>0.630</i>	17.000 <i>0.669</i>	22.00 <i>0.866</i>	1.00 <i>0.039</i>		+0.032/+0.102	
# BF01400-01600-0210-G	14.000 <i>0.551</i>	16.000 <i>0.630</i>	21.000 <i>0.827</i>	22.00 <i>0.866</i>	1.00 <i>0.039</i>		+0.032/+0.102	

# Indicates item not stocked at time of printing - Please enquire for lead time

E&OE Pricing and all details subject to change without notice - Copyright Miniature Bearings Australia Pty Ltd

MBA Size Listings are a guide to sizes only and must not be solely relied on for critical design information.

## Bushes - Plastic - Iglidur G - Flanged

Part Number	Nom. ID (d) mm	Nom. OD (D) mm	Length (s) mm	Flange OD (D1) mm	Flange Thickness (s1) mm	Inner Diameter after Press Fit mm	Tolerance of ID after Pressfit mm	Housing Bore (Max. / Min.)
	<i>inches</i>	<i>inches</i>	<i>inches</i>	<i>inches</i>	<i>inches</i>	<i>inches</i>	<i>inches</i>	
# BF01500-01600-0020-G	15.000 <i>0.591</i>	16.000 <i>0.630</i>	2.000 <i>0.079</i>	20.00 <i>0.787</i>	0.50 <i>0.020</i>		+0.016/+0.059	
# BF01500-01600-0025-G	15.000 <i>0.591</i>	16.000 <i>0.630</i>	2.500 <i>0.098</i>	20.00 <i>0.787</i>	0.50 <i>0.020</i>		+0.016/+0.059	
# BF01500-01600-0030-G	15.000 <i>0.591</i>	16.000 <i>0.630</i>	3.000 <i>0.118</i>	20.00 <i>0.787</i>	0.50 <i>0.020</i>		+0.016/+0.059	
# BF01500-01600-0150-G	15.000 <i>0.591</i>	16.000 <i>0.630</i>	15.000 <i>0.591</i>	20.00 <i>0.787</i>	0.50 <i>0.020</i>		+0.016/+0.059	
# BF01500-01700-0040-G	15.000 <i>0.591</i>	17.000 <i>0.669</i>	4.000 <i>0.157</i>	23.00 <i>0.906</i>	1.00 <i>0.039</i>		+0.032/+0.102	
# BF01500-01700-0045-G	15.000 <i>0.591</i>	17.000 <i>0.669</i>	4.500 <i>0.177</i>	23.00 <i>0.906</i>	1.00 <i>0.039</i>		+0.032/+0.102	
# BF01500-01700-0050-G	15.000 <i>0.591</i>	17.000 <i>0.669</i>	5.000 <i>0.197</i>	23.00 <i>0.906</i>	1.00 <i>0.039</i>		+0.032/+0.102	
# BF01500-01700-0090-G	15.000 <i>0.591</i>	17.000 <i>0.669</i>	9.000 <i>0.354</i>	23.00 <i>0.906</i>	1.00 <i>0.039</i>		+0.032/+0.102	
# BF01500-01700-0120-G	15.000 <i>0.591</i>	17.000 <i>0.669</i>	12.000 <i>0.472</i>	23.00 <i>0.906</i>	1.00 <i>0.039</i>		+0.032/+0.102	
BF01500-01700-0170-G	15.000 <i>0.591</i>	17.000 <i>0.669</i>	17.000 <i>0.669</i>	23.00 <i>0.906</i>	1.00 <i>0.039</i>		+0.032/+0.102	

# Indicates item not stocked at time of printing - Please enquire for lead time

E&OE Pricing and all details subject to change without notice - Copyright Miniature Bearings Australia Pty Ltd

MBA Size Listings are a guide to sizes only and must not be solely relied on for critical design information.

## Bushes - Plastic - Iglidur G - Flanged

Part Number	Nom. ID (d) mm <i>inches</i>	Nom. OD (D) mm <i>inches</i>	Length (s) mm <i>inches</i>	Flange OD (D1) mm <i>inches</i>	Flange Thickness (s1) mm <i>inches</i>	Inner Diameter after Press Fit mm <i>inches</i>	Tolerance of ID after Pressfit mm <i>inches</i>	Housing Bore (Max. / Min.)
# BF01500-01700-0200-G	15.000 <i>0.591</i>	17.000 <i>0.669</i>	20.000 <i>0.787</i>	23.00 <i>0.906</i>	1.00 <i>0.039</i>		+0.032/+0.102	
# BF01500-01800-0320-G	15.000 <i>0.591</i>	18.000 <i>0.709</i>	32.000 <i>1.260</i>	24.00 <i>0.945</i>	1.00 <i>0.039</i>		+0.032/+0.102	
# BF01588-01826-0095-G	15.875 <i>0.625</i>	18.256 <i>0.719</i>	9.525 <i>0.375</i>	23.80 <i>0.937</i>	1.17 <i>0.046</i>			
# BF01588-01826-0127-G	15.875 <i>0.625</i>	18.256 <i>0.719</i>	12.700 <i>0.500</i>	23.80 <i>0.937</i>	1.17 <i>0.046</i>			
# BF01588-01826-0191-G	15.875 <i>0.625</i>	18.256 <i>0.719</i>	19.050 <i>0.750</i>	23.80 <i>0.937</i>	1.17 <i>0.046</i>			
# BF01588-01826-0222-G	15.875 <i>0.625</i>	18.256 <i>0.719</i>	22.225 <i>0.875</i>	23.80 <i>0.937</i>	1.17 <i>0.046</i>			
# BF01588-01826-0254-G	15.875 <i>0.625</i>	18.256 <i>0.719</i>	25.400 <i>1.000</i>	23.80 <i>0.937</i>	1.17 <i>0.046</i>			
# BF01588-01826-0381-G	15.875 <i>0.625</i>	18.256 <i>0.719</i>	38.100 <i>1.500</i>	23.80 <i>0.937</i>	1.17 <i>0.046</i>			
# BF01600-01800-0090-G	16.000 <i>0.630</i>	18.000 <i>0.709</i>	9.000 <i>0.354</i>	24.00 <i>0.945</i>	1.00 <i>0.039</i>		+0.032/+0.102	
# BF01600-01800-0120-G	16.000 <i>0.630</i>	18.000 <i>0.709</i>	12.000 <i>0.472</i>	24.00 <i>0.945</i>	1.00 <i>0.039</i>	16.102 / 16.032	+ 0.032 / + 0.102	18.018 / 18.000

# Indicates item not stocked at time of printing - Please enquire for lead time

E&OE Pricing and all details subject to change without notice - Copyright Miniature Bearings Australia Pty Ltd

MBA Size Listings are a guide to sizes only and must not be solely relied on for critical design information.

## Bushes - Plastic - Iglidur G - Flanged

Part Number	Nom. ID (d) mm <i>inches</i>	Nom. OD (D) mm <i>inches</i>	Length (s) mm <i>inches</i>	Flange OD (D1) mm <i>inches</i>	Flange Thickness (s1) mm <i>inches</i>	Inner Diameter after Press Fit mm <i>inches</i>	Tolerance of ID after Pressfit mm <i>inches</i>	Housing Bore (Max. / Min.)
BF01600-01800-0170-G	16.000 <i>0.630</i>	18.000 <i>0.709</i>	17.000 <i>0.669</i>	24.00 <i>0.945</i>	1.00 <i>0.039</i>	16.102 / 16.032	+ 0.032 / + 0.102	18.018 / 18.000
BF01600-01800-0210-G	16.000 <i>0.630</i>	18.000 <i>0.709</i>	21.000 <i>0.827</i>	24.00 <i>0.945</i>	1.00 <i>0.039</i>		+0.032/+0.102	
# BF01700-01900-0090-G	17.000 <i>0.669</i>	19.000 <i>0.748</i>	9.000 <i>0.354</i>	25.00 <i>0.984</i>	1.00 <i>0.039</i>		+0.032/+0.102	
BF01700-01900-0250-G	17.000 <i>0.669</i>	19.000 <i>0.748</i>	25.000 <i>0.984</i>	25.00 <i>0.984</i>	1.00 <i>0.039</i>		+0.032/+0.102	
# BF01800-02000-0040-G	18.000 <i>0.709</i>	20.000 <i>0.787</i>	4.000 <i>0.157</i>	26.00 <i>1.024</i>	1.00 <i>0.039</i>		+0.032/+0.102	
# BF01800-02000-0060-G	18.000 <i>0.709</i>	20.000 <i>0.787</i>	6.000 <i>0.236</i>	26.00 <i>1.024</i>	1.00 <i>0.039</i>		+0.032/+0.102	
# BF01800-02000-0110-G	18.000 <i>0.709</i>	20.000 <i>0.787</i>	11.000 <i>0.433</i>	26.00 <i>1.024</i>	1.00 <i>0.039</i>		+0.032/+0.102	
# BF01800-02000-0120-G	18.000 <i>0.709</i>	20.000 <i>0.787</i>	12.000 <i>0.472</i>	26.00 <i>1.024</i>	1.00 <i>0.039</i>		+0.032/+0.102	
# BF01800-02000-0170-G	18.000 <i>0.709</i>	20.000 <i>0.787</i>	17.000 <i>0.669</i>	26.00 <i>1.024</i>	1.00 <i>0.039</i>		+0.032/+0.102	
# BF01800-02000-0220-G	18.000 <i>0.709</i>	20.000 <i>0.787</i>	22.000 <i>0.866</i>	26.00 <i>1.024</i>	1.00 <i>0.039</i>		+0.032/+0.102	

# Indicates item not stocked at time of printing - Please enquire for lead time

E&OE Pricing and all details subject to change without notice - Copyright Miniature Bearings Australia Pty Ltd

MBA Size Listings are a guide to sizes only and must not be solely relied on for critical design information.

## Bushes - Plastic - Iglidur G - Flanged

Part Number	Nom. ID (d) mm	Nom. OD (D) mm	Length (s) mm	Flange OD (D1) mm	Flange Thickness (s1) mm	Inner Diameter after Press Fit mm	Tolerance of ID after Pressfit mm	Housing Bore (Max. / Min.)
	<i>inches</i>	<i>inches</i>	<i>inches</i>	<i>inches</i>	<i>inches</i>	<i>inches</i>	<i>inches</i>	
# BF01800-02000-0300-G	18.000 <i>0.709</i>	20.000 <i>0.787</i>	30.000 <i>1.181</i>	26.00 <i>1.024</i>	1.00 <i>0.039</i>		+0.032/+0.102	
# BF01800-02000-0320-G	18.000 <i>0.709</i>	20.000 <i>0.787</i>	32.000 <i>1.260</i>	26.00 <i>1.024</i>	1.00 <i>0.039</i>		+0.032/+0.102	
# BF01800-02200-0280-G	18.000 <i>0.709</i>	22.000 <i>0.866</i>	28.000 <i>1.102</i>	26.00 <i>1.024</i>	2.00 <i>0.079</i>		+0.032/+0.102	
# BF01905-02223-0032-G	19.050 <i>0.750</i>	22.225 <i>0.875</i>	3.175 <i>0.125</i>	28.58 <i>1.125</i>	1.58 <i>0.062</i>			
# BF01905-02223-0095-G	19.050 <i>0.750</i>	22.225 <i>0.875</i>	9.525 <i>0.375</i>	28.58 <i>1.125</i>	1.58 <i>0.062</i>			
# BF01905-02223-0127-G	19.050 <i>0.750</i>	22.225 <i>0.875</i>	12.700 <i>0.500</i>	28.58 <i>1.125</i>	1.58 <i>0.062</i>			
# BF01905-02223-0159-G	19.050 <i>0.750</i>	22.225 <i>0.875</i>	15.875 <i>0.625</i>	28.58 <i>1.125</i>	1.58 <i>0.062</i>			
# BF01905-02223-0191-G	19.050 <i>0.750</i>	22.225 <i>0.875</i>	19.050 <i>0.750</i>	28.58 <i>1.125</i>	1.58 <i>0.062</i>			
# BF01905-02223-0254-G	19.050 <i>0.750</i>	22.225 <i>0.875</i>	25.400 <i>1.000</i>	28.58 <i>1.125</i>	1.58 <i>0.062</i>			
# BF01905-02223-0381-G	19.050 <i>0.750</i>	22.225 <i>0.875</i>	38.100 <i>1.500</i>	28.58 <i>1.125</i>	1.58 <i>0.062</i>			

# Indicates item not stocked at time of printing - Please enquire for lead time

E&OE Pricing and all details subject to change without notice - Copyright Miniature Bearings Australia Pty Ltd

MBA Size Listings are a guide to sizes only and must not be solely relied on for critical design information.

## Bushes - Plastic - Iglidur G - Flanged

Part Number	Nom. ID (d) mm	Nom. OD (D) mm	Length (s) mm	Flange OD (D1) mm	Flange Thickness (s1) mm	Inner Diameter after Press Fit mm	Tolerance of ID after Pressfit mm	Housing Bore (Max. / Min.)
	<i>inches</i>	<i>inches</i>	<i>inches</i>	<i>inches</i>	<i>inches</i>	<i>inches</i>	<i>inches</i>	
BF02000-02100-0200-G	20.000 <i>0.787</i>	21.000 <i>0.827</i>	20.000 <i>0.787</i>	25.00 <i>0.984</i>	0.50 <i>0.020</i>	20.124 / 20.040	+0.040/+0.124	21.020 / 21.000
# BF02000-02300-0070-G	20.000 <i>0.787</i>	23.000 <i>0.906</i>	7.000 <i>0.276</i>	25.00 <i>0.984</i>	0.50 <i>0.020</i>		+0.020/+0.072	
# BF02000-02300-0115-G	20.000 <i>0.787</i>	23.000 <i>0.906</i>	11.500 <i>0.453</i>	30.00 <i>1.181</i>	1.50 <i>0.059</i>		+0.040/+0.124	
# BF02000-02300-0150-G	20.000 <i>0.787</i>	23.000 <i>0.906</i>	15.000 <i>0.591</i>	28.00 <i>1.102</i>	1.50 <i>0.059</i>		+0.040/+0.124	
# BF02000-02300-0165-G	20.000 <i>0.787</i>	23.000 <i>0.906</i>	16.500 <i>0.650</i>	30.00 <i>1.181</i>	1.50 <i>0.059</i>		+0.040/+0.124	
# BF02000-02300-0210-G	20.000 <i>0.787</i>	23.000 <i>0.906</i>	21.000 <i>0.827</i>	26.00 <i>1.024</i>	1.50 <i>0.059</i>		+0.040/+0.124	
BF02000-02300-0215-G	20.000 <i>0.787</i>	23.000 <i>0.906</i>	21.500 <i>0.846</i>	30.00 <i>1.181</i>	1.50 <i>0.059</i>	20.124 / 20.040	+0.040/+0.124	23.021 / 23.000
# BF02223-02540-0127-G	22.225 <i>0.875</i>	25.400 <i>1.000</i>	12.700 <i>0.500</i>	31.75 <i>1.250</i>	1.58 <i>0.062</i>			
# BF02223-02540-0191-G	22.225 <i>0.875</i>	25.400 <i>1.000</i>	19.050 <i>0.750</i>	31.75 <i>1.250</i>	1.58 <i>0.062</i>			
# BF02223-02540-0254-G	22.225 <i>0.875</i>	25.400 <i>1.000</i>	25.400 <i>1.000</i>	31.75 <i>1.250</i>	1.58 <i>0.062</i>			

# Indicates item not stocked at time of printing - Please enquire for lead time

E&OE Pricing and all details subject to change without notice - Copyright Miniature Bearings Australia Pty Ltd

MBA Size Listings are a guide to sizes only and must not be solely relied on for critical design information.

## Bushes - Plastic - Iglidur G - Flanged

Part Number	Nom. ID (d) mm <i>inches</i>	Nom. OD (D) mm <i>inches</i>	Length (s) mm <i>inches</i>	Flange OD (D1) mm <i>inches</i>	Flange Thickness (s1) mm <i>inches</i>	Inner Diameter after Press Fit mm <i>inches</i>	Tolerance of ID after Pressfit mm <i>inches</i>	Housing Bore (Max. / Min.)
BF02223-02540-0318-G	22.225 <i>0.875</i>	25.400 <i>1.000</i>	31.750 <i>1.250</i>	31.75 <i>1.250</i>	1.58 <i>0.062</i>			
# BF02223-02540-0381-G	22.225 <i>0.875</i>	25.400 <i>1.000</i>	38.100 <i>1.500</i>	31.75 <i>1.250</i>	1.58 <i>0.062</i>			
# BF02400-02700-0070-G	24.000 <i>0.945</i>	27.000 <i>1.063</i>	7.000 <i>0.276</i>	32.00 <i>1.260</i>	1.50 <i>0.059</i>		+0.040/+0.124	
# BF02400-02700-0100-G	24.000 <i>0.945</i>	27.000 <i>1.063</i>	10.000 <i>0.394</i>	32.00 <i>1.260</i>	1.50 <i>0.059</i>		+0.040/+0.124	
# BF02500-02600-0250-G	25.000 <i>0.984</i>	26.000 <i>1.024</i>	25.000 <i>0.984</i>	30.00 <i>1.181</i>	0.50 <i>0.020</i>		+0.020/+0.072	
# BF02500-02700-0480-G	25.000 <i>0.984</i>	27.000 <i>1.063</i>	48.000 <i>1.890</i>	32.00 <i>1.260</i>	1.00 <i>0.039</i>		+0.040/+0.124	
# BF02500-02800-0115-G	25.000 <i>0.984</i>	28.000 <i>1.102</i>	11.500 <i>0.453</i>	32.00 <i>1.260</i>	1.50 <i>0.059</i>		+0.040/+0.124	
# BF02500-02800-0165-G	25.000 <i>0.984</i>	28.000 <i>1.102</i>	16.500 <i>0.650</i>	35.00 <i>1.378</i>	1.50 <i>0.059</i>		+0.040/+0.124	
# BF02500-02800-0215-G	25.000 <i>0.984</i>	28.000 <i>1.102</i>	21.500 <i>0.846</i>	35.00 <i>1.378</i>	1.50 <i>0.059</i>		+0.040/+0.124	
# BF02540-02858-0127-G	25.400 <i>1.000</i>	28.575 <i>1.125</i>	12.700 <i>0.500</i>	34.93 <i>1.375</i>	1.58 <i>0.062</i>			

# Indicates item not stocked at time of printing - Please enquire for lead time

E&OE Pricing and all details subject to change without notice - Copyright Miniature Bearings Australia Pty Ltd

MBA Size Listings are a guide to sizes only and must not be solely relied on for critical design information.

## Bushes - Plastic - Iglidur G - Flanged

Part Number	Nom. ID (d) mm <i>inches</i>	Nom. OD (D) mm <i>inches</i>	Length (s) mm <i>inches</i>	Flange OD (D1) mm <i>inches</i>	Flange Thickness (s1) mm <i>inches</i>	Inner Diameter after Press Fit mm <i>inches</i>	Tolerance of ID after Pressfit mm <i>inches</i>	Housing Bore (Max. / Min.)
# BF02540-02858-0191-G	25.400 <i>1.000</i>	28.575 <i>1.125</i>	19.050 <i>0.750</i>	34.93 <i>1.375</i>	1.58 <i>0.062</i>			
# BF02540-02858-0254-G	25.400 <i>1.000</i>	28.575 <i>1.125</i>	25.400 <i>1.000</i>	34.93 <i>1.375</i>	1.58 <i>0.062</i>			
# BF02540-02858-0318-G	25.400 <i>1.000</i>	28.575 <i>1.125</i>	31.750 <i>1.250</i>	34.93 <i>1.375</i>	1.58 <i>0.062</i>			
# BF02540-02858-0381-G	25.400 <i>1.000</i>	28.575 <i>1.125</i>	38.100 <i>1.500</i>	34.93 <i>1.375</i>	1.58 <i>0.062</i>			
# BF02800-03000-0360-G	28.000 <i>1.102</i>	30.000 <i>1.181</i>	36.000 <i>1.417</i>	35.00 <i>1.378</i>	1.00 <i>0.039</i>		+0.040/+0.124	
# BF02800-03200-0200-G	28.000 <i>1.102</i>	32.000 <i>1.260</i>	20.000 <i>0.787</i>	39.00 <i>1.535</i>	2.00 <i>0.079</i>		+0.040/+0.124	
# BF02858-03254-0191-G	28.575 <i>1.125</i>	32.544 <i>1.281</i>	19.050 <i>0.750</i>	39.68 <i>1.562</i>	1.98 <i>0.078</i>			
# BF02858-03254-0381-G	28.575 <i>1.125</i>	32.544 <i>1.281</i>	38.100 <i>1.500</i>	39.68 <i>1.562</i>	1.98 <i>0.078</i>			
# BF03000-03100-0200-G	30.000 <i>1.181</i>	31.000 <i>1.220</i>	20.000 <i>0.787</i>	36.00 <i>1.417</i>	0.50 <i>0.020</i>		+0.040/+0.124	
# BF03000-03100-0300-G	30.000 <i>1.181</i>	31.000 <i>1.220</i>	30.000 <i>1.181</i>	35.00 <i>1.378</i>	0.50 <i>0.020</i>		+0.040/+0.124	

# Indicates item not stocked at time of printing - Please enquire for lead time

E&OE Pricing and all details subject to change without notice - Copyright Miniature Bearings Australia Pty Ltd

MBA Size Listings are a guide to sizes only and must not be solely relied on for critical design information.

## Bushes - Plastic - Iglidur G - Flanged

Part Number	Nom. ID (d) mm	Nom. OD (D) mm	Length (s) mm	Flange OD (D1) mm	Flange Thickness (s1) mm	Inner Diameter after Press Fit mm	Tolerance of ID after Pressfit mm	Housing Bore (Max. / Min.)
	<i>inches</i>	<i>inches</i>	<i>inches</i>	<i>inches</i>	<i>inches</i>	<i>inches</i>	<i>inches</i>	
# BF03000-03200-0120-G	30.000 <i>1.181</i>	32.000 <i>1.260</i>	12.000 <i>0.472</i>	37.00 <i>1.457</i>	1.00 <i>0.039</i>		+0.040/+0.124	
# BF03000-03200-0175-G	30.000 <i>1.181</i>	32.000 <i>1.260</i>	17.500 <i>0.689</i>	37.00 <i>1.457</i>	1.00 <i>0.039</i>		+0.040/+0.124	
# BF03000-03200-0220-G	30.000 <i>1.181</i>	32.000 <i>1.260</i>	22.000 <i>0.866</i>	37.00 <i>1.457</i>	1.00 <i>0.039</i>		+0.040/+0.124	
# BF03000-03400-0160-G	30.000 <i>1.181</i>	34.000 <i>1.339</i>	16.000 <i>0.630</i>	42.00 <i>1.654</i>	2.00 <i>0.079</i>		+0.040/+0.124	
# BF03000-03400-0200-G	30.000 <i>1.181</i>	34.000 <i>1.339</i>	20.000 <i>0.787</i>	42.00 <i>1.654</i>	2.00 <i>0.079</i>		+0.040/+0.124	
# BF03000-03400-0260-G	30.000 <i>1.181</i>	34.000 <i>1.339</i>	26.000 <i>1.024</i>	42.00 <i>1.654</i>	2.00 <i>0.079</i>		+0.040/+0.124	
BF03000-03400-0370-G	30.000 <i>1.181</i>	34.000 <i>1.339</i>	37.000 <i>1.457</i>	42.00 <i>1.654</i>	2.00 <i>0.079</i>		+0.040/+0.124	
# BF03175-03572-0095-G	31.750 <i>1.250</i>	35.719 <i>1.406</i>	9.525 <i>0.375</i>	42.85 <i>1.687</i>	1.98 <i>0.078</i>			
# BF03175-03572-0191-G	31.750 <i>1.250</i>	35.719 <i>1.406</i>	19.050 <i>0.750</i>	42.85 <i>1.687</i>	1.98 <i>0.078</i>			
# BF03175-03572-0222-G	31.750 <i>1.250</i>	35.719 <i>1.406</i>	22.225 <i>0.875</i>	42.85 <i>1.687</i>	1.98 <i>0.078</i>			

# Indicates item not stocked at time of printing - Please enquire for lead time

E&OE Pricing and all details subject to change without notice - Copyright Miniature Bearings Australia Pty Ltd

MBA Size Listings are a guide to sizes only and must not be solely relied on for critical design information.

## Bushes - Plastic - Iglidur G - Flanged

Part Number	Nom. ID (d) mm	Nom. OD (D) mm	Length (s) mm	Flange OD (D1) mm	Flange Thickness (s1) mm	Inner Diameter after Press Fit mm	Tolerance of ID after Pressfit mm	Housing Bore (Max. / Min.)
	<i>inches</i>	<i>inches</i>	<i>inches</i>	<i>inches</i>	<i>inches</i>	<i>inches</i>	<i>inches</i>	
# BF03175-03572-0254-G	31.750 <i>1.250</i>	35.719 <i>1.406</i>	25.400 <i>1.000</i>	42.85 <i>1.687</i>	1.98 <i>0.078</i>			
# BF03175-03572-0318-G	31.750 <i>1.250</i>	35.719 <i>1.406</i>	31.750 <i>1.250</i>	42.85 <i>1.687</i>	1.98 <i>0.078</i>			
# BF03175-03572-0381-G	31.750 <i>1.250</i>	35.719 <i>1.406</i>	38.100 <i>1.500</i>	42.85 <i>1.687</i>	1.98 <i>0.078</i>			
# BF03200-03600-0160-G	32.000 <i>1.260</i>	36.000 <i>1.417</i>	16.000 <i>0.630</i>	40.00 <i>1.575</i>	2.00 <i>0.079</i>		+0.050/+0.150	
# BF03200-03600-0260-G	32.000 <i>1.260</i>	36.000 <i>1.417</i>	26.000 <i>1.024</i>	40.00 <i>1.575</i>	2.00 <i>0.079</i>		+0.050/+0.150	
# BF03400-03800-0350-G	34.000 <i>1.339</i>	38.000 <i>1.496</i>	35.000 <i>1.378</i>	50.00 <i>1.969</i>	2.00 <i>0.079</i>		+0.050/+0.150	
# BF03493-03889-0254-G	34.925 <i>1.375</i>	38.894 <i>1.531</i>	25.400 <i>1.000</i>	47.63 <i>1.875</i>	1.98 <i>0.078</i>			
# BF03500-03900-0058-G	35.000 <i>1.378</i>	39.000 <i>1.535</i>	5.800 <i>0.228</i>	47.00 <i>1.850</i>	2.00 <i>0.079</i>		+0.050/+0.150	
# BF03500-03900-0160-G	35.000 <i>1.378</i>	39.000 <i>1.535</i>	16.000 <i>0.630</i>	47.00 <i>1.850</i>	2.00 <i>0.079</i>		+0.050/+0.150	
# BF03500-03900-0260-G	35.000 <i>1.378</i>	39.000 <i>1.535</i>	26.000 <i>1.024</i>	47.00 <i>1.850</i>	2.00 <i>0.079</i>		+0.050/+0.150	

# Indicates item not stocked at time of printing - Please enquire for lead time

E&OE Pricing and all details subject to change without notice - Copyright Miniature Bearings Australia Pty Ltd

MBA Size Listings are a guide to sizes only and must not be solely relied on for critical design information.

## Bushes - Plastic - Iglidur G - Flanged

Part Number	Nom. ID (d) mm	Nom. OD (D) mm	Length (s) mm	Flange OD (D1) mm	Flange Thickness (s1) mm	Inner Diameter after Press Fit mm	Tolerance of ID after Pressfit mm	Housing Bore (Max. / Min.)
	<i>inches</i>	<i>inches</i>	<i>inches</i>	<i>inches</i>	<i>inches</i>	<i>inches</i>	<i>inches</i>	
# BF03800-04200-0220-G	38.000 <i>1.496</i>	42.000 <i>1.654</i>	22.000 <i>0.866</i>	54.00 <i>2.126</i>	2.00 <i>0.079</i>		+0.050/+0.150	
# BF03810-04207-0191-G	38.100 <i>1.500</i>	42.069 <i>1.656</i>	19.050 <i>0.750</i>	50.80 <i>2.000</i>	1.98 <i>0.078</i>			
# BF03810-04207-0254-G	38.100 <i>1.500</i>	42.069 <i>1.656</i>	25.400 <i>1.000</i>	50.80 <i>2.000</i>	1.98 <i>0.078</i>			
# BF03810-04207-0381-G	38.100 <i>1.500</i>	42.069 <i>1.656</i>	38.100 <i>1.500</i>	50.80 <i>2.000</i>	1.98 <i>0.078</i>			
# BF04000-04400-0140-G	40.000 <i>1.575</i>	44.000 <i>1.732</i>	14.000 <i>0.551</i>	52.00 <i>2.047</i>	2.00 <i>0.079</i>		+0.050/+0.150	
# BF04000-04400-0300-G	40.000 <i>1.575</i>	44.000 <i>1.732</i>	30.000 <i>1.181</i>	52.00 <i>2.047</i>	2.00 <i>0.079</i>		+0.050/+0.150	
# BF04000-04400-0400-G	40.000 <i>1.575</i>	44.000 <i>1.732</i>	40.000 <i>1.575</i>	52.00 <i>2.047</i>	2.00 <i>0.079</i>		+0.050/+0.150	
# BF04000-04400-0500-G	40.000 <i>1.575</i>	44.000 <i>1.732</i>	50.000 <i>1.969</i>	52.00 <i>2.047</i>	2.00 <i>0.079</i>		+0.050/+0.150	
# BF04200-04600-0190-G	42.000 <i>1.654</i>	46.000 <i>1.811</i>	19.000 <i>0.748</i>	53.00 <i>2.087</i>	2.00 <i>0.079</i>		+0.050/+0.150	
# BF04445-04921-0254-G	44.450 <i>1.750</i>	49.213 <i>1.938</i>	25.400 <i>1.000</i>	60.33 <i>2.375</i>	2.36 <i>0.093</i>			

# Indicates item not stocked at time of printing - Please enquire for lead time

E&OE Pricing and all details subject to change without notice - Copyright Miniature Bearings Australia Pty Ltd

MBA Size Listings are a guide to sizes only and must not be solely relied on for critical design information.

## Bushes - Plastic - Iglidur G - Flanged

Part Number	Nom. ID (d) mm	Nom. OD (D) mm	Length (s) mm	Flange OD (D1) mm	Flange Thickness (s1) mm	Inner Diameter after Press Fit mm	Tolerance of ID after Pressfit mm	Housing Bore (Max. / Min.)
	<i>inches</i>	<i>inches</i>	<i>inches</i>	<i>inches</i>	<i>inches</i>	<i>inches</i>	<i>inches</i>	
# BF04445-04921-0381-G	44.450 <i>1.750</i>	49.213 <i>1.938</i>	38.100 <i>1.500</i>	60.33 <i>2.375</i>	2.36 <i>0.093</i>			
# BF04445-04921-0508-G	44.450 <i>1.750</i>	49.213 <i>1.938</i>	50.800 <i>2.000</i>	60.33 <i>2.375</i>	2.36 <i>0.093</i>			
# BF04500-05000-0300-G	45.000 <i>1.772</i>	50.000 <i>1.969</i>	30.000 <i>1.181</i>	58.00 <i>2.283</i>	2.00 <i>0.079</i>		+0.050/+0.150	
# BF04500-05000-0500-G	45.000 <i>1.772</i>	50.000 <i>1.969</i>	50.000 <i>1.969</i>	58.00 <i>2.283</i>	2.00 <i>0.079</i>		+0.050/+0.150	
# BF05000-05500-0100-G	50.000 <i>1.969</i>	55.000 <i>2.165</i>	10.000 <i>0.394</i>	63.00 <i>2.480</i>	2.00 <i>0.079</i>		+0.050/+0.150	
# BF05000-05500-0400-G	50.000 <i>1.969</i>	55.000 <i>2.165</i>	40.000 <i>1.575</i>	63.00 <i>2.480</i>	2.00 <i>0.079</i>		+0.050/+0.150	
# BF05000-05500-0500-G	50.000 <i>1.969</i>	55.000 <i>2.165</i>	50.000 <i>1.969</i>	63.00 <i>2.480</i>	2.00 <i>0.079</i>		+0.050/+0.150	
# BF05080-05556-0254-G	50.800 <i>2.000</i>	55.563 <i>2.188</i>	25.400 <i>1.000</i>	66.68 <i>2.625</i>	2.36 <i>0.093</i>			
# BF05080-05556-0381-G	50.800 <i>2.000</i>	55.563 <i>2.188</i>	38.100 <i>1.500</i>	66.68 <i>2.625</i>	2.36 <i>0.093</i>			
# BF05080-05556-0508-G	50.800 <i>2.000</i>	55.563 <i>2.188</i>	50.800 <i>2.000</i>	66.68 <i>2.625</i>	2.36 <i>0.093</i>			

# Indicates item not stocked at time of printing - Please enquire for lead time

E&OE Pricing and all details subject to change without notice - Copyright Miniature Bearings Australia Pty Ltd

MBA Size Listings are a guide to sizes only and must not be solely relied on for critical design information.

## Bushes - Plastic - Iglidur G - Flanged

Part Number	Nom. ID (d) mm <i>inches</i>	Nom. OD (D) mm <i>inches</i>	Length (s) mm <i>inches</i>	Flange OD (D1) mm <i>inches</i>	Flange Thickness (s1) mm <i>inches</i>	Inner Diameter after Press Fit mm <i>inches</i>	Tolerance of ID after Pressfit mm <i>inches</i>	Housing Bore (Max. / Min.)
# BF05715-06191-0508-G	57.150 <i>2.250</i>	61.913 <i>2.438</i>	50.800 <i>2.000</i>	69.85 <i>2.750</i>	2.36 <i>0.093</i>			
# BF06000-06500-0300-G	60.000 <i>2.362</i>	65.000 <i>2.559</i>	30.000 <i>1.181</i>	73.00 <i>2.874</i>	2.00 <i>0.079</i>		+0.060/+0.180	
# BF06000-06500-0500-G	60.000 <i>2.362</i>	65.000 <i>2.559</i>	50.000 <i>1.969</i>	73.00 <i>2.874</i>	2.00 <i>0.079</i>		+0.060/+0.180	
# BF06000-06500-0620-G	60.000 <i>2.362</i>	65.000 <i>2.559</i>	62.000 <i>2.441</i>	80.00 <i>3.150</i>	2.00 <i>0.079</i>		+0.060/+0.180	
# BF06350-06826-0508-G	63.500 <i>2.500</i>	68.263 <i>2.688</i>	50.800 <i>2.000</i>	79.38 <i>3.125</i>	2.36 <i>0.093</i>			
# BF06500-07000-0500-G	65.000 <i>2.559</i>	70.000 <i>2.756</i>	50.000 <i>1.969</i>	78.00 <i>3.071</i>	2.00 <i>0.079</i>		+0.060/+0.180	
# BF06985-07461-0508-G	69.850 <i>2.750</i>	74.613 <i>2.938</i>	50.800 <i>2.000</i>	85.73 <i>3.375</i>	2.36 <i>0.093</i>			
# BF07000-07500-0500-G	70.000 <i>2.756</i>	75.000 <i>2.953</i>	50.000 <i>1.969</i>	83.00 <i>3.268</i>	2.00 <i>0.079</i>		+0.060/+0.180	
# BF07500-08000-0500-G	75.000 <i>2.953</i>	80.000 <i>3.150</i>	50.000 <i>1.969</i>	88.00 <i>3.465</i>	2.00 <i>0.079</i>		+0.060/+0.180	
# BF08000-08500-1000-G	80.000 <i>3.150</i>	85.000 <i>3.346</i>	100.000 <i>3.937</i>	93.00 <i>3.661</i>	2.50 <i>0.098</i>		+0.060/+0.180	

# Indicates item not stocked at time of printing - Please enquire for lead time

E&OE Pricing and all details subject to change without notice - Copyright Miniature Bearings Australia Pty Ltd

MBA Size Listings are a guide to sizes only and must not be solely relied on for critical design information.

## Bushes - Plastic - Iglidur G - Flanged

Part Number	Nom. ID (d) mm	Nom. OD (D) mm	Length (s) mm	Flange OD (D1) mm	Flange Thickness (s1) mm	Inner Diameter after Press Fit mm	Tolerance of ID after Pressfit mm	Housing Bore (Max. / Min.)
	<i>inches</i>	<i>inches</i>	<i>inches</i>	<i>inches</i>	<i>inches</i>	<i>inches</i>	<i>inches</i>	
# BF08500-09000-1000-G	85.000 <i>3.346</i>	90.000 <i>3.543</i>	100.000 <i>3.937</i>	98.00 <i>3.858</i>	2.50 <i>0.098</i>		+0.072/+0.212	
# BF09000-09500-1000-G	90.000 <i>3.543</i>	95.000 <i>3.740</i>	100.000 <i>3.937</i>	103.00 <i>4.055</i>	2.50 <i>0.098</i>		+0.072/+0.212	
# BF09500-10000-1000-G	95.000 <i>3.740</i>	100.000 <i>3.937</i>	100.000 <i>3.937</i>	108.00 <i>4.252</i>	2.50 <i>0.098</i>		+0.072/+0.212	
# BF10000-10500-1000-G	100.000 <i>3.937</i>	105.000 <i>4.134</i>	100.000 <i>3.937</i>	113.00 <i>4.449</i>	2.50 <i>0.098</i>		+0.072/+0.212	
# BF11000-11500-1000-G	110.000 <i>4.331</i>	115.000 <i>4.528</i>	100.000 <i>3.937</i>	123.00 <i>4.843</i>	2.50 <i>0.098</i>		+0.072/+0.212	
# BF12000-12500-1000-G	120.000 <i>4.724</i>	125.000 <i>4.921</i>	100.000 <i>3.937</i>	133.00 <i>5.236</i>	2.50 <i>0.098</i>		+0.072/+0.212	
# BF12500-13000-1000-G	125.000 <i>4.921</i>	130.000 <i>5.118</i>	100.000 <i>3.937</i>	138.00 <i>5.433</i>	2.50 <i>0.098</i>		+0.085/+0.245	
# BF13000-13500-1000-G	130.000 <i>5.118</i>	135.000 <i>5.315</i>	100.000 <i>3.937</i>	143.00 <i>5.630</i>	2.50 <i>0.098</i>		+0.085/+0.245	
# BF14000-14500-1000-G	140.000 <i>5.512</i>	145.000 <i>5.709</i>	100.000 <i>3.937</i>	153.00 <i>6.024</i>	2.50 <i>0.098</i>		+0.085/+0.245	
# BF15000-15500-1000-G	150.000 <i>5.906</i>	155.000 <i>6.102</i>	100.000 <i>3.937</i>	163.00 <i>6.417</i>	2.50 <i>0.098</i>		+0.085/+0.245	

# Indicates item not stocked at time of printing - Please enquire for lead time

E&OE Pricing and all details subject to change without notice - Copyright Miniature Bearings Australia Pty Ltd

MBA Size Listings are a guide to sizes only and must not be solely relied on for critical design information.



DISTRIBUTED BY

Ask us to put your name and address here

<http://www.minibearings.com.au/product>

Ph +61 7 3245 7977

Fax +61 7 3245 1017

Catalogue requests to [catalogues@minibearings.com.au](mailto:catalogues@minibearings.com.au)

