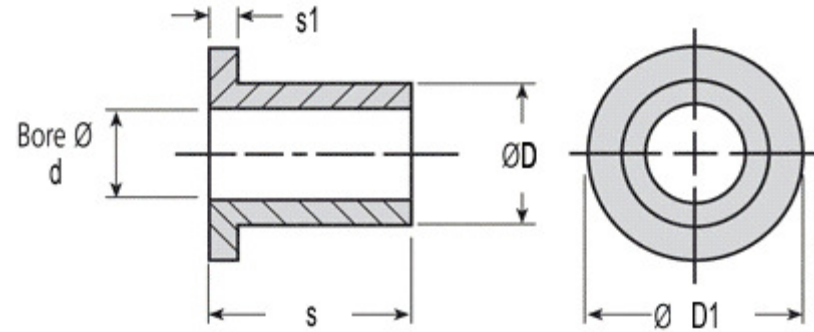




MBA

Bushes - Plastic - Iglidur H - Flanged



Underwater performance. High Temp. Chemical Resistance.

Specific Gravity 1.64 g/cm3.

Operating Temp 240 C short term / 200 C long term.

Tensile Strength at 20 deg C = 175 Mpa.

Hardness 87 Shore D (DIN53505).

Tolerances listed are after H7 Pressfit.

Bushes - Plastic - Iglidur H - Flanged

Part Number	Nom. ID (d) mm	Nom. OD (D) mm	Length (s) mm	Flange OD (D1) mm	Flange Thickness (s1) mm	Tolerance of ID after Pressfit
	<i>inches</i>	<i>inches</i>	<i>inches</i>	<i>inches</i>	<i>inches</i>	
# BF00400-00550-0040-H	4.000 <i>0.157</i>	5.500 <i>0.217</i>	4.000 <i>0.157</i>	9.50 <i>0.374</i>	0.75 <i>0.030</i>	+0.010/+0.058
# BF00500-00700-0050-H	5.000 <i>0.197</i>	7.000 <i>0.276</i>	5.000 <i>0.197</i>	11.00 <i>0.433</i>	1.00 <i>0.039</i>	+0.010/+0.058
# BF00500-00700-0080-H	5.000 <i>0.197</i>	7.000 <i>0.276</i>	8.000 <i>0.315</i>	11.00 <i>0.433</i>	1.00 <i>0.039</i>	+0.010/+0.058

Indicates item not stocked at time of printing - Please enquire for lead time

E&OE Pricing and all details subject to change without notice - Copyright Miniature Bearings Australia Pty Ltd

MBA Size Listings are a guide to sizes only and must not be solely relied on for critical design information.

Bushes - Plastic - Iglidur H - Flanged

Part Number	Nom. ID (d) mm	Nom. OD (D) mm	Length (s) mm	Flange OD (D1) mm	Flange Thickness (s1) mm	Tolerance of ID after Pressfit
	<i>inches</i>	<i>inches</i>	<i>inches</i>	<i>inches</i>	<i>inches</i>	
# BF00600-00800-0060-H	6.000 <i>0.236</i>	8.000 <i>0.315</i>	6.000 <i>0.236</i>	12.00 <i>0.472</i>	1.00 <i>0.039</i>	+0.010/+0.058
# BF00800-01000-0100-H	8.000 <i>0.315</i>	10.000 <i>0.394</i>	10.000 <i>0.394</i>	15.00 <i>0.591</i>	1.00 <i>0.039</i>	+0.013/+0.071
# BF00800-01000-0150-H	8.000 <i>0.315</i>	10.000 <i>0.394</i>	15.000 <i>0.591</i>	15.00 <i>0.591</i>	1.00 <i>0.039</i>	+0.013/+0.071
# BF01000-01200-0090-H	10.000 <i>0.394</i>	12.000 <i>0.472</i>	9.000 <i>0.354</i>	18.00 <i>0.709</i>	1.00 <i>0.039</i>	+0.013/+0.071
# BF01000-01200-0200-H	10.000 <i>0.394</i>	12.000 <i>0.472</i>	20.000 <i>0.787</i>	18.00 <i>0.709</i>	1.00 <i>0.039</i>	+0.013/+0.071
# BF01200-01400-0070-H	12.000 <i>0.472</i>	14.000 <i>0.551</i>	7.000 <i>0.276</i>	20.00 <i>0.787</i>	1.00 <i>0.039</i>	+0.016/+0.086
# BF01200-01400-0100-H	12.000 <i>0.472</i>	14.000 <i>0.551</i>	10.000 <i>0.394</i>	20.00 <i>0.787</i>	1.00 <i>0.039</i>	+0.016/+0.086
# BF01200-01400-0150-H	12.000 <i>0.472</i>	14.000 <i>0.551</i>	15.000 <i>0.591</i>	20.00 <i>0.787</i>	1.00 <i>0.039</i>	+0.016/+0.086
# BF01400-01600-0120-H	14.000 <i>0.551</i>	16.000 <i>0.630</i>	12.000 <i>0.472</i>	22.00 <i>0.866</i>	1.00 <i>0.039</i>	+0.016/+0.086
# BF01500-01700-0170-H	15.000 <i>0.591</i>	17.000 <i>0.669</i>	17.000 <i>0.669</i>	23.00 <i>0.906</i>	1.00 <i>0.039</i>	+0.016/+0.086

Indicates item not stocked at time of printing - Please enquire for lead time

E&OE Pricing and all details subject to change without notice - Copyright Miniature Bearings Australia Pty Ltd

MBA Size Listings are a guide to sizes only and must not be solely relied on for critical design information.

Bushes - Plastic - Iglidur H - Flanged

Part Number	Nom. ID (d) mm	Nom. OD (D) mm	Length (s) mm	Flange OD (D1) mm	Flange Thickness (s1) mm	Tolerance of ID after Pressfit
	<i>inches</i>	<i>inches</i>	<i>inches</i>	<i>inches</i>	<i>inches</i>	
# BF01600-01800-0170-H	16.000 <i>0.630</i>	18.000 <i>0.709</i>	17.000 <i>0.669</i>	24.00 <i>0.945</i>	1.00 <i>0.039</i>	+0.016/+0.086
# BF01800-02000-0170-H	18.000 <i>0.709</i>	20.000 <i>0.787</i>	17.000 <i>0.669</i>	26.00 <i>1.024</i>	1.00 <i>0.039</i>	+0.016/+0.086
# BF02000-02300-0165-H	20.000 <i>0.787</i>	23.000 <i>0.906</i>	16.500 <i>0.650</i>	30.00 <i>1.181</i>	1.50 <i>0.059</i>	+0.020/+0.104
# BF02000-02300-0300-H	20.000 <i>0.787</i>	23.000 <i>0.906</i>	30.000 <i>1.181</i>	30.00 <i>1.181</i>	1.50 <i>0.059</i>	+0.020/+0.104
# BF02500-02800-0300-H	25.000 <i>0.984</i>	28.000 <i>1.102</i>	30.000 <i>1.181</i>	35.00 <i>1.378</i>	1.50 <i>0.059</i>	+0.020/+0.104
# BF02700-03000-0200-H	27.000 <i>1.063</i>	30.000 <i>1.181</i>	20.000 <i>0.787</i>	38.00 <i>1.496</i>	1.50 <i>0.059</i>	+0.020/+0.104
# BF03000-03400-0400-H	30.000 <i>1.181</i>	34.000 <i>1.339</i>	40.000 <i>1.575</i>	42.00 <i>1.654</i>	2.00 <i>0.079</i>	+0.020/+0.104
# BF03400-03800-0130-H	34.000 <i>1.339</i>	38.000 <i>1.496</i>	13.000 <i>0.512</i>	46.00 <i>1.811</i>	2.00 <i>0.079</i>	+0.025/+0.125
# BF03500-03900-0260-H	35.000 <i>1.378</i>	39.000 <i>1.535</i>	26.000 <i>1.024</i>	47.00 <i>1.850</i>	2.00 <i>0.079</i>	+0.025/+0.125
# BF04000-04400-0400-H	40.000 <i>1.575</i>	44.000 <i>1.732</i>	40.000 <i>1.575</i>	52.00 <i>2.047</i>	2.00 <i>0.079</i>	+0.025/+0.125

Indicates item not stocked at time of printing - Please enquire for lead time

E&OE Pricing and all details subject to change without notice - Copyright Miniature Bearings Australia Pty Ltd

MBA Size Listings are a guide to sizes only and must not be solely relied on for critical design information.

Bushes - Plastic - Iglidur H - Flanged

Part Number	Nom. ID (d) mm	Nom. OD (D) mm	Length (s) mm	Flange OD (D1) mm	Flange Thickness (s1) mm	Tolerance of ID after Pressfit
	<i>inches</i>	<i>inches</i>	<i>inches</i>	<i>inches</i>	<i>inches</i>	
# BF05000-05500-0500-H	50.000 <i>1.969</i>	55.000 <i>2.165</i>	50.000 <i>1.969</i>	63.00 <i>2.480</i>	2.00 <i>0.079</i>	+0.025/+0.125
# BF06000-06500-0500-H	60.000 <i>2.362</i>	65.000 <i>2.559</i>	50.000 <i>1.969</i>	73.00 <i>2.874</i>	2.00 <i>0.079</i>	+0.030/+0.150
# BF07000-07500-0500-H	70.000 <i>2.756</i>	75.000 <i>2.953</i>	50.000 <i>1.969</i>	83.00 <i>3.268</i>	2.00 <i>0.079</i>	+0.030/+0.150

Indicates item not stocked at time of printing - Please enquire for lead time

E&OE Pricing and all details subject to change without notice - Copyright Miniature Bearings Australia Pty Ltd

MBA Size Listings are a guide to sizes only and must not be solely relied on for critical design information.



DISTRIBUTED BY

Ask us to put your name and address here

<http://www.minibearings.com.au/product>

Ph +61 7 3245 7977

Fax +61 7 3245 1017

Catalogue requests to catalogues@minibearings.com.au

