



# MBA

## Bushes - Plastic - Iglidur H370 - Flanged

Underwater. High Temp. Chemical Resistant. High mechanical loading and wear resistance.

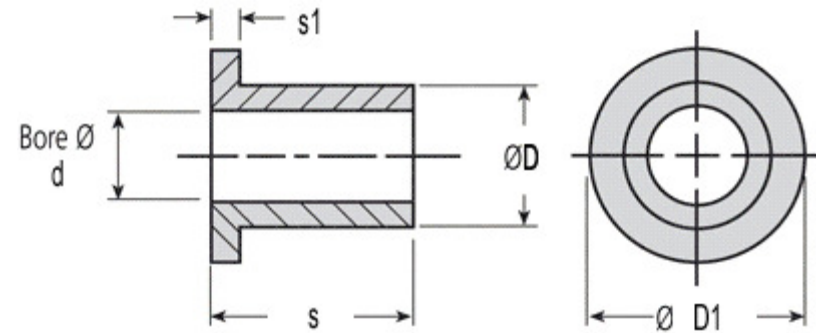
Specific Gravity 1.60 g/cm<sup>3</sup>.

Operating Temp 240 C short term / 200 C long term.

Tensile Strength at 20 deg C = 135 Mpa.

Hardness 82 Shore D (DIN53505).

Tolerances listed are after H7 Pressfit.



### Bushes - Plastic - Iglidur H370 - Flanged

| Part Number             | Nom. ID (d) mm        | Nom. OD (D) mm        | Length (s) mm         | Flange OD (D1) mm    | Flange Thickness (s1) mm | Tolerance of ID after Pressfit |
|-------------------------|-----------------------|-----------------------|-----------------------|----------------------|--------------------------|--------------------------------|
|                         | <i>inches</i>         | <i>inches</i>         | <i>inches</i>         | <i>inches</i>        | <i>inches</i>            |                                |
| BF00318-00476-0048-H3   | 3.175<br><i>0.125</i> | 4.763<br><i>0.188</i> | 4.763<br><i>0.188</i> | 7.93<br><i>0.312</i> | 0.81<br><i>0.032</i>     |                                |
| # BF00400-00550-0040-H3 | 4.000<br><i>0.157</i> | 5.500<br><i>0.217</i> | 4.000<br><i>0.157</i> | 9.50<br><i>0.374</i> | 0.75<br><i>0.030</i>     | +0.010/+0.058                  |
| # BF00476-00635-0064-H3 | 4.763<br><i>0.188</i> | 6.350<br><i>0.250</i> | 6.350<br><i>0.250</i> | 9.53<br><i>0.375</i> | 0.81<br><i>0.032</i>     |                                |

# Indicates item not stocked at time of printing - Please enquire for lead time

E&OE Pricing and all details subject to change without notice - Copyright Miniature Bearings Australia Pty Ltd

MBA Size Listings are a guide to sizes only and must not be solely relied on for critical design information.

## Bushes - Plastic - Iglidur H370 - Flanged

| Part Number             | Nom. ID (d) mm         | Nom. OD (D) mm         | Length (s) mm          | Flange OD (D1) mm     | Flange Thickness (s1) mm | Tolerance of ID after Pressfit |
|-------------------------|------------------------|------------------------|------------------------|-----------------------|--------------------------|--------------------------------|
|                         | <i>inches</i>          | <i>inches</i>          | <i>inches</i>          | <i>inches</i>         | <i>inches</i>            |                                |
| # BF00500-00700-0050-H3 | 5.000<br><i>0.197</i>  | 7.000<br><i>0.276</i>  | 5.000<br><i>0.197</i>  | 11.00<br><i>0.433</i> | 1.00<br><i>0.039</i>     | +0.010/+0.058                  |
| # BF00600-00800-0060-H3 | 6.000<br><i>0.236</i>  | 8.000<br><i>0.315</i>  | 6.000<br><i>0.236</i>  | 12.00<br><i>0.472</i> | 1.00<br><i>0.039</i>     | +0.010/+0.058                  |
| # BF00635-00794-0064-H3 | 6.350<br><i>0.250</i>  | 7.938<br><i>0.313</i>  | 6.350<br><i>0.250</i>  | 12.70<br><i>0.500</i> | 0.81<br><i>0.032</i>     |                                |
| # BF00794-00953-0095-H3 | 7.938<br><i>0.313</i>  | 9.525<br><i>0.375</i>  | 9.525<br><i>0.375</i>  | 14.28<br><i>0.562</i> | 0.81<br><i>0.032</i>     |                                |
| BF00800-01000-0150-H3   | 8.000<br><i>0.315</i>  | 10.000<br><i>0.394</i> | 15.000<br><i>0.591</i> | 15.00<br><i>0.591</i> | 1.00<br><i>0.039</i>     | +0.013/+0.071                  |
| # BF00953-01191-0127-H3 | 9.525<br><i>0.375</i>  | 11.906<br><i>0.469</i> | 12.700<br><i>0.500</i> | 17.45<br><i>0.687</i> | 1.17<br><i>0.046</i>     |                                |
| # BF01000-01200-0100-H3 | 10.000<br><i>0.394</i> | 12.000<br><i>0.472</i> | 10.000<br><i>0.394</i> | 18.00<br><i>0.709</i> | 1.00<br><i>0.039</i>     | +0.013/+0.071                  |
| # BF01000-01200-0200-H3 | 10.000<br><i>0.394</i> | 12.000<br><i>0.472</i> | 20.000<br><i>0.787</i> | 18.00<br><i>0.709</i> | 1.00<br><i>0.039</i>     | +0.013/+0.071                  |
| # BF01200-01400-0150-H3 | 12.000<br><i>0.472</i> | 14.000<br><i>0.551</i> | 15.000<br><i>0.591</i> | 20.00<br><i>0.787</i> | 1.00<br><i>0.039</i>     | +0.016/+0.086                  |
| # BF01270-01508-0127-H3 | 12.700<br><i>0.500</i> | 15.081<br><i>0.594</i> | 12.700<br><i>0.500</i> | 22.23<br><i>0.875</i> | 1.17<br><i>0.046</i>     |                                |

# Indicates item not stocked at time of printing - Please enquire for lead time

E&OE Pricing and all details subject to change without notice - Copyright Miniature Bearings Australia Pty Ltd

MBA Size Listings are a guide to sizes only and must not be solely relied on for critical design information.

## Bushes - Plastic - Iglidur H370 - Flanged

| Part Number             | Nom. ID (d) mm<br><i>inches</i> | Nom. OD (D) mm<br><i>inches</i> | Length (s) mm<br><i>inches</i> | Flange OD (D1) mm<br><i>inches</i> | Flange Thickness (s1) mm<br><i>inches</i> | Tolerance of ID after Pressfit |
|-------------------------|---------------------------------|---------------------------------|--------------------------------|------------------------------------|-------------------------------------------|--------------------------------|
| # BF01400-01600-0120-H3 | 14.000<br><i>0.551</i>          | 16.000<br><i>0.630</i>          | 12.000<br><i>0.472</i>         | 22.00<br><i>0.866</i>              | 1.00<br><i>0.039</i>                      | +0.016/+0.086                  |
| # BF01500-01700-0170-H3 | 15.000<br><i>0.591</i>          | 17.000<br><i>0.669</i>          | 17.000<br><i>0.669</i>         | 23.00<br><i>0.906</i>              | 1.00<br><i>0.039</i>                      | +0.016/+0.086                  |
| # BF01588-01826-0191-H3 | 15.875<br><i>0.625</i>          | 18.256<br><i>0.719</i>          | 19.050<br><i>0.750</i>         | 25.40<br><i>1.000</i>              | 1.17<br><i>0.046</i>                      |                                |
| BF01600-01800-0170-H3   | 16.000<br><i>0.630</i>          | 18.000<br><i>0.709</i>          | 17.000<br><i>0.669</i>         | 24.00<br><i>0.945</i>              | 1.00<br><i>0.039</i>                      | +0.016/+0.086                  |
| # BF01800-02000-0170-H3 | 18.000<br><i>0.709</i>          | 20.000<br><i>0.787</i>          | 17.000<br><i>0.669</i>         | 26.00<br><i>1.024</i>              | 1.00<br><i>0.039</i>                      | +0.016/+0.086                  |
| # BF01905-02223-0191-H3 | 19.050<br><i>0.750</i>          | 22.225<br><i>0.875</i>          | 19.050<br><i>0.750</i>         | 28.58<br><i>1.125</i>              | 1.58<br><i>0.062</i>                      |                                |
| # BF02000-02300-0160-H3 | 20.000<br><i>0.787</i>          | 23.000<br><i>0.906</i>          | 16.000<br><i>0.630</i>         | 30.00<br><i>1.181</i>              | 1.50<br><i>0.059</i>                      | +0.020/+0.104                  |
| # BF02000-02300-0300-H3 | 20.000<br><i>0.787</i>          | 23.000<br><i>0.906</i>          | 30.000<br><i>1.181</i>         | 30.00<br><i>1.181</i>              | 1.50<br><i>0.059</i>                      | +0.020/+0.104                  |
| # BF02223-02540-0254-H3 | 22.225<br><i>0.875</i>          | 25.400<br><i>1.000</i>          | 25.400<br><i>1.000</i>         | 31.75<br><i>1.250</i>              | 1.58<br><i>0.062</i>                      |                                |
| # BF02500-02800-0300-H3 | 25.000<br><i>0.984</i>          | 28.000<br><i>1.102</i>          | 30.000<br><i>1.181</i>         | 35.00<br><i>1.378</i>              | 1.50<br><i>0.059</i>                      | +0.020/+0.104                  |

# Indicates item not stocked at time of printing - Please enquire for lead time

E&OE Pricing and all details subject to change without notice - Copyright Miniature Bearings Australia Pty Ltd

MBA Size Listings are a guide to sizes only and must not be solely relied on for critical design information.

## Bushes - Plastic - Iglidur H370 - Flanged

| Part Number             | Nom. ID (d) mm         | Nom. OD (D) mm         | Length (s) mm          | Flange OD (D1) mm     | Flange Thickness (s1) mm | Tolerance of ID after Pressfit |
|-------------------------|------------------------|------------------------|------------------------|-----------------------|--------------------------|--------------------------------|
|                         | <i>inches</i>          | <i>inches</i>          | <i>inches</i>          | <i>inches</i>         | <i>inches</i>            |                                |
| # BF02540-02858-0254-H3 | 25.400<br><i>1.000</i> | 28.575<br><i>1.125</i> | 25.400<br><i>1.000</i> | 34.93<br><i>1.375</i> | 1.58<br><i>0.062</i>     |                                |
| # BF03000-03400-0400-H3 | 30.000<br><i>1.181</i> | 34.000<br><i>1.339</i> | 40.000<br><i>1.575</i> | 42.00<br><i>1.654</i> | 2.00<br><i>0.079</i>     | +0.020/+0.104                  |
| # BF03175-03572-0318-H3 | 31.750<br><i>1.250</i> | 35.719<br><i>1.406</i> | 31.750<br><i>1.250</i> | 42.85<br><i>1.687</i> | 1.98<br><i>0.078</i>     |                                |
| # BF03500-03900-0260-H3 | 35.000<br><i>1.378</i> | 39.000<br><i>1.535</i> | 26.000<br><i>1.024</i> | 47.00<br><i>1.850</i> | 2.00<br><i>0.079</i>     | +0.025/+0.125                  |
| # BF04000-04400-0400-H3 | 40.000<br><i>1.575</i> | 44.000<br><i>1.732</i> | 40.000<br><i>1.575</i> | 52.00<br><i>2.047</i> | 2.00<br><i>0.079</i>     | +0.025/+0.125                  |
| # BF05000-05500-0500-H3 | 50.000<br><i>1.969</i> | 55.000<br><i>2.165</i> | 50.000<br><i>1.969</i> | 63.00<br><i>2.480</i> | 2.00<br><i>0.079</i>     | +0.025/+0.125                  |
| # BF06000-06500-0500-H3 | 60.000<br><i>2.362</i> | 65.000<br><i>2.559</i> | 50.000<br><i>1.969</i> | 73.00<br><i>2.874</i> | 2.00<br><i>0.079</i>     | +0.030/+0.150                  |
| # BF07000-07500-0500-H3 | 70.000<br><i>2.756</i> | 75.000<br><i>2.953</i> | 50.000<br><i>1.969</i> | 83.00<br><i>3.268</i> | 2.00<br><i>0.079</i>     | +0.030/+0.150                  |

# Indicates item not stocked at time of printing - Please enquire for lead time

E&OE Pricing and all details subject to change without notice - Copyright Miniature Bearings Australia Pty Ltd

MBA Size Listings are a guide to sizes only and must not be solely relied on for critical design information.



DISTRIBUTED BY

Ask us to put your name and address here

<http://www.minibearings.com.au/product>

Ph +61 7 3245 7977

Fax +61 7 3245 1017

Catalogue requests to [catalogues@minibearings.com.au](mailto:catalogues@minibearings.com.au)

|  |  |  |  |  |  |
|--|--|--|--|--|--|
|  |  |  |  |  |  |
|  |  |  |  |  |  |
|  |  |  |  |  |  |