



MBA

Bushes - Plastic - Iglidur J - Flanged

Low Wear - Dry Running - Vibration Dampening - Chemical Resistance.

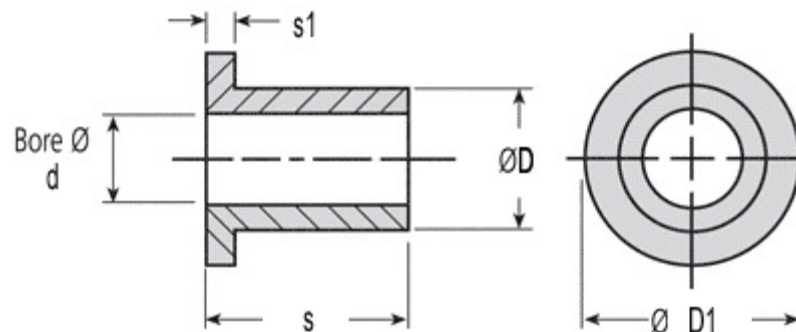
Specific Gravity 1.49 g/cm³.

Operating Temp 120 C short term / 90 C long term.

Tensile Strength at 20 deg C = 73 Mpa.

Hardness 74 Shore D (DIN53505).

Tolerances listed are after H7 Pressfit.



Bushes - Plastic - Iglidur J - Flanged

| Part Number | Nom. ID (d) mm | Nom. OD (D) mm | Length (s) mm | Flange OD (D1) mm | Flange Thickness (s1) mm | Bore Tolerance mm | Inner Diameter after Press Fit mm | Tolerance of ID after Pressfit mm | Housing Bore (Max. / Min.) |
|------------------------|-----------------------|-----------------------|-----------------------|----------------------|--------------------------|-------------------|-----------------------------------|-----------------------------------|----------------------------|
| | <i>inches</i> | <i>inches</i> | <i>inches</i> | <i>inches</i> | <i>inches</i> | <i>inches</i> | <i>inches</i> | <i>inches</i> | |
| # BF00300-00450-0050-J | 3.000 <i>0.118</i> | 4.500 <i>0.177</i> | 5.000 <i>0.197</i> | 7.50 <i>0.295</i> | 0.75 <i>0.030</i> | | | +0.014/+0.054 | |
| # BF00318-00635-0095-J | 3.175 <i>0.125</i> | 6.350 <i>0.250</i> | 9.525 <i>0.375</i> | 9.14 <i>0.360</i> | 1.19 <i>0.047</i> | | | | |
| # BF00400-00550-0030-J | 4.000 <i>0.157</i> | 5.500 <i>0.217</i> | 3.000 <i>0.118</i> | 9.50 <i>0.374</i> | 0.75 <i>0.030</i> | | | +0.020/+0.068 | |

Indicates item not stocked at time of printing - Please enquire for lead time

E&OE Pricing and all details subject to change without notice - Copyright Miniature Bearings Australia Pty Ltd

MBA Size Listings are a guide to sizes only and must not be solely relied on for critical design information.

Bushes - Plastic - Iglidur J - Flanged

| Part Number | Nom. ID (d) mm <i>inches</i> | Nom. OD (D) mm <i>inches</i> | Length (s) mm <i>inches</i> | Flange OD (D1) mm <i>inches</i> | Flange Thickness (s1) mm <i>inches</i> | Bore Tolerance mm <i>inches</i> | Inner Diameter after Press Fit mm <i>inches</i> | Tolerance of ID after Pressfit mm <i>inches</i> | Housing Bore (Max. / Min.) |
|------------------------|---------------------------------|---------------------------------|--------------------------------|------------------------------------|---|------------------------------------|--|--|----------------------------|
| BF00400-00550-0060-J | 4.000 <i>0.157</i> | 5.500 <i>0.217</i> | 6.000 <i>0.236</i> | 9.50 <i>0.374</i> | 0.75 <i>0.030</i> | | | +0.020/+0.068 | |
| # BF00476-00635-0032-J | 4.763 <i>0.188</i> | 6.350 <i>0.250</i> | 3.175 <i>0.125</i> | 9.53 <i>0.375</i> | 0.81 <i>0.032</i> | | | | |
| # BF00476-00635-0064-J | 4.763 <i>0.188</i> | 6.350 <i>0.250</i> | 6.350 <i>0.250</i> | 9.53 <i>0.375</i> | 0.81 <i>0.032</i> | | | | |
| # BF00476-00635-0095-J | 4.763 <i>0.188</i> | 6.350 <i>0.250</i> | 9.525 <i>0.375</i> | 9.53 <i>0.375</i> | 0.81 <i>0.032</i> | | | | |
| # BF00476-00635-0127-J | 4.763 <i>0.188</i> | 6.350 <i>0.250</i> | 12.700 <i>0.500</i> | 9.53 <i>0.375</i> | 0.81 <i>0.032</i> | | | | |
| # BF00476-00794-0095-J | 4.763 <i>0.188</i> | 7.938 <i>0.313</i> | 9.525 <i>0.375</i> | 9.40 <i>0.370</i> | 1.19 <i>0.047</i> | | | | |
| # BF00476-00794-0127-J | 4.763 <i>0.188</i> | 7.938 <i>0.313</i> | 12.700 <i>0.500</i> | 9.40 <i>0.370</i> | 1.19 <i>0.047</i> | | | | |
| # BF00500-00700-0050-J | 5.000 <i>0.197</i> | 7.000 <i>0.276</i> | 5.000 <i>0.197</i> | 11.00 <i>0.433</i> | 1.00 <i>0.039</i> | | | +0.020/+0.068 | |
| # BF00600-00800-0040-J | 6.000 <i>0.236</i> | 8.000 <i>0.315</i> | 4.000 <i>0.157</i> | 12.00 <i>0.472</i> | 1.00 <i>0.039</i> | | | +0.020/+0.068 | |
| # BF00600-00800-0060-J | 6.000 <i>0.236</i> | 8.000 <i>0.315</i> | 6.000 <i>0.236</i> | 12.00 <i>0.472</i> | 1.00 <i>0.039</i> | | | +0.020/+0.068 | |

Indicates item not stocked at time of printing - Please enquire for lead time

E&OE Pricing and all details subject to change without notice - Copyright Miniature Bearings Australia Pty Ltd

MBA Size Listings are a guide to sizes only and must not be solely relied on for critical design information.

Bushes - Plastic - Iglidur J - Flanged

| Part Number | Nom. ID (d) mm <i>inches</i> | Nom. OD (D) mm <i>inches</i> | Length (s) mm <i>inches</i> | Flange OD (D1) mm <i>inches</i> | Flange Thickness (s1) mm <i>inches</i> | Bore Tolerance mm <i>inches</i> | Inner Diameter after Press Fit mm <i>inches</i> | Tolerance of ID after Pressfit mm <i>inches</i> | Housing Bore (Max. / Min.) |
|------------------------|---------------------------------|---------------------------------|--------------------------------|------------------------------------|---|------------------------------------|--|--|----------------------------|
| # BF00600-00800-0080-J | 6.000 <i>0.236</i> | 8.000 <i>0.315</i> | 8.000 <i>0.315</i> | 12.00 <i>0.472</i> | 1.00 <i>0.039</i> | | | +0.020/+0.068 | |
| # BF00600-00800-0100-J | 6.000 <i>0.236</i> | 8.000 <i>0.315</i> | 10.000 <i>0.394</i> | 12.00 <i>0.472</i> | 1.00 <i>0.039</i> | | | +0.020/+0.068 | |
| # BF00600-01000-0100-J | 6.000 <i>0.236</i> | 10.000 <i>0.394</i> | 10.000 <i>0.394</i> | 14.00 <i>0.551</i> | 2.00 <i>0.079</i> | | | +0.020/+0.068 | |
| # BF00635-00794-0064-J | 6.350 <i>0.250</i> | 7.938 <i>0.313</i> | 6.350 <i>0.250</i> | 12.70 <i>0.500</i> | 0.81 <i>0.032</i> | | | | |
| # BF00635-00794-0095-J | 6.350 <i>0.250</i> | 7.938 <i>0.313</i> | 9.525 <i>0.375</i> | 12.70 <i>0.500</i> | 0.81 <i>0.032</i> | | | | |
| # BF00635-00794-0191-J | 6.350 <i>0.250</i> | 7.938 <i>0.313</i> | 19.050 <i>0.750</i> | 12.70 <i>0.500</i> | 0.81 <i>0.032</i> | | | | |
| BF00635-00953-0048-J | 6.350 <i>0.250</i> | 9.525 <i>0.375</i> | 4.763 <i>0.188</i> | 14.22 <i>0.560</i> | 1.19 <i>0.047</i> | | | | |
| # BF00635-00953-0064-J | 6.350 <i>0.250</i> | 9.525 <i>0.375</i> | 6.350 <i>0.250</i> | 14.22 <i>0.560</i> | 1.19 <i>0.047</i> | | | | |
| # BF00635-00953-0127-J | 6.350 <i>0.250</i> | 9.525 <i>0.375</i> | 12.700 <i>0.500</i> | 14.22 <i>0.560</i> | 1.19 <i>0.047</i> | | | | |
| # BF00794-00953-0064-J | 7.938 <i>0.313</i> | 9.525 <i>0.375</i> | 6.350 <i>0.250</i> | 14.28 <i>0.562</i> | 0.81 <i>0.032</i> | | | | |

Indicates item not stocked at time of printing - Please enquire for lead time

E&OE Pricing and all details subject to change without notice - Copyright Miniature Bearings Australia Pty Ltd

MBA Size Listings are a guide to sizes only and must not be solely relied on for critical design information.

Bushes - Plastic - Iglidur J - Flanged

| Part Number | Nom. ID (d) mm <i>inches</i> | Nom. OD (D) mm <i>inches</i> | Length (s) mm <i>inches</i> | Flange OD (D1) mm <i>inches</i> | Flange Thickness (s1) mm <i>inches</i> | Bore Tolerance mm <i>inches</i> | Inner Diameter after Press Fit mm <i>inches</i> | Tolerance of ID after Pressfit mm <i>inches</i> | Housing Bore (Max. / Min.) |
|------------------------|---------------------------------|---------------------------------|--------------------------------|------------------------------------|---|------------------------------------|--|--|----------------------------|
| # BF00794-00953-0095-J | 7.938 <i>0.313</i> | 9.525 <i>0.375</i> | 9.525 <i>0.375</i> | 14.28 <i>0.562</i> | 0.81 <i>0.032</i> | | | | |
| # BF00794-00953-0127-J | 7.938 <i>0.313</i> | 9.525 <i>0.375</i> | 12.700 <i>0.500</i> | 14.28 <i>0.562</i> | 0.81 <i>0.032</i> | | | | |
| # BF00794-01111-0127-J | 7.938 <i>0.313</i> | 11.113 <i>0.438</i> | 12.700 <i>0.500</i> | 14.22 <i>0.560</i> | 1.58 <i>0.062</i> | | | | |
| # BF00800-01000-0050-J | 8.000 <i>0.315</i> | 10.000 <i>0.394</i> | 5.000 <i>0.197</i> | 15.00 <i>0.591</i> | 1.00 <i>0.039</i> | | | | +0.030/+0.105 |
| # BF00800-01000-0060-J | 8.000 <i>0.315</i> | 10.000 <i>0.394</i> | 6.000 <i>0.236</i> | 15.00 <i>0.591</i> | 1.00 <i>0.039</i> | | | | +0.025/+0.083 |
| # BF00800-01000-0070-J | 8.000 <i>0.315</i> | 10.000 <i>0.394</i> | 7.000 <i>0.276</i> | 15.00 <i>0.591</i> | 1.00 <i>0.039</i> | | | | +0.025/+0.083 |
| # BF00800-01000-0080-J | 8.000 <i>0.315</i> | 10.000 <i>0.394</i> | 8.000 <i>0.315</i> | 15.00 <i>0.591</i> | 1.00 <i>0.039</i> | | | | +0.025/+0.083 |
| # BF00800-01000-0100-J | 8.000 <i>0.315</i> | 10.000 <i>0.394</i> | 10.000 <i>0.394</i> | 15.00 <i>0.591</i> | 1.00 <i>0.039</i> | | | | +0.025/+0.083 |
| # BF00800-01200-0060-J | 8.000 <i>0.315</i> | 12.000 <i>0.472</i> | 6.000 <i>0.236</i> | 16.00 <i>0.630</i> | 2.00 <i>0.079</i> | | | | +0.025/+0.083 |
| BF00953-01111-0095-J | 9.525 <i>0.375</i> | 11.113 <i>0.438</i> | 9.525 <i>0.375</i> | 17.45 <i>0.687</i> | 1.17 <i>0.046</i> | | | | |

Indicates item not stocked at time of printing - Please enquire for lead time

E&OE Pricing and all details subject to change without notice - Copyright Miniature Bearings Australia Pty Ltd

MBA Size Listings are a guide to sizes only and must not be solely relied on for critical design information.

Bushes - Plastic - Iglidur J - Flanged

| Part Number | Nom. ID (d) mm <i>inches</i> | Nom. OD (D) mm <i>inches</i> | Length (s) mm <i>inches</i> | Flange OD (D1) mm <i>inches</i> | Flange Thickness (s1) mm <i>inches</i> | Bore Tolerance mm <i>inches</i> | Inner Diameter after Press Fit mm <i>inches</i> | Tolerance of ID after Pressfit mm <i>inches</i> | Housing Bore (Max. / Min.) |
|------------------------|---------------------------------|---------------------------------|--------------------------------|------------------------------------|---|------------------------------------|--|--|----------------------------|
| # BF00953-01270-0048-J | 9.525 <i>0.375</i> | 12.700 <i>0.500</i> | 4.763 <i>0.188</i> | 15.88 <i>0.625</i> | 1.58 <i>0.062</i> | | | | |
| # BF00953-01270-0095-J | 9.525 <i>0.375</i> | 12.700 <i>0.500</i> | 9.525 <i>0.375</i> | 15.88 <i>0.625</i> | 1.58 <i>0.062</i> | | | | |
| # BF00953-01270-0127-J | 9.525 <i>0.375</i> | 12.700 <i>0.500</i> | 12.700 <i>0.500</i> | 15.88 <i>0.625</i> | 1.58 <i>0.062</i> | | | | |
| # BF01000-01200-0035-J | 10.000 <i>0.394</i> | 12.000 <i>0.472</i> | 3.500 <i>0.138</i> | 15.00 <i>0.591</i> | 1.00 <i>0.039</i> | | | | +0.025/+0.083 |
| # BF01000-01200-0050-J | 10.000 <i>0.394</i> | 12.000 <i>0.472</i> | 5.000 <i>0.197</i> | 18.00 <i>0.709</i> | 1.00 <i>0.039</i> | | | | +0.025/+0.083 |
| # BF01000-01200-0090-J | 10.000 <i>0.394</i> | 12.000 <i>0.472</i> | 9.000 <i>0.354</i> | 18.00 <i>0.709</i> | 1.00 <i>0.039</i> | | | | +0.025/+0.083 |
| # BF01000-01200-0120-J | 10.000 <i>0.394</i> | 12.000 <i>0.472</i> | 12.000 <i>0.472</i> | 18.00 <i>0.709</i> | 1.00 <i>0.039</i> | | | | +0.025/+0.083 |
| # BF01000-01200-0150-J | 10.000 <i>0.394</i> | 12.000 <i>0.472</i> | 15.000 <i>0.591</i> | 18.00 <i>0.709</i> | 1.00 <i>0.039</i> | | | | +0.025/+0.083 |
| # BF01000-01200-0180-J | 10.000 <i>0.394</i> | 12.000 <i>0.472</i> | 18.000 <i>0.709</i> | 18.00 <i>0.709</i> | 1.00 <i>0.039</i> | | | | +0.025/+0.083 |
| BF01200-01400-0050-J | 12.000 <i>0.472</i> | 14.000 <i>0.551</i> | 5.000 <i>0.197</i> | 20.00 <i>0.787</i> | 1.00 <i>0.039</i> | | | | +0.032/+0.102 |

Indicates item not stocked at time of printing - Please enquire for lead time

E&OE Pricing and all details subject to change without notice - Copyright Miniature Bearings Australia Pty Ltd

MBA Size Listings are a guide to sizes only and must not be solely relied on for critical design information.

Bushes - Plastic - Iglidur J - Flanged

| Part Number | Nom. ID (d) mm <i>inches</i> | Nom. OD (D) mm <i>inches</i> | Length (s) mm <i>inches</i> | Flange OD (D1) mm <i>inches</i> | Flange Thickness (s1) mm <i>inches</i> | Bore Tolerance mm <i>inches</i> | Inner Diameter after Press Fit mm <i>inches</i> | Tolerance of ID after Pressfit mm <i>inches</i> | Housing Bore (Max. / Min.) |
|------------------------|---------------------------------|---------------------------------|--------------------------------|------------------------------------|---|------------------------------------|--|--|----------------------------|
| # BF01200-01400-0090-J | 12.000 <i>0.472</i> | 14.000 <i>0.551</i> | 9.000 <i>0.354</i> | 20.00 <i>0.787</i> | 1.00 <i>0.039</i> | | | +0.032/+0.102 | |
| # BF01200-01400-0100-J | 12.000 <i>0.472</i> | 14.000 <i>0.551</i> | 10.000 <i>0.394</i> | 18.00 <i>0.709</i> | 1.00 <i>0.039</i> | | | +0.032/+0.102 | |
| # BF01200-01400-0120-J | 12.000 <i>0.472</i> | 14.000 <i>0.551</i> | 12.000 <i>0.472</i> | 20.00 <i>0.787</i> | 1.00 <i>0.039</i> | | | +0.032/+0.102 | |
| # BF01200-01400-0150-J | 12.000 <i>0.472</i> | 14.000 <i>0.551</i> | 15.000 <i>0.591</i> | 20.00 <i>0.787</i> | 1.00 <i>0.039</i> | | | +0.032/+0.102 | |
| # BF01200-01800-0080-J | 12.000 <i>0.472</i> | 18.000 <i>0.709</i> | 8.000 <i>0.315</i> | 24.00 <i>0.945</i> | 3.00 <i>0.118</i> | | | +0.050/+0.160 | |
| # BF01200-01800-0120-J | 12.000 <i>0.472</i> | 18.000 <i>0.709</i> | 12.000 <i>0.472</i> | 24.00 <i>0.945</i> | 3.00 <i>0.118</i> | | | +0.050/+0.160 | |
| # BF01200-01800-0200-J | 12.000 <i>0.472</i> | 18.000 <i>0.709</i> | 20.000 <i>0.787</i> | 22.00 <i>0.866</i> | 3.00 <i>0.118</i> | | | +0.050/+0.160 | |
| # BF01270-01508-0064-J | 12.700 <i>0.500</i> | 15.081 <i>0.594</i> | 6.350 <i>0.250</i> | 22.23 <i>0.875</i> | 1.17 <i>0.046</i> | | | | |
| # BF01270-01508-0095-J | 12.700 <i>0.500</i> | 15.081 <i>0.594</i> | 9.525 <i>0.375</i> | 22.23 <i>0.875</i> | 1.17 <i>0.046</i> | | | | |
| # BF01270-01508-0127-J | 12.700 <i>0.500</i> | 15.081 <i>0.594</i> | 12.700 <i>0.500</i> | 22.23 <i>0.875</i> | 1.17 <i>0.046</i> | | | | |

Indicates item not stocked at time of printing - Please enquire for lead time

E&OE Pricing and all details subject to change without notice - Copyright Miniature Bearings Australia Pty Ltd

MBA Size Listings are a guide to sizes only and must not be solely relied on for critical design information.

Bushes - Plastic - Iglidur J - Flanged

| Part Number | Nom. ID (d) mm <i>inches</i> | Nom. OD (D) mm <i>inches</i> | Length (s) mm <i>inches</i> | Flange OD (D1) mm <i>inches</i> | Flange Thickness (s1) mm <i>inches</i> | Bore Tolerance mm <i>inches</i> | Inner Diameter after Press Fit mm <i>inches</i> | Tolerance of ID after Pressfit mm <i>inches</i> | Housing Bore (Max. / Min.) |
|------------------------|---------------------------------|---------------------------------|--------------------------------|------------------------------------|---|------------------------------------|--|--|----------------------------|
| # BF01270-01588-0064-J | 12.700 <i>0.500</i> | 15.875 <i>0.625</i> | 6.350 <i>0.250</i> | 22.23 <i>0.875</i> | 1.58 <i>0.062</i> | | | | |
| # BF01270-01588-0127-J | 12.700 <i>0.500</i> | 15.875 <i>0.625</i> | 12.700 <i>0.500</i> | 22.23 <i>0.875</i> | 1.58 <i>0.062</i> | | | | |
| # BF01270-01588-0159-J | 12.700 <i>0.500</i> | 15.875 <i>0.625</i> | 15.875 <i>0.625</i> | 22.23 <i>0.875</i> | 1.58 <i>0.062</i> | | | | |
| BF01270-01588-0191-J | 12.700 <i>0.500</i> | 15.875 <i>0.625</i> | 19.050 <i>0.750</i> | 22.23 <i>0.875</i> | 1.58 <i>0.062</i> | | | | |
| # BF01400-01600-0030-J | 14.000 <i>0.551</i> | 16.000 <i>0.630</i> | 3.000 <i>0.118</i> | 22.00 <i>0.866</i> | 1.00 <i>0.039</i> | | | | +0.032/+0.102 |
| # BF01400-01600-0120-J | 14.000 <i>0.551</i> | 16.000 <i>0.630</i> | 12.000 <i>0.472</i> | 22.00 <i>0.866</i> | 1.00 <i>0.039</i> | | | | +0.032/+0.102 |
| # BF01400-01600-0170-J | 14.000 <i>0.551</i> | 16.000 <i>0.630</i> | 17.000 <i>0.669</i> | 22.00 <i>0.866</i> | 1.00 <i>0.039</i> | | | | +0.032/+0.102 |
| # BF01400-01800-0200-J | 14.000 <i>0.551</i> | 18.000 <i>0.709</i> | 20.000 <i>0.787</i> | 22.00 <i>0.866</i> | 2.00 <i>0.079</i> | | | | +0.032/+0.102 |
| # BF01500-01700-0090-J | 15.000 <i>0.591</i> | 17.000 <i>0.669</i> | 9.000 <i>0.354</i> | 23.00 <i>0.906</i> | 1.00 <i>0.039</i> | | | | +0.032/+0.102 |
| # BF01500-01700-0120-J | 15.000 <i>0.591</i> | 17.000 <i>0.669</i> | 12.000 <i>0.472</i> | 23.00 <i>0.906</i> | 1.00 <i>0.039</i> | | | | +0.032/+0.102 |

Indicates item not stocked at time of printing - Please enquire for lead time

E&OE Pricing and all details subject to change without notice - Copyright Miniature Bearings Australia Pty Ltd

MBA Size Listings are a guide to sizes only and must not be solely relied on for critical design information.

Bushes - Plastic - Iglidur J - Flanged

| Part Number | Nom. ID (d) mm <i>inches</i> | Nom. OD (D) mm <i>inches</i> | Length (s) mm <i>inches</i> | Flange OD (D1) mm <i>inches</i> | Flange Thickness (s1) mm <i>inches</i> | Bore Tolerance mm <i>inches</i> | Inner Diameter after Press Fit mm <i>inches</i> | Tolerance of ID after Pressfit mm <i>inches</i> | Housing Bore (Max. / Min.) |
|------------------------|---------------------------------|---------------------------------|--------------------------------|------------------------------------|---|------------------------------------|--|--|----------------------------|
| # BF01500-01700-0170-J | 15.000 <i>0.591</i> | 17.000 <i>0.669</i> | 17.000 <i>0.669</i> | 23.00 <i>0.906</i> | 1.00 <i>0.039</i> | | | +0.032/+0.102 | |
| # BF01500-02100-0200-J | 15.000 <i>0.591</i> | 21.000 <i>0.827</i> | 20.000 <i>0.787</i> | 27.00 <i>1.063</i> | 3.00 <i>0.118</i> | | | +0.050/+0.160 | |
| # BF01588-01826-0127-J | 15.875 <i>0.625</i> | 18.256 <i>0.719</i> | 12.700 <i>0.500</i> | 23.80 <i>0.937</i> | 1.17 <i>0.046</i> | | | | |
| # BF01588-01826-0191-J | 15.875 <i>0.625</i> | 18.256 <i>0.719</i> | 19.050 <i>0.750</i> | 25.40 <i>1.000</i> | 1.17 <i>0.046</i> | | | | |
| # BF01588-01905-0127-J | 15.875 <i>0.625</i> | 19.050 <i>0.750</i> | 12.700 <i>0.500</i> | 25.40 <i>1.000</i> | 1.58 <i>0.062</i> | | | | |
| # BF01588-01905-0191-J | 15.875 <i>0.625</i> | 19.050 <i>0.750</i> | 19.050 <i>0.750</i> | 25.40 <i>1.000</i> | 1.58 <i>0.062</i> | | | | |
| # BF01588-01905-0254-J | 15.875 <i>0.625</i> | 19.050 <i>0.750</i> | 25.400 <i>1.000</i> | 25.40 <i>1.000</i> | 1.58 <i>0.062</i> | | | | |
| # BF01600-01800-0170-J | 16.000 <i>0.630</i> | 18.000 <i>0.709</i> | 17.000 <i>0.669</i> | 24.00 <i>0.945</i> | 1.00 <i>0.039</i> | | | +0.032/+0.102 | |
| # BF01600-02200-0120-J | 16.000 <i>0.630</i> | 22.000 <i>0.866</i> | 12.000 <i>0.472</i> | 28.00 <i>1.102</i> | 3.00 <i>0.118</i> | | | +0.050/+0.160 | |
| # BF01600-02200-0150-J | 16.000 <i>0.630</i> | 22.000 <i>0.866</i> | 15.000 <i>0.591</i> | 28.00 <i>1.102</i> | 3.00 <i>0.118</i> | | | +0.050/+0.160 | |

Indicates item not stocked at time of printing - Please enquire for lead time

E&OE Pricing and all details subject to change without notice - Copyright Miniature Bearings Australia Pty Ltd

MBA Size Listings are a guide to sizes only and must not be solely relied on for critical design information.

Bushes - Plastic - Iglidur J - Flanged

| Part Number | Nom. ID (d) mm <i>inches</i> | Nom. OD (D) mm <i>inches</i> | Length (s) mm <i>inches</i> | Flange OD (D1) mm <i>inches</i> | Flange Thickness (s1) mm <i>inches</i> | Bore Tolerance mm <i>inches</i> | Inner Diameter after Press Fit mm <i>inches</i> | Tolerance of ID after Pressfit mm <i>inches</i> | Housing Bore (Max. / Min.) |
|------------------------|---------------------------------|---------------------------------|--------------------------------|------------------------------------|---|------------------------------------|--|--|----------------------------|
| # BF01700-01900-0210-J | 17.000 <i>0.669</i> | 19.000 <i>0.748</i> | 21.000 <i>0.827</i> | 25.00 <i>0.984</i> | 1.00 <i>0.039</i> | | | +0.032/+0.102 | |
| # BF01800-02000-0120-J | 18.000 <i>0.709</i> | 20.000 <i>0.787</i> | 12.000 <i>0.472</i> | 26.00 <i>1.024</i> | 1.00 <i>0.039</i> | | | +0.032/+0.102 | |
| # BF01800-02000-0220-J | 18.000 <i>0.709</i> | 20.000 <i>0.787</i> | 22.000 <i>0.866</i> | 26.00 <i>1.024</i> | 1.00 <i>0.039</i> | | | +0.032/+0.102 | |
| # BF01905-02223-0127-J | 19.050 <i>0.750</i> | 22.225 <i>0.875</i> | 12.700 <i>0.500</i> | 28.58 <i>1.125</i> | 1.58 <i>0.062</i> | | | | |
| # BF01905-02223-0159-J | 19.050 <i>0.750</i> | 22.225 <i>0.875</i> | 15.875 <i>0.625</i> | 28.58 <i>1.125</i> | 1.58 <i>0.062</i> | | | | |
| # BF01905-02223-0191-J | 19.050 <i>0.750</i> | 22.225 <i>0.875</i> | 19.050 <i>0.750</i> | 28.58 <i>1.125</i> | 1.58 <i>0.062</i> | | | | |
| # BF01905-02223-0254-J | 19.050 <i>0.750</i> | 22.225 <i>0.875</i> | 25.400 <i>1.000</i> | 28.58 <i>1.125</i> | 1.58 <i>0.062</i> | | | | |
| # BF01905-02540-0191-J | 19.050 <i>0.750</i> | 25.400 <i>1.000</i> | 19.050 <i>0.750</i> | 31.75 <i>1.250</i> | 3.96 <i>0.156</i> | | | | |
| # BF01905-02540-0254-J | 19.050 <i>0.750</i> | 25.400 <i>1.000</i> | 25.400 <i>1.000</i> | 31.75 <i>1.250</i> | 3.96 <i>0.156</i> | | | | |
| # BF02000-02300-0115-J | 20.000 <i>0.787</i> | 23.000 <i>0.906</i> | 11.500 <i>0.453</i> | 30.00 <i>1.181</i> | 1.50 <i>0.059</i> | | | +0.040/+0.124 | |

Indicates item not stocked at time of printing - Please enquire for lead time

E&OE Pricing and all details subject to change without notice - Copyright Miniature Bearings Australia Pty Ltd

MBA Size Listings are a guide to sizes only and must not be solely relied on for critical design information.

Bushes - Plastic - Iglidur J - Flanged

| Part Number | Nom. ID (d) mm <i>inches</i> | Nom. OD (D) mm <i>inches</i> | Length (s) mm <i>inches</i> | Flange OD (D1) mm <i>inches</i> | Flange Thickness (s1) mm <i>inches</i> | Bore Tolerance mm <i>inches</i> | Inner Diameter after Press Fit mm <i>inches</i> | Tolerance of ID after Pressfit mm <i>inches</i> | Housing Bore (Max. / Min.) |
|------------------------|---------------------------------|---------------------------------|--------------------------------|------------------------------------|---|------------------------------------|--|--|----------------------------|
| BF02000-02300-0215-J | 20.000 <i>0.787</i> | 23.000 <i>0.906</i> | 21.500 <i>0.846</i> | 30.00 <i>1.181</i> | 1.50 <i>0.059</i> | | | +0.040/+0.124 | |
| # BF02000-02600-0150-J | 20.000 <i>0.787</i> | 26.000 <i>1.024</i> | 15.000 <i>0.591</i> | 32.00 <i>1.260</i> | 3.00 <i>0.118</i> | | | +0.065/+0.195 | |
| # BF02000-02600-0200-J | 20.000 <i>0.787</i> | 26.000 <i>1.024</i> | 20.000 <i>0.787</i> | 32.00 <i>1.260</i> | 3.00 <i>0.118</i> | | | +0.065/+0.195 | |
| # BF02000-02600-0250-J | 20.000 <i>0.787</i> | 26.000 <i>1.024</i> | 25.000 <i>0.984</i> | 32.00 <i>1.260</i> | 3.00 <i>0.118</i> | | | +0.065/+0.195 | |
| # BF02200-02500-0080-J | 22.000 <i>0.866</i> | 25.000 <i>0.984</i> | 8.000 <i>0.315</i> | 32.00 <i>1.260</i> | 1.50 <i>0.059</i> | | | +0.040/+0.124 | |
| # BF02223-02540-0175-J | 22.225 <i>0.875</i> | 25.400 <i>1.000</i> | 17.463 <i>0.688</i> | 28.58 <i>1.125</i> | 1.58 <i>0.062</i> | | | | |
| # BF02223-02540-0191-J | 22.225 <i>0.875</i> | 25.400 <i>1.000</i> | 19.050 <i>0.750</i> | 31.75 <i>1.250</i> | 1.58 <i>0.062</i> | | | | |
| BF02400-03000-0300-J | 24.000 <i>0.945</i> | 30.000 <i>1.181</i> | 30.000 <i>1.181</i> | 36.00 <i>1.417</i> | 3.00 <i>0.118</i> | | | +0.040/+0.124 | |
| # BF02500-02800-0210-J | 25.000 <i>0.984</i> | 28.000 <i>1.102</i> | 21.000 <i>0.827</i> | 35.00 <i>1.378</i> | 1.50 <i>0.059</i> | | | +0.040/+0.124 | |
| # BF02500-03200-0200-J | 25.000 <i>0.984</i> | 32.000 <i>1.260</i> | 20.000 <i>0.787</i> | 38.00 <i>1.496</i> | 4.00 <i>0.157</i> | | | +0.065/+0.195 | |

Indicates item not stocked at time of printing - Please enquire for lead time

E&OE Pricing and all details subject to change without notice - Copyright Miniature Bearings Australia Pty Ltd

MBA Size Listings are a guide to sizes only and must not be solely relied on for critical design information.

Bushes - Plastic - Iglidur J - Flanged

| Part Number | Nom. ID (d) mm <i>inches</i> | Nom. OD (D) mm <i>inches</i> | Length (s) mm <i>inches</i> | Flange OD (D1) mm <i>inches</i> | Flange Thickness (s1) mm <i>inches</i> | Bore Tolerance mm <i>inches</i> | Inner Diameter after Press Fit mm <i>inches</i> | Tolerance of ID after Pressfit mm <i>inches</i> | Housing Bore (Max. / Min.) |
|------------------------|---------------------------------|---------------------------------|--------------------------------|------------------------------------|---|------------------------------------|--|--|----------------------------|
| # BF02500-03200-0250-J | 25.000 <i>0.984</i> | 32.000 <i>1.260</i> | 25.000 <i>0.984</i> | 38.00 <i>1.496</i> | 4.00 <i>0.157</i> | | | +0.065/+0.195 | |
| # BF02540-02858-0191-J | 25.400 <i>1.000</i> | 28.575 <i>1.125</i> | 19.050 <i>0.750</i> | 34.93 <i>1.375</i> | 1.58 <i>0.062</i> | | | | |
| # BF02540-02858-0254-J | 25.400 <i>1.000</i> | 28.575 <i>1.125</i> | 25.400 <i>1.000</i> | 34.93 <i>1.375</i> | 1.58 <i>0.062</i> | | | | |
| # BF02540-03175-0191-J | 25.400 <i>1.000</i> | 31.750 <i>1.250</i> | 19.050 <i>0.750</i> | 38.10 <i>1.500</i> | 4.78 <i>0.188</i> | | | | |
| # BF02540-03175-0254-J | 25.400 <i>1.000</i> | 31.750 <i>1.250</i> | 25.400 <i>1.000</i> | 38.10 <i>1.500</i> | 4.78 <i>0.188</i> | | | | |
| # BF02540-03175-0381-J | 25.400 <i>1.000</i> | 31.750 <i>1.250</i> | 38.100 <i>1.500</i> | 38.10 <i>1.500</i> | 4.78 <i>0.188</i> | | | | |
| # BF03000-03400-0200-J | 30.000 <i>1.181</i> | 34.000 <i>1.339</i> | 20.000 <i>0.787</i> | 42.00 <i>1.654</i> | 2.00 <i>0.079</i> | | | +0.040/+0.124 | |
| # BF03000-03400-0260-J | 30.000 <i>1.181</i> | 34.000 <i>1.339</i> | 26.000 <i>1.024</i> | 42.00 <i>1.654</i> | 2.00 <i>0.079</i> | | | +0.040/+0.124 | |
| # BF03175-03810-0254-J | 31.750 <i>1.250</i> | 38.100 <i>1.500</i> | 25.400 <i>1.000</i> | 44.45 <i>1.750</i> | 5.08 <i>0.200</i> | | | | |
| # BF03175-03810-0381-J | 31.750 <i>1.250</i> | 38.100 <i>1.500</i> | 38.100 <i>1.500</i> | 44.45 <i>1.750</i> | 5.08 <i>0.200</i> | | | | |

Indicates item not stocked at time of printing - Please enquire for lead time

E&OE Pricing and all details subject to change without notice - Copyright Miniature Bearings Australia Pty Ltd

MBA Size Listings are a guide to sizes only and must not be solely relied on for critical design information.

Bushes - Plastic - Iglidur J - Flanged

| Part Number | Nom. ID (d) mm <i>inches</i> | Nom. OD (D) mm <i>inches</i> | Length (s) mm <i>inches</i> | Flange OD (D1) mm <i>inches</i> | Flange Thickness (s1) mm <i>inches</i> | Bore Tolerance mm <i>inches</i> | Inner Diameter after Press Fit mm <i>inches</i> | Tolerance of ID after Pressfit mm <i>inches</i> | Housing Bore (Max. / Min.) |
|------------------------|---------------------------------|---------------------------------|--------------------------------|------------------------------------|---|------------------------------------|--|--|----------------------------|
| # BF03500-03900-0160-J | 35.000 <i>1.378</i> | 39.000 <i>1.535</i> | 16.000 <i>0.630</i> | 47.00 <i>1.850</i> | 2.00 <i>0.079</i> | | | +0.050/+0.150 | |
| # BF03500-03900-0260-J | 35.000 <i>1.378</i> | 39.000 <i>1.535</i> | 26.000 <i>1.024</i> | 47.00 <i>1.850</i> | 2.00 <i>0.079</i> | | | +0.050/+0.150 | |
| # BF03810-04445-0254-J | 38.100 <i>1.500</i> | 44.450 <i>1.750</i> | 25.400 <i>1.000</i> | 50.80 <i>2.000</i> | 3.18 <i>0.125</i> | | | | |
| # BF03810-04445-0381-J | 38.100 <i>1.500</i> | 44.450 <i>1.750</i> | 38.100 <i>1.500</i> | 50.80 <i>2.000</i> | 3.18 <i>0.125</i> | | | | |
| # BF04000-04400-0300-J | 40.000 <i>1.575</i> | 44.000 <i>1.732</i> | 30.000 <i>1.181</i> | 52.00 <i>2.047</i> | 2.00 <i>0.079</i> | | | +0.050/+0.150 | |
| # BF04000-04400-0400-J | 40.000 <i>1.575</i> | 44.000 <i>1.732</i> | 40.000 <i>1.575</i> | 52.00 <i>2.047</i> | 2.00 <i>0.079</i> | | | +0.050/+0.150 | |
| # BF04128-04763-0254-J | 41.275 <i>1.625</i> | 47.625 <i>1.875</i> | 25.400 <i>1.000</i> | 53.98 <i>2.125</i> | 3.18 <i>0.125</i> | | | | |
| # BF04500-05000-0200-J | 45.000 <i>1.772</i> | 50.000 <i>1.969</i> | 20.000 <i>0.787</i> | 58.00 <i>2.283</i> | 2.00 <i>0.079</i> | | | +0.050/+0.150 | |
| # BF04500-05000-0500-J | 45.000 <i>1.772</i> | 50.000 <i>1.969</i> | 50.000 <i>1.969</i> | 58.00 <i>2.283</i> | 2.00 <i>0.079</i> | | | +0.050/+0.150 | |
| # BF05000-05500-0500-J | 50.000 <i>1.969</i> | 55.000 <i>2.165</i> | 50.000 <i>1.969</i> | 63.00 <i>2.480</i> | 2.00 <i>0.079</i> | | | +0.050/+0.150 | |

Indicates item not stocked at time of printing - Please enquire for lead time

E&OE Pricing and all details subject to change without notice - Copyright Miniature Bearings Australia Pty Ltd

MBA Size Listings are a guide to sizes only and must not be solely relied on for critical design information.

Bushes - Plastic - Iglidur J - Flanged

| Part Number | Nom. ID (d) mm <i>inches</i> | Nom. OD (D) mm <i>inches</i> | Length (s) mm <i>inches</i> | Flange OD (D1) mm <i>inches</i> | Flange Thickness (s1) mm <i>inches</i> | Bore Tolerance mm <i>inches</i> | Inner Diameter after Press Fit mm <i>inches</i> | Tolerance of ID after Pressfit mm <i>inches</i> | Housing Bore (Max. / Min.) |
|------------------------|---------------------------------|---------------------------------|--------------------------------|------------------------------------|---|------------------------------------|--|--|----------------------------|
| # BF05500-06000-0500-J | 55.000 <i>2.165</i> | 60.000 <i>2.362</i> | 50.000 <i>1.969</i> | 68.00 <i>2.677</i> | 2.00 <i>0.079</i> | | | +0.060/+0.180 | |
| # BF07000-07500-0500-J | 70.000 <i>2.756</i> | 75.000 <i>2.953</i> | 50.000 <i>1.969</i> | 83.00 <i>3.268</i> | 2.00 <i>0.079</i> | | | +0.060/+0.180 | |

Indicates item not stocked at time of printing - Please enquire for lead time

E&OE Pricing and all details subject to change without notice - Copyright Miniature Bearings Australia Pty Ltd

MBA Size Listings are a guide to sizes only and must not be solely relied on for critical design information.



DISTRIBUTED BY

Ask us to put your name and address here

<http://www.minibearings.com.au/product>

Ph +61 7 3245 7977

Fax +61 7 3245 1017

Catalogue requests to catalogues@minibearings.com.au

| | | | | | |
|--|--|--|--|--|--|
| | | | | | |
| | | | | | |
| | | | | | |