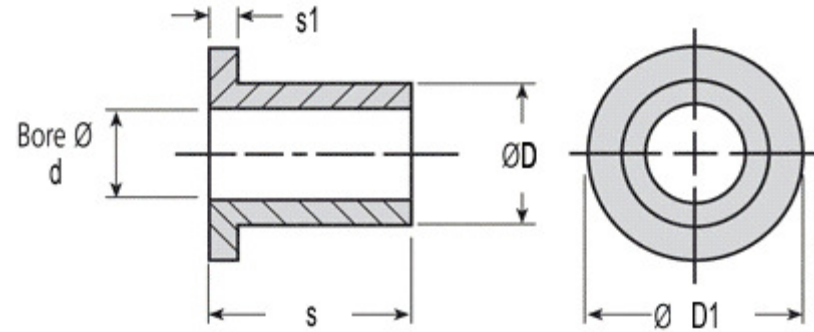




MBA

Bushes - Plastic - Iglidur M250 - Flanged



For impact resistance vibration dampening unclean environments.

Specific Gravity 1.14 g/cm³.

Operating Temp 170 C short term / 80 C long term.

Tensile Strength at 20 deg C = 112 Mpa.

Hardness 79 Shore D (DIN53505).

Tolerances listed are after H7 Pressfit.

This catalogue to be read in conjunction with information at http://www.minibearings.com.au/ogue/tech/materials/iglidur_m250.pdf

Bushes - Plastic - Iglidur M250 - Flanged

Part Number	Nom. ID (d) mm	Nom. OD (D) mm	Length (s) mm	Flange OD (D1) mm	Flange Thickness (s1) mm	Bore Tolerance	Inner Diameter after Press Fit	Tolerance of ID after Pressfit	Housing Bore (Max. / Min.)
	<i>inches</i>	<i>inches</i>	<i>inches</i>	<i>inches</i>	<i>inches</i>				
# BF00100-00300-0020-M2	1.000 <i>0.039</i>	3.000 <i>0.118</i>	2.000 <i>0.079</i>	5.00 <i>0.197</i>	1.00 <i>0.039</i>			+0.020/+0.080	
# BF00150-00400-0020-M2	1.500 <i>0.059</i>	4.000 <i>0.157</i>	2.000 <i>0.079</i>	6.00 <i>0.236</i>	1.00 <i>0.039</i>			+0.020/+0.080	
# BF00250-00600-0040-M2	2.500 <i>0.098</i>	6.000 <i>0.236</i>	4.000 <i>0.157</i>	9.00 <i>0.354</i>	1.50 <i>0.059</i>			+0.020/+0.080	

Indicates item not stocked at time of printing - Please enquire for lead time

E&OE Pricing and all details subject to change without notice - Copyright Miniature Bearings Australia Pty Ltd

MBA Size Listings are a guide to sizes only and must not be solely relied on for critical design information.

Bushes - Plastic - Iglidur M250 - Flanged

Part Number	Nom. ID (d) mm <i>inches</i>	Nom. OD (D) mm <i>inches</i>	Length (s) mm <i>inches</i>	Flange OD (D1) mm <i>inches</i>	Flange Thickness (s1) mm <i>inches</i>	Bore Tolerance	Inner Diameter after Press Fit	Tolerance of ID after Pressfit	Housing Bore (Max. / Min.)
BF00300-00600-0040-M2	3.000 <i>0.118</i>	6.000 <i>0.236</i>	4.000 <i>0.157</i>	9.00 <i>0.354</i>	1.50 <i>0.059</i>			+0.020/+0.080 After H7 Pressfit	
# BF00318-00476-0032-M2	3.175 <i>0.125</i>	4.763 <i>0.188</i>	3.175 <i>0.125</i>	7.94 <i>0.313</i>	0.81 <i>0.032</i>				
# BF00318-00476-0064-M2	3.175 <i>0.125</i>	4.763 <i>0.188</i>	6.350 <i>0.250</i>	7.94 <i>0.313</i>	0.81 <i>0.032</i>				
# BF00318-00635-0032-M2	3.175 <i>0.125</i>	6.350 <i>0.250</i>	3.175 <i>0.125</i>	9.14 <i>0.360</i>	1.19 <i>0.047</i>				
# BF00318-00635-0048-M2	3.175 <i>0.125</i>	6.350 <i>0.250</i>	4.763 <i>0.188</i>	9.14 <i>0.360</i>	1.19 <i>0.047</i>				
# BF00318-00635-0064-M2	3.175 <i>0.125</i>	6.350 <i>0.250</i>	6.350 <i>0.250</i>	9.14 <i>0.360</i>	1.19 <i>0.047</i>				
# BF00318-00635-0095-M2	3.175 <i>0.125</i>	6.350 <i>0.250</i>	9.525 <i>0.375</i>	9.14 <i>0.360</i>	1.19 <i>0.047</i>				
# BF00318-00635-0191-M2	3.175 <i>0.125</i>	6.350 <i>0.250</i>	19.050 <i>0.750</i>	9.14 <i>0.360</i>	1.19 <i>0.047</i>				
# BF00400-00800-0040-M2	4.000 <i>0.157</i>	8.000 <i>0.315</i>	4.000 <i>0.157</i>	12.00 <i>0.472</i>	2.00 <i>0.079</i>			+0.030/+0.105	
# BF00400-00800-0060-M2	4.000 <i>0.157</i>	8.000 <i>0.315</i>	6.000 <i>0.236</i>	12.00 <i>0.472</i>	2.00 <i>0.079</i>	+ 0.030 / + 0.105	4.105 / 4.030		8.015 / 8.000

Indicates item not stocked at time of printing - Please enquire for lead time

E&OE Pricing and all details subject to change without notice - Copyright Miniature Bearings Australia Pty Ltd

MBA Size Listings are a guide to sizes only and must not be solely relied on for critical design information.

Bushes - Plastic - Iglidur M250 - Flanged

Part Number	Nom. ID (d) mm <i>inches</i>	Nom. OD (D) mm <i>inches</i>	Length (s) mm <i>inches</i>	Flange OD (D1) mm <i>inches</i>	Flange Thickness (s1) mm <i>inches</i>	Bore Tolerance	Inner Diameter after Press Fit	Tolerance of ID after Pressfit	Housing Bore (Max. / Min.)
# BF00400-00800-0080-M2	4.000 <i>0.157</i>	8.000 <i>0.315</i>	8.000 <i>0.315</i>	12.00 <i>0.472</i>	2.00 <i>0.079</i>			+0.030/+0.105	
BF00476-00635-0064-M2	4.763 <i>0.188</i>	6.350 <i>0.250</i>	6.350 <i>0.250</i>	9.53 <i>0.375</i>	0.81 <i>0.032</i>				
# BF00476-00635-0095-M2	4.763 <i>0.188</i>	6.350 <i>0.250</i>	9.525 <i>0.375</i>	9.53 <i>0.375</i>	0.81 <i>0.032</i>				
# BF00476-00635-0127-M2	4.763 <i>0.188</i>	6.350 <i>0.250</i>	12.700 <i>0.500</i>	9.53 <i>0.375</i>	0.81 <i>0.032</i>				
# BF00476-00794-0048-M2	4.763 <i>0.188</i>	7.938 <i>0.313</i>	4.763 <i>0.188</i>	9.40 <i>0.370</i>	1.19 <i>0.047</i>				
# BF00476-00794-0064-M2	4.763 <i>0.188</i>	7.938 <i>0.313</i>	6.350 <i>0.250</i>	9.40 <i>0.370</i>	1.19 <i>0.047</i>				
# BF00476-00794-0079-M2	4.763 <i>0.188</i>	7.938 <i>0.313</i>	7.938 <i>0.313</i>	9.40 <i>0.370</i>	1.19 <i>0.047</i>				
# BF00476-00794-0095-M2	4.763 <i>0.188</i>	7.938 <i>0.313</i>	9.525 <i>0.375</i>	9.40 <i>0.370</i>	1.19 <i>0.047</i>				
# BF00476-00794-0127-M2	4.763 <i>0.188</i>	7.938 <i>0.313</i>	12.700 <i>0.500</i>	9.40 <i>0.370</i>	1.19 <i>0.047</i>				
# BF00500-00900-0050-M2	5.000 <i>0.197</i>	9.000 <i>0.354</i>	5.000 <i>0.197</i>	13.00 <i>0.512</i>	2.00 <i>0.079</i>			+0.030/+0.105	

Indicates item not stocked at time of printing - Please enquire for lead time

E&OE Pricing and all details subject to change without notice - Copyright Miniature Bearings Australia Pty Ltd

MBA Size Listings are a guide to sizes only and must not be solely relied on for critical design information.

Bushes - Plastic - Iglidur M250 - Flanged

Part Number	Nom. ID (d) mm <i>inches</i>	Nom. OD (D) mm <i>inches</i>	Length (s) mm <i>inches</i>	Flange OD (D1) mm <i>inches</i>	Flange Thickness (s1) mm <i>inches</i>	Bore Tolerance	Inner Diameter after Press Fit	Tolerance of ID after Pressfit	Housing Bore (Max. / Min.)
# BF00500-00900-0060-M2	5.000 <i>0.197</i>	9.000 <i>0.354</i>	6.000 <i>0.236</i>	13.00 <i>0.512</i>	2.00 <i>0.079</i>			+0.030/+0.105	
# BF00500-00900-0080-M2	5.000 <i>0.197</i>	9.000 <i>0.354</i>	8.000 <i>0.315</i>	13.00 <i>0.512</i>	2.00 <i>0.079</i>	+ 0.030 / + 0.105	5.105 / 5.030		9.015 / 9.000
# BF00600-01000-0040-M2	6.000 <i>0.236</i>	10.000 <i>0.394</i>	4.000 <i>0.157</i>	14.00 <i>0.551</i>	2.00 <i>0.079</i>			+0.030/+0.105	
# BF00600-01000-0060-M2	6.000 <i>0.236</i>	10.000 <i>0.394</i>	6.000 <i>0.236</i>	14.00 <i>0.551</i>	2.00 <i>0.079</i>			+0.030/+0.105	
# BF00600-01000-0100-M2	6.000 <i>0.236</i>	10.000 <i>0.394</i>	10.000 <i>0.394</i>	14.00 <i>0.551</i>	2.00 <i>0.079</i>	+ 0.030 / + 0.105	6.105 / 6.030		10.015 / 10.000
# BF00600-01200-0060-M2	6.000 <i>0.236</i>	12.000 <i>0.472</i>	6.000 <i>0.236</i>	14.00 <i>0.551</i>	3.00 <i>0.118</i>			+0.030/+0.105	
# BF00600-01200-0100-M2	6.000 <i>0.236</i>	12.000 <i>0.472</i>	10.000 <i>0.394</i>	14.00 <i>0.551</i>	3.00 <i>0.118</i>			+0.030/+0.105	
# BF00635-00794-0048-M2	6.350 <i>0.250</i>	7.938 <i>0.313</i>	4.763 <i>0.188</i>	9.40 <i>0.370</i>	1.19 <i>0.047</i>				
# BF00635-00794-0064-M2	6.350 <i>0.250</i>	7.938 <i>0.313</i>	6.350 <i>0.250</i>	11.11 <i>0.437</i>	0.81 <i>0.032</i>				
# BF00635-00794-0095-M2	6.350 <i>0.250</i>	7.938 <i>0.313</i>	9.525 <i>0.375</i>	11.11 <i>0.437</i>	0.81 <i>0.032</i>				

Indicates item not stocked at time of printing - Please enquire for lead time

E&OE Pricing and all details subject to change without notice - Copyright Miniature Bearings Australia Pty Ltd

MBA Size Listings are a guide to sizes only and must not be solely relied on for critical design information.

Bushes - Plastic - Iglidur M250 - Flanged

Part Number	Nom. ID (d) mm <i>inches</i>	Nom. OD (D) mm <i>inches</i>	Length (s) mm <i>inches</i>	Flange OD (D1) mm <i>inches</i>	Flange Thickness (s1) mm <i>inches</i>	Bore Tolerance	Inner Diameter after Press Fit	Tolerance of ID after Pressfit	Housing Bore (Max. / Min.)
# BF00635-00794-0111-M2	6.350 <i>0.250</i>	7.938 <i>0.313</i>	11.113 <i>0.438</i>	11.11 <i>0.437</i>	1.19 <i>0.047</i>				
# BF00635-00794-0127-M2	6.350 <i>0.250</i>	7.938 <i>0.313</i>	12.700 <i>0.500</i>	11.11 <i>0.437</i>	0.81 <i>0.032</i>				
# BF00635-00794-0191-M2	6.350 <i>0.250</i>	7.938 <i>0.313</i>	19.050 <i>0.750</i>	11.11 <i>0.437</i>	1.19 <i>0.047</i>				
# BF00635-00953-0032-M2	6.350 <i>0.250</i>	9.525 <i>0.375</i>	3.175 <i>0.125</i>	14.22 <i>0.560</i>	1.19 <i>0.047</i>				
# BF00635-00953-0048-M2	6.350 <i>0.250</i>	9.525 <i>0.375</i>	4.763 <i>0.188</i>	14.22 <i>0.560</i>	1.19 <i>0.047</i>				
# BF00635-00953-0064-M2	6.350 <i>0.250</i>	9.525 <i>0.375</i>	6.350 <i>0.250</i>	14.22 <i>0.560</i>	1.19 <i>0.047</i>				
# BF00635-00953-0095-M2	6.350 <i>0.250</i>	9.525 <i>0.375</i>	9.525 <i>0.375</i>	14.22 <i>0.560</i>	1.19 <i>0.047</i>				
# BF00635-00953-0127-M2	6.350 <i>0.250</i>	9.525 <i>0.375</i>	12.700 <i>0.500</i>	14.22 <i>0.560</i>	1.19 <i>0.047</i>				
# BF00635-00953-0159-M2	6.350 <i>0.250</i>	9.525 <i>0.375</i>	15.875 <i>0.625</i>	14.22 <i>0.560</i>	1.19 <i>0.047</i>				
# BF00635-00953-0191-M2	6.350 <i>0.250</i>	9.525 <i>0.375</i>	19.050 <i>0.750</i>	14.22 <i>0.560</i>	1.19 <i>0.047</i>				

Indicates item not stocked at time of printing - Please enquire for lead time

E&OE Pricing and all details subject to change without notice - Copyright Miniature Bearings Australia Pty Ltd

MBA Size Listings are a guide to sizes only and must not be solely relied on for critical design information.

Bushes - Plastic - Iglidur M250 - Flanged

Part Number	Nom. ID (d) mm <i>inches</i>	Nom. OD (D) mm <i>inches</i>	Length (s) mm <i>inches</i>	Flange OD (D1) mm <i>inches</i>	Flange Thickness (s1) mm <i>inches</i>	Bore Tolerance	Inner Diameter after Press Fit	Tolerance of ID after Pressfit	Housing Bore (Max. / Min.)
# BF00700-01100-0080-M2	7.000 <i>0.276</i>	11.000 <i>0.433</i>	8.000 <i>0.315</i>	15.00 <i>0.591</i>	2.00 <i>0.079</i>			+0.040/+0.130	
# BF00794-00953-0064-M2	7.938 <i>0.313</i>	9.525 <i>0.375</i>	6.350 <i>0.250</i>	12.70 <i>0.500</i>	0.81 <i>0.032</i>				
# BF00794-00953-0095-M2	7.938 <i>0.313</i>	9.525 <i>0.375</i>	9.525 <i>0.375</i>	12.70 <i>0.500</i>	0.81 <i>0.032</i>				
# BF00794-00953-0127-M2	7.938 <i>0.313</i>	9.525 <i>0.375</i>	12.700 <i>0.500</i>	12.70 <i>0.500</i>	0.81 <i>0.032</i>				
# BF00794-00953-0238-M2	7.938 <i>0.313</i>	9.525 <i>0.375</i>	23.813 <i>0.938</i>	14.22 <i>0.560</i>	0.81 <i>0.032</i>				
# BF00794-01111-0048-M2	7.938 <i>0.313</i>	11.113 <i>0.438</i>	4.763 <i>0.188</i>	14.22 <i>0.560</i>	1.58 <i>0.062</i>				
# BF00794-01111-0064-M2	7.938 <i>0.313</i>	11.113 <i>0.438</i>	6.350 <i>0.250</i>	14.22 <i>0.560</i>	1.58 <i>0.062</i>				
# BF00794-01111-0079-M2	7.938 <i>0.313</i>	11.113 <i>0.438</i>	7.938 <i>0.313</i>	14.22 <i>0.560</i>	1.58 <i>0.062</i>				
# BF00794-01111-0095-M2	7.938 <i>0.313</i>	11.113 <i>0.438</i>	9.525 <i>0.375</i>	14.22 <i>0.560</i>	1.58 <i>0.062</i>				
# BF00794-01111-0127-M2	7.938 <i>0.313</i>	11.113 <i>0.438</i>	12.700 <i>0.500</i>	14.22 <i>0.560</i>	1.58 <i>0.062</i>				

Indicates item not stocked at time of printing - Please enquire for lead time

E&OE Pricing and all details subject to change without notice - Copyright Miniature Bearings Australia Pty Ltd

MBA Size Listings are a guide to sizes only and must not be solely relied on for critical design information.

Bushes - Plastic - Iglidur M250 - Flanged

Part Number	Nom. ID (d) mm <i>inches</i>	Nom. OD (D) mm <i>inches</i>	Length (s) mm <i>inches</i>	Flange OD (D1) mm <i>inches</i>	Flange Thickness (s1) mm <i>inches</i>	Bore Tolerance	Inner Diameter after Press Fit	Tolerance of ID after Pressfit	Housing Bore (Max. / Min.)
# BF00794-01111-0159-M2	7.938 <i>0.313</i>	11.113 <i>0.438</i>	15.875 <i>0.625</i>	14.22 <i>0.560</i>	1.58 <i>0.062</i>				
# BF00794-01111-0191-M2	7.938 <i>0.313</i>	11.113 <i>0.438</i>	19.050 <i>0.750</i>	14.22 <i>0.560</i>	1.58 <i>0.062</i>				
# BF00800-01100-0050-M2	8.000 <i>0.315</i>	11.000 <i>0.433</i>	5.000 <i>0.197</i>	13.00 <i>0.512</i>	2.00 <i>0.079</i>			+0.040/+0.130	
# BF00800-01100-0080-M2	8.000 <i>0.315</i>	11.000 <i>0.433</i>	8.000 <i>0.315</i>	13.00 <i>0.512</i>	2.00 <i>0.079</i>			+0.040/+0.130	
# BF00800-01200-0060-M2	8.000 <i>0.315</i>	12.000 <i>0.472</i>	6.000 <i>0.236</i>	16.00 <i>0.630</i>	2.00 <i>0.079</i>			+0.040/+0.130	
# BF00800-01200-0080-M2	8.000 <i>0.315</i>	12.000 <i>0.472</i>	8.000 <i>0.315</i>	16.00 <i>0.630</i>	2.00 <i>0.079</i>			+0.040/+0.130	
# BF00800-01200-0120-M2	8.000 <i>0.315</i>	12.000 <i>0.472</i>	12.000 <i>0.472</i>	16.00 <i>0.630</i>	2.00 <i>0.079</i>	+ 0.040 / + 0.130	8.130 / 8.040		12.018 / 12.000
# BF00800-01400-0060-M2	8.000 <i>0.315</i>	14.000 <i>0.551</i>	6.000 <i>0.236</i>	18.00 <i>0.709</i>	2.00 <i>0.079</i>			+0.040/+0.130	
# BF00800-01400-0100-M2	8.000 <i>0.315</i>	14.000 <i>0.551</i>	10.000 <i>0.394</i>	18.00 <i>0.709</i>	2.00 <i>0.079</i>			+0.040/+0.130	
# BF00900-01400-0060-M2	9.000 <i>0.354</i>	14.000 <i>0.551</i>	6.000 <i>0.236</i>	19.00 <i>0.748</i>	2.00 <i>0.079</i>			+0.040/+0.130	

Indicates item not stocked at time of printing - Please enquire for lead time

E&OE Pricing and all details subject to change without notice - Copyright Miniature Bearings Australia Pty Ltd

MBA Size Listings are a guide to sizes only and must not be solely relied on for critical design information.

Bushes - Plastic - Iglidur M250 - Flanged

Part Number	Nom. ID (d) mm <i>inches</i>	Nom. OD (D) mm <i>inches</i>	Length (s) mm <i>inches</i>	Flange OD (D1) mm <i>inches</i>	Flange Thickness (s1) mm <i>inches</i>	Bore Tolerance	Inner Diameter after Press Fit	Tolerance of ID after Pressfit	Housing Bore (Max. / Min.)
# BF00900-01400-0100-M2	9.000 <i>0.354</i>	14.000 <i>0.551</i>	10.000 <i>0.394</i>	19.00 <i>0.748</i>	2.00 <i>0.079</i>			+0.040/+0.130	
# BF00900-01400-0140-M2	9.000 <i>0.354</i>	14.000 <i>0.551</i>	14.000 <i>0.551</i>	19.00 <i>0.748</i>	2.00 <i>0.079</i>			+0.040/+0.130	
# BF00953-01111-0064-M2	9.525 <i>0.375</i>	11.113 <i>0.438</i>	6.350 <i>0.250</i>	14.29 <i>0.563</i>	0.81 <i>0.032</i>				
# BF00953-01111-0095-M2	9.525 <i>0.375</i>	11.113 <i>0.438</i>	9.525 <i>0.375</i>	14.29 <i>0.563</i>	0.81 <i>0.032</i>				
# BF00953-01111-0127-M2	9.525 <i>0.375</i>	11.113 <i>0.438</i>	12.700 <i>0.500</i>	14.29 <i>0.563</i>	0.81 <i>0.032</i>				
# BF00953-01270-0032-M2	9.525 <i>0.375</i>	12.700 <i>0.500</i>	3.175 <i>0.125</i>	15.88 <i>0.625</i>	1.58 <i>0.062</i>				
# BF00953-01270-0048-M2	9.525 <i>0.375</i>	12.700 <i>0.500</i>	4.763 <i>0.188</i>	15.88 <i>0.625</i>	1.58 <i>0.062</i>				
# BF00953-01270-0064-M2	9.525 <i>0.375</i>	12.700 <i>0.500</i>	6.350 <i>0.250</i>	15.88 <i>0.625</i>	1.58 <i>0.062</i>				
# BF00953-01270-0079-M2	9.525 <i>0.375</i>	12.700 <i>0.500</i>	7.938 <i>0.313</i>	15.88 <i>0.625</i>	1.58 <i>0.062</i>				
# BF00953-01270-0095-M2	9.525 <i>0.375</i>	12.700 <i>0.500</i>	9.525 <i>0.375</i>	15.88 <i>0.625</i>	1.58 <i>0.062</i>				

Indicates item not stocked at time of printing - Please enquire for lead time

E&OE Pricing and all details subject to change without notice - Copyright Miniature Bearings Australia Pty Ltd

MBA Size Listings are a guide to sizes only and must not be solely relied on for critical design information.

Bushes - Plastic - Iglidur M250 - Flanged

Part Number	Nom. ID (d) mm <i>inches</i>	Nom. OD (D) mm <i>inches</i>	Length (s) mm <i>inches</i>	Flange OD (D1) mm <i>inches</i>	Flange Thickness (s1) mm <i>inches</i>	Bore Tolerance	Inner Diameter after Press Fit	Tolerance of ID after Pressfit	Housing Bore (Max. / Min.)
# BF00953-01270-0127-M2	9.525 <i>0.375</i>	12.700 <i>0.500</i>	12.700 <i>0.500</i>	15.88 <i>0.625</i>	1.58 <i>0.062</i>				
# BF00953-01270-0159-M2	9.525 <i>0.375</i>	12.700 <i>0.500</i>	15.875 <i>0.625</i>	15.88 <i>0.625</i>	1.58 <i>0.062</i>				
# BF00953-01270-0191-M2	9.525 <i>0.375</i>	12.700 <i>0.500</i>	19.050 <i>0.750</i>	15.88 <i>0.625</i>	1.58 <i>0.062</i>				
# BF00953-01270-0254-M2	9.525 <i>0.375</i>	12.700 <i>0.500</i>	25.400 <i>1.000</i>	15.88 <i>0.625</i>	1.58 <i>0.062</i>				
# BF01000-01400-0100-M2	10.000 <i>0.394</i>	14.000 <i>0.551</i>	10.000 <i>0.394</i>	19.00 <i>0.748</i>	2.00 <i>0.079</i>			+0.040/+0.130	
# BF01000-01400-0120-M2	10.000 <i>0.394</i>	14.000 <i>0.551</i>	12.000 <i>0.472</i>	20.00 <i>0.787</i>	2.00 <i>0.079</i>			+0.040/+0.130	
BF01000-01400-0140-M2	10.000 <i>0.394</i>	14.000 <i>0.551</i>	14.000 <i>0.551</i>	17.50 <i>0.689</i>	1.00 <i>0.039</i>			+0.040/+0.130	
# BF01000-01400-0190-M2	10.000 <i>0.394</i>	14.000 <i>0.551</i>	19.000 <i>0.748</i>	17.50 <i>0.689</i>	1.00 <i>0.039</i>			+0.040/+0.130	
# BF01000-01400-0240-M2	10.000 <i>0.394</i>	14.000 <i>0.551</i>	24.000 <i>0.945</i>	17.50 <i>0.689</i>	1.00 <i>0.039</i>			+0.040/+0.130	
# BF01000-01400-0340-M2	10.000 <i>0.394</i>	14.000 <i>0.551</i>	34.000 <i>1.339</i>	17.50 <i>0.689</i>	1.00 <i>0.039</i>			+0.040/+0.130	

Indicates item not stocked at time of printing - Please enquire for lead time

E&OE Pricing and all details subject to change without notice - Copyright Miniature Bearings Australia Pty Ltd

MBA Size Listings are a guide to sizes only and must not be solely relied on for critical design information.

Bushes - Plastic - Iglidur M250 - Flanged

Part Number	Nom. ID (d) mm <i>inches</i>	Nom. OD (D) mm <i>inches</i>	Length (s) mm <i>inches</i>	Flange OD (D1) mm <i>inches</i>	Flange Thickness (s1) mm <i>inches</i>	Bore Tolerance	Inner Diameter after Press Fit	Tolerance of ID after Pressfit	Housing Bore (Max. / Min.)
# BF01000-01600-0060-M2	10.000 <i>0.394</i>	16.000 <i>0.630</i>	6.000 <i>0.236</i>	20.00 <i>0.787</i>	3.00 <i>0.118</i>			+0.040/+0.130	
# BF01000-01600-0080-M2	10.000 <i>0.394</i>	16.000 <i>0.630</i>	8.000 <i>0.315</i>	22.00 <i>0.866</i>	3.00 <i>0.118</i>			+0.040/+0.130	
# BF01000-01600-0100-M2	10.000 <i>0.394</i>	16.000 <i>0.630</i>	10.000 <i>0.394</i>	22.00 <i>0.866</i>	3.00 <i>0.118</i>			+0.040/+0.130	
# BF01000-01600-0160-M2	10.000 <i>0.394</i>	16.000 <i>0.630</i>	16.000 <i>0.630</i>	22.00 <i>0.866</i>	3.00 <i>0.118</i>	+ 0.040 / + 0.130	10.130 / 10.040		16.018 / 16.000
# BF01111-01429-0095-M2	11.113 <i>0.438</i>	14.288 <i>0.563</i>	9.525 <i>0.375</i>	17.45 <i>0.687</i>	1.58 <i>0.062</i>				
# BF01111-01429-0127-M2	11.113 <i>0.438</i>	14.288 <i>0.563</i>	12.700 <i>0.500</i>	17.45 <i>0.687</i>	1.58 <i>0.062</i>				
BF01200-01600-0100-M2	12.000 <i>0.472</i>	16.000 <i>0.630</i>	10.000 <i>0.394</i>	22.00 <i>0.866</i>	2.00 <i>0.079</i>			+0.050/+0.160	
BF01200-01600-0200-M2	12.000 <i>0.472</i>	16.000 <i>0.630</i>	20.000 <i>0.787</i>	22.00 <i>0.866</i>	2.00 <i>0.079</i>			+0.050/+0.160	
# BF01200-01800-0080-M2	12.000 <i>0.472</i>	18.000 <i>0.709</i>	8.000 <i>0.315</i>	24.00 <i>0.945</i>	3.00 <i>0.118</i>			+0.050/+0.160	
# BF01200-01800-0100-M2	12.000 <i>0.472</i>	18.000 <i>0.709</i>	10.000 <i>0.394</i>	22.00 <i>0.866</i>	3.00 <i>0.118</i>	+ 0.050 / + 0.160	12.160 / 12.050		18.018 / 18.000

Indicates item not stocked at time of printing - Please enquire for lead time

E&OE Pricing and all details subject to change without notice - Copyright Miniature Bearings Australia Pty Ltd

MBA Size Listings are a guide to sizes only and must not be solely relied on for critical design information.

Bushes - Plastic - Iglidur M250 - Flanged

Part Number	Nom. ID (d) mm <i>inches</i>	Nom. OD (D) mm <i>inches</i>	Length (s) mm <i>inches</i>	Flange OD (D1) mm <i>inches</i>	Flange Thickness (s1) mm <i>inches</i>	Bore Tolerance	Inner Diameter after Press Fit	Tolerance of ID after Pressfit	Housing Bore (Max. / Min.)
BF01200-01800-0120-M2	12.000 <i>0.472</i>	18.000 <i>0.709</i>	12.000 <i>0.472</i>	24.00 <i>0.945</i>	3.00 <i>0.118</i>			+0.050/+0.160	
# BF01200-01800-0150-M2	12.000 <i>0.472</i>	18.000 <i>0.709</i>	15.000 <i>0.591</i>	22.00 <i>0.866</i>	3.00 <i>0.118</i>			+0.050/+0.160	
# BF01200-01800-0200-M2	12.000 <i>0.472</i>	18.000 <i>0.709</i>	20.000 <i>0.787</i>	22.00 <i>0.866</i>	3.00 <i>0.118</i>			+0.050/+0.160	
# BF01270-01588-0032-M2	12.700 <i>0.500</i>	15.875 <i>0.625</i>	3.175 <i>0.125</i>	22.23 <i>0.875</i>	1.58 <i>0.062</i>				
# BF01270-01588-0064-M2	12.700 <i>0.500</i>	15.875 <i>0.625</i>	6.350 <i>0.250</i>	22.23 <i>0.875</i>	1.58 <i>0.062</i>				
# BF01270-01588-0079-M2	12.700 <i>0.500</i>	15.875 <i>0.625</i>	7.938 <i>0.313</i>	22.23 <i>0.875</i>	1.58 <i>0.062</i>				
# BF01270-01588-0095-M2	12.700 <i>0.500</i>	15.875 <i>0.625</i>	9.525 <i>0.375</i>	22.23 <i>0.875</i>	1.58 <i>0.062</i>				
# BF01270-01588-0127-M2	12.700 <i>0.500</i>	15.875 <i>0.625</i>	12.700 <i>0.500</i>	22.23 <i>0.875</i>	1.58 <i>0.062</i>				
# BF01270-01588-0159-M2	12.700 <i>0.500</i>	15.875 <i>0.625</i>	15.875 <i>0.625</i>	22.23 <i>0.875</i>	1.58 <i>0.062</i>				
# BF01270-01588-0191-M2	12.700 <i>0.500</i>	15.875 <i>0.625</i>	19.050 <i>0.750</i>	22.23 <i>0.875</i>	1.58 <i>0.062</i>				

Indicates item not stocked at time of printing - Please enquire for lead time

E&OE Pricing and all details subject to change without notice - Copyright Miniature Bearings Australia Pty Ltd

MBA Size Listings are a guide to sizes only and must not be solely relied on for critical design information.

Bushes - Plastic - Iglidur M250 - Flanged

Part Number	Nom. ID (d) mm <i>inches</i>	Nom. OD (D) mm <i>inches</i>	Length (s) mm <i>inches</i>	Flange OD (D1) mm <i>inches</i>	Flange Thickness (s1) mm <i>inches</i>	Bore Tolerance	Inner Diameter after Press Fit	Tolerance of ID after Pressfit	Housing Bore (Max. / Min.)
# BF01270-01588-0254-M2	12.700 <i>0.500</i>	15.875 <i>0.625</i>	25.400 <i>1.000</i>	22.23 <i>0.875</i>	1.58 <i>0.062</i>				
# BF01400-02000-0070-M2	14.000 <i>0.551</i>	20.000 <i>0.787</i>	7.000 <i>0.276</i>	25.00 <i>0.984</i>	3.00 <i>0.118</i>			+0.050/+0.160	
# BF01400-02000-0100-M2	14.000 <i>0.551</i>	20.000 <i>0.787</i>	10.000 <i>0.394</i>	25.00 <i>0.984</i>	3.00 <i>0.118</i>			+0.050/+0.160	
# BF01400-02000-0150-M2	14.000 <i>0.551</i>	20.000 <i>0.787</i>	15.000 <i>0.591</i>	25.00 <i>0.984</i>	3.00 <i>0.118</i>			+0.050/+0.160	
BF01400-02000-0200-M2	14.000 <i>0.551</i>	20.000 <i>0.787</i>	20.000 <i>0.787</i>	25.00 <i>0.984</i>	3.00 <i>0.118</i>			+0.050/+0.160	
# BF01500-02100-0100-M2	15.000 <i>0.591</i>	21.000 <i>0.827</i>	10.000 <i>0.394</i>	27.00 <i>1.063</i>	3.00 <i>0.118</i>			+0.050/+0.160	
# BF01500-02100-0150-M2	15.000 <i>0.591</i>	21.000 <i>0.827</i>	15.000 <i>0.591</i>	27.00 <i>1.063</i>	3.00 <i>0.118</i>			+0.050/+0.160	
# BF01500-02100-0200-M2	15.000 <i>0.591</i>	21.000 <i>0.827</i>	20.000 <i>0.787</i>	27.00 <i>1.063</i>	3.00 <i>0.118</i>			+0.050/+0.160	
# BF01500-02100-0250-M2	15.000 <i>0.591</i>	21.000 <i>0.827</i>	25.000 <i>0.984</i>	27.00 <i>1.063</i>	3.00 <i>0.118</i>			+0.050/+0.160	
# BF01588-01905-0095-M2	15.875 <i>0.625</i>	19.050 <i>0.750</i>	9.525 <i>0.375</i>	25.40 <i>1.000</i>	1.58 <i>0.062</i>				

Indicates item not stocked at time of printing - Please enquire for lead time

E&OE Pricing and all details subject to change without notice - Copyright Miniature Bearings Australia Pty Ltd

MBA Size Listings are a guide to sizes only and must not be solely relied on for critical design information.

Bushes - Plastic - Iglidur M250 - Flanged

Part Number	Nom. ID (d) mm <i>inches</i>	Nom. OD (D) mm <i>inches</i>	Length (s) mm <i>inches</i>	Flange OD (D1) mm <i>inches</i>	Flange Thickness (s1) mm <i>inches</i>	Bore Tolerance	Inner Diameter after Press Fit	Tolerance of ID after Pressfit	Housing Bore (Max. / Min.)
# BF01588-01905-0127-M2	15.875 <i>0.625</i>	19.050 <i>0.750</i>	12.700 <i>0.500</i>	25.40 <i>1.000</i>	1.58 <i>0.062</i>				
# BF01588-01905-0159-M2	15.875 <i>0.625</i>	19.050 <i>0.750</i>	15.875 <i>0.625</i>	25.40 <i>1.000</i>	1.58 <i>0.062</i>				
# BF01588-01905-0191-M2	15.875 <i>0.625</i>	19.050 <i>0.750</i>	19.050 <i>0.750</i>	25.40 <i>1.000</i>	1.58 <i>0.062</i>				
# BF01588-01905-0254-M2	15.875 <i>0.625</i>	19.050 <i>0.750</i>	25.400 <i>1.000</i>	25.40 <i>1.000</i>	1.58 <i>0.062</i>				
# BF01588-01905-0381-M2	15.875 <i>0.625</i>	19.050 <i>0.750</i>	38.100 <i>1.500</i>	25.40 <i>1.000</i>	1.58 <i>0.062</i>				
# BF01588-02064-0127-M2	15.875 <i>0.625</i>	20.638 <i>0.813</i>	12.700 <i>0.500</i>	27.00 <i>1.063</i>	3.96 <i>0.156</i>				
# BF01588-02064-0159-M2	15.875 <i>0.625</i>	20.638 <i>0.813</i>	15.875 <i>0.625</i>	27.00 <i>1.063</i>	3.96 <i>0.156</i>				
# BF01588-02064-0191-M2	15.875 <i>0.625</i>	20.638 <i>0.813</i>	19.050 <i>0.750</i>	27.00 <i>1.063</i>	3.96 <i>0.156</i>				
# BF01588-02064-0254-M2	15.875 <i>0.625</i>	20.638 <i>0.813</i>	25.400 <i>1.000</i>	27.00 <i>1.063</i>	3.96 <i>0.156</i>				
# BF01600-01800-0120-M2	16.000 <i>0.630</i>	18.000 <i>0.709</i>	12.000 <i>0.472</i>	24.00 <i>0.945</i>	1.00 <i>0.039</i>	+ 0.050 / + 0.160	16.160 / 16.050		18.021 / 18.000

Indicates item not stocked at time of printing - Please enquire for lead time

E&OE Pricing and all details subject to change without notice - Copyright Miniature Bearings Australia Pty Ltd

MBA Size Listings are a guide to sizes only and must not be solely relied on for critical design information.

Bushes - Plastic - Iglidur M250 - Flanged

Part Number	Nom. ID (d) mm <i>inches</i>	Nom. OD (D) mm <i>inches</i>	Length (s) mm <i>inches</i>	Flange OD (D1) mm <i>inches</i>	Flange Thickness (s1) mm <i>inches</i>	Bore Tolerance	Inner Diameter after Press Fit	Tolerance of ID after Pressfit	Housing Bore (Max. / Min.)
# BF01600-02200-0120-M2	16.000 <i>0.630</i>	22.000 <i>0.866</i>	12.000 <i>0.472</i>	28.00 <i>1.102</i>	3.00 <i>0.118</i>			+0.050/+0.160	
# BF01600-02200-0150-M2	16.000 <i>0.630</i>	22.000 <i>0.866</i>	15.000 <i>0.591</i>	28.00 <i>1.102</i>	3.00 <i>0.118</i>			+0.050/+0.160	
# BF01600-02200-0200-M2	16.000 <i>0.630</i>	22.000 <i>0.866</i>	20.000 <i>0.787</i>	28.00 <i>1.102</i>	3.00 <i>0.118</i>			+0.050/+0.160	
# BF01600-02200-0250-M2	16.000 <i>0.630</i>	22.000 <i>0.866</i>	25.000 <i>0.984</i>	28.00 <i>1.102</i>	3.00 <i>0.118</i>			+0.050/+0.160	
# BF01800-02400-0080-M2	18.000 <i>0.709</i>	24.000 <i>0.945</i>	8.000 <i>0.315</i>	30.00 <i>1.181</i>	3.00 <i>0.118</i>			+0.050/+0.160	
# BF01800-02400-0120-M2	18.000 <i>0.709</i>	24.000 <i>0.945</i>	12.000 <i>0.472</i>	30.00 <i>1.181</i>	3.00 <i>0.118</i>			+0.050/+0.160	
# BF01800-02400-0180-M2	18.000 <i>0.709</i>	24.000 <i>0.945</i>	18.000 <i>0.709</i>	30.00 <i>1.181</i>	3.00 <i>0.118</i>			+0.050/+0.160	
# BF01800-02400-0200-M2	18.000 <i>0.709</i>	24.000 <i>0.945</i>	20.000 <i>0.787</i>	30.00 <i>1.181</i>	3.00 <i>0.118</i>			+0.050/+0.160	
# BF01800-02400-0300-M2	18.000 <i>0.709</i>	24.000 <i>0.945</i>	30.000 <i>1.181</i>	30.00 <i>1.181</i>	3.00 <i>0.118</i>			+0.065/+0.195	
# BF01905-02223-0095-M2	19.050 <i>0.750</i>	22.225 <i>0.875</i>	9.525 <i>0.375</i>	28.58 <i>1.125</i>	3.96 <i>0.156</i>				

Indicates item not stocked at time of printing - Please enquire for lead time

E&OE Pricing and all details subject to change without notice - Copyright Miniature Bearings Australia Pty Ltd

MBA Size Listings are a guide to sizes only and must not be solely relied on for critical design information.

Bushes - Plastic - Iglidur M250 - Flanged

Part Number	Nom. ID (d) mm <i>inches</i>	Nom. OD (D) mm <i>inches</i>	Length (s) mm <i>inches</i>	Flange OD (D1) mm <i>inches</i>	Flange Thickness (s1) mm <i>inches</i>	Bore Tolerance	Inner Diameter after Press Fit	Tolerance of ID after Pressfit	Housing Bore (Max. / Min.)
# BF01905-02223-0127-M2	19.050 <i>0.750</i>	22.225 <i>0.875</i>	12.700 <i>0.500</i>	28.58 <i>1.125</i>	3.96 <i>0.156</i>				
# BF01905-02223-0191-M2	19.050 <i>0.750</i>	22.225 <i>0.875</i>	19.050 <i>0.750</i>	28.58 <i>1.125</i>	1.58 <i>0.062</i>				
# BF01905-02223-0254-M2	19.050 <i>0.750</i>	22.225 <i>0.875</i>	25.400 <i>1.000</i>	28.58 <i>1.125</i>	1.58 <i>0.062</i>				
# BF01905-02223-0381-M2	19.050 <i>0.750</i>	22.225 <i>0.875</i>	38.100 <i>1.500</i>	28.58 <i>1.125</i>	1.58 <i>0.062</i>				
# BF01905-02540-0127-M2	19.050 <i>0.750</i>	25.400 <i>1.000</i>	12.700 <i>0.500</i>	31.75 <i>1.250</i>	3.96 <i>0.156</i>				
# BF01905-02540-0159-M2	19.050 <i>0.750</i>	25.400 <i>1.000</i>	15.875 <i>0.625</i>	31.75 <i>1.250</i>	3.96 <i>0.156</i>				
# BF01905-02540-0191-M2	19.050 <i>0.750</i>	25.400 <i>1.000</i>	19.050 <i>0.750</i>	31.75 <i>1.250</i>	3.96 <i>0.156</i>				
# BF01905-02540-0254-M2	19.050 <i>0.750</i>	25.400 <i>1.000</i>	25.400 <i>1.000</i>	31.75 <i>1.250</i>	3.96 <i>0.156</i>				
# BF01905-02540-0381-M2	19.050 <i>0.750</i>	25.400 <i>1.000</i>	38.100 <i>1.500</i>	31.75 <i>1.250</i>	3.96 <i>0.156</i>				
BF02000-02600-0150-M2	20.000 <i>0.787</i>	26.000 <i>1.024</i>	15.000 <i>0.591</i>	32.00 <i>1.260</i>	3.00 <i>0.118</i>			+0.065/+0.195	

Indicates item not stocked at time of printing - Please enquire for lead time

E&OE Pricing and all details subject to change without notice - Copyright Miniature Bearings Australia Pty Ltd

MBA Size Listings are a guide to sizes only and must not be solely relied on for critical design information.

Bushes - Plastic - Iglidur M250 - Flanged

Part Number	Nom. ID (d) mm <i>inches</i>	Nom. OD (D) mm <i>inches</i>	Length (s) mm <i>inches</i>	Flange OD (D1) mm <i>inches</i>	Flange Thickness (s1) mm <i>inches</i>	Bore Tolerance	Inner Diameter after Press Fit	Tolerance of ID after Pressfit	Housing Bore (Max. / Min.)
# BF02000-02600-0200-M2	20.000 <i>0.787</i>	26.000 <i>1.024</i>	20.000 <i>0.787</i>	32.00 <i>1.260</i>	3.00 <i>0.118</i>	+ 0.060 / + 0.195	20.195 / 20.065		26.021 / 26.000
# BF02000-02600-0300-M2	20.000 <i>0.787</i>	26.000 <i>1.024</i>	30.000 <i>1.181</i>	32.00 <i>1.260</i>	3.00 <i>0.118</i>			+0.065/+0.195	
# BF02200-02800-0150-M2	22.000 <i>0.866</i>	28.000 <i>1.102</i>	15.000 <i>0.591</i>	34.00 <i>1.339</i>	3.00 <i>0.118</i>			+0.065/+0.195	
# BF02200-02800-0200-M2	22.000 <i>0.866</i>	28.000 <i>1.102</i>	20.000 <i>0.787</i>	34.00 <i>1.339</i>	3.00 <i>0.118</i>			+0.065/+0.195	
# BF02200-02800-0300-M2	22.000 <i>0.866</i>	28.000 <i>1.102</i>	30.000 <i>1.181</i>	34.00 <i>1.339</i>	3.00 <i>0.118</i>			+0.065/+0.195	
# BF02223-02540-0191-M2	22.225 <i>0.875</i>	25.400 <i>1.000</i>	19.050 <i>0.750</i>	31.75 <i>1.250</i>	1.58 <i>0.062</i>				
# BF02223-02540-0254-M2	22.225 <i>0.875</i>	25.400 <i>1.000</i>	25.400 <i>1.000</i>	31.75 <i>1.250</i>	1.58 <i>0.062</i>				
# BF02223-02540-0381-M2	22.225 <i>0.875</i>	25.400 <i>1.000</i>	38.100 <i>1.500</i>	31.75 <i>1.250</i>	1.58 <i>0.062</i>				
# BF02223-02858-0127-M2	22.225 <i>0.875</i>	28.575 <i>1.125</i>	12.700 <i>0.500</i>	34.93 <i>1.375</i>	3.96 <i>0.156</i>				
# BF02223-02858-0191-M2	22.225 <i>0.875</i>	28.575 <i>1.125</i>	19.050 <i>0.750</i>	34.93 <i>1.375</i>	3.96 <i>0.156</i>				

Indicates item not stocked at time of printing - Please enquire for lead time

E&OE Pricing and all details subject to change without notice - Copyright Miniature Bearings Australia Pty Ltd

MBA Size Listings are a guide to sizes only and must not be solely relied on for critical design information.

Bushes - Plastic - Iglidur M250 - Flanged

Part Number	Nom. ID (d) mm <i>inches</i>	Nom. OD (D) mm <i>inches</i>	Length (s) mm <i>inches</i>	Flange OD (D1) mm <i>inches</i>	Flange Thickness (s1) mm <i>inches</i>	Bore Tolerance	Inner Diameter after Press Fit	Tolerance of ID after Pressfit	Housing Bore (Max. / Min.)
# BF02223-02858-0254-M2	22.225 <i>0.875</i>	28.575 <i>1.125</i>	25.400 <i>1.000</i>	34.93 <i>1.375</i>	3.96 <i>0.156</i>				
# BF02223-02858-0381-M2	22.225 <i>0.875</i>	28.575 <i>1.125</i>	38.100 <i>1.500</i>	34.93 <i>1.375</i>	3.96 <i>0.156</i>				
# BF02400-03000-0150-M2	24.000 <i>0.945</i>	30.000 <i>1.181</i>	15.000 <i>0.591</i>	36.00 <i>1.417</i>	3.00 <i>0.118</i>			+0.065/+0.195	
# BF02400-03000-0200-M2	24.000 <i>0.945</i>	30.000 <i>1.181</i>	20.000 <i>0.787</i>	36.00 <i>1.417</i>	3.00 <i>0.118</i>			+0.065/+0.195	
# BF02400-03000-0300-M2	24.000 <i>0.945</i>	30.000 <i>1.181</i>	30.000 <i>1.181</i>	36.00 <i>1.417</i>	3.00 <i>0.118</i>			+0.065/+0.195	
# BF02500-03200-0200-M2	25.000 <i>0.984</i>	32.000 <i>1.260</i>	20.000 <i>0.787</i>	38.00 <i>1.496</i>	4.00 <i>0.157</i>			+0.065/+0.195	
# BF02500-03200-0300-M2	25.000 <i>0.984</i>	32.000 <i>1.260</i>	30.000 <i>1.181</i>	38.00 <i>1.496</i>	4.00 <i>0.157</i>			+0.065/+0.195	
# BF02500-03200-0400-M2	25.000 <i>0.984</i>	32.000 <i>1.260</i>	40.000 <i>1.575</i>	38.00 <i>1.496</i>	4.00 <i>0.157</i>			+0.065/+0.195	
# BF02540-02858-0048-M2	25.400 <i>1.000</i>	28.575 <i>1.125</i>	4.763 <i>0.188</i>	34.93 <i>1.375</i>	3.96 <i>0.156</i>				
# BF02540-02858-0191-M2	25.400 <i>1.000</i>	28.575 <i>1.125</i>	19.050 <i>0.750</i>	34.93 <i>1.375</i>	1.58 <i>0.062</i>				

Indicates item not stocked at time of printing - Please enquire for lead time

E&OE Pricing and all details subject to change without notice - Copyright Miniature Bearings Australia Pty Ltd

MBA Size Listings are a guide to sizes only and must not be solely relied on for critical design information.

Bushes - Plastic - Iglidur M250 - Flanged

Part Number	Nom. ID (d) mm <i>inches</i>	Nom. OD (D) mm <i>inches</i>	Length (s) mm <i>inches</i>	Flange OD (D1) mm <i>inches</i>	Flange Thickness (s1) mm <i>inches</i>	Bore Tolerance	Inner Diameter after Press Fit	Tolerance of ID after Pressfit	Housing Bore (Max. / Min.)
# BF02540-02858-0254-M2	25.400 <i>1.000</i>	28.575 <i>1.125</i>	25.400 <i>1.000</i>	34.93 <i>1.375</i>	1.58 <i>0.062</i>				
# BF02540-02858-0381-M2	25.400 <i>1.000</i>	28.575 <i>1.125</i>	38.100 <i>1.500</i>	34.93 <i>1.375</i>	1.58 <i>0.062</i>				
# BF02540-03175-0127-M2	25.400 <i>1.000</i>	31.750 <i>1.250</i>	12.700 <i>0.500</i>	38.10 <i>1.500</i>	4.78 <i>0.188</i>				
# BF02540-03175-0159-M2	25.400 <i>1.000</i>	31.750 <i>1.250</i>	15.875 <i>0.625</i>	38.10 <i>1.500</i>	4.78 <i>0.188</i>				
# BF02540-03175-0191-M2	25.400 <i>1.000</i>	31.750 <i>1.250</i>	19.050 <i>0.750</i>	38.10 <i>1.500</i>	4.78 <i>0.188</i>				
# BF02540-03175-0254-M2	25.400 <i>1.000</i>	31.750 <i>1.250</i>	25.400 <i>1.000</i>	38.10 <i>1.500</i>	4.78 <i>0.188</i>				
# BF02540-03175-0381-M2	25.400 <i>1.000</i>	31.750 <i>1.250</i>	38.100 <i>1.500</i>	38.10 <i>1.500</i>	4.78 <i>0.188</i>				
# BF02700-03400-0200-M2	27.000 <i>1.063</i>	34.000 <i>1.339</i>	20.000 <i>0.787</i>	40.00 <i>1.575</i>	4.00 <i>0.157</i>			+0.065/+0.195	
# BF02700-03400-0300-M2	27.000 <i>1.063</i>	34.000 <i>1.339</i>	30.000 <i>1.181</i>	40.00 <i>1.575</i>	4.00 <i>0.157</i>			+0.065/+0.195	
# BF02700-03400-0400-M2	27.000 <i>1.063</i>	34.000 <i>1.339</i>	40.000 <i>1.575</i>	40.00 <i>1.575</i>	4.00 <i>0.157</i>			+0.065/+0.195	

Indicates item not stocked at time of printing - Please enquire for lead time

E&OE Pricing and all details subject to change without notice - Copyright Miniature Bearings Australia Pty Ltd

MBA Size Listings are a guide to sizes only and must not be solely relied on for critical design information.

Bushes - Plastic - Iglidur M250 - Flanged

Part Number	Nom. ID (d) mm <i>inches</i>	Nom. OD (D) mm <i>inches</i>	Length (s) mm <i>inches</i>	Flange OD (D1) mm <i>inches</i>	Flange Thickness (s1) mm <i>inches</i>	Bore Tolerance	Inner Diameter after Press Fit	Tolerance of ID after Pressfit	Housing Bore (Max. / Min.)
# BF02800-03600-0200-M2	28.000 <i>1.102</i>	36.000 <i>1.417</i>	20.000 <i>0.787</i>	42.00 <i>1.654</i>	4.00 <i>0.157</i>			+0.065/+0.195	
# BF02800-03600-0300-M2	28.000 <i>1.102</i>	36.000 <i>1.417</i>	30.000 <i>1.181</i>	42.00 <i>1.654</i>	4.00 <i>0.157</i>			+0.065/+0.195	
# BF02800-03600-0400-M2	28.000 <i>1.102</i>	36.000 <i>1.417</i>	40.000 <i>1.575</i>	42.00 <i>1.654</i>	4.00 <i>0.157</i>			+0.065/+0.195	
# BF03000-03500-0200-M2	30.000 <i>1.181</i>	35.000 <i>1.378</i>	20.000 <i>0.787</i>	44.00 <i>1.732</i>	4.00 <i>0.157</i>			+0.065/+0.195	
# BF03000-03800-0200-M2	30.000 <i>1.181</i>	38.000 <i>1.496</i>	20.000 <i>0.787</i>	44.00 <i>1.732</i>	4.00 <i>0.157</i>			+0.065/+0.195	
# BF03000-03800-0300-M2	30.000 <i>1.181</i>	38.000 <i>1.496</i>	30.000 <i>1.181</i>	44.00 <i>1.732</i>	4.00 <i>0.157</i>			+0.065/+0.195	
# BF03000-03800-0400-M2	30.000 <i>1.181</i>	38.000 <i>1.496</i>	40.000 <i>1.575</i>	44.00 <i>1.732</i>	4.00 <i>0.157</i>			+0.065/+0.195	
# BF03175-03810-0111-M2	31.750 <i>1.250</i>	38.100 <i>1.500</i>	11.113 <i>0.438</i>	44.45 <i>1.750</i>	5.08 <i>0.200</i>				
# BF03175-03810-0191-M2	31.750 <i>1.250</i>	38.100 <i>1.500</i>	19.050 <i>0.750</i>	44.45 <i>1.750</i>	5.08 <i>0.200</i>				
# BF03175-03810-0254-M2	31.750 <i>1.250</i>	38.100 <i>1.500</i>	25.400 <i>1.000</i>	44.45 <i>1.750</i>	5.08 <i>0.200</i>				

Indicates item not stocked at time of printing - Please enquire for lead time

E&OE Pricing and all details subject to change without notice - Copyright Miniature Bearings Australia Pty Ltd

MBA Size Listings are a guide to sizes only and must not be solely relied on for critical design information.

Bushes - Plastic - Iglidur M250 - Flanged

Part Number	Nom. ID (d) mm <i>inches</i>	Nom. OD (D) mm <i>inches</i>	Length (s) mm <i>inches</i>	Flange OD (D1) mm <i>inches</i>	Flange Thickness (s1) mm <i>inches</i>	Bore Tolerance	Inner Diameter after Press Fit	Tolerance of ID after Pressfit	Housing Bore (Max. / Min.)
# BF03175-03810-0381-M2	31.750 <i>1.250</i>	38.100 <i>1.500</i>	38.100 <i>1.500</i>	44.45 <i>1.750</i>	5.08 <i>0.200</i>				
BF03200-04000-0200-M2	32.000 <i>1.260</i>	40.000 <i>1.575</i>	20.000 <i>0.787</i>	46.00 <i>1.811</i>	4.00 <i>0.157</i>			+0.080/+0.240	
# BF03200-04000-0300-M2	32.000 <i>1.260</i>	40.000 <i>1.575</i>	30.000 <i>1.181</i>	46.00 <i>1.811</i>	4.00 <i>0.157</i>			+0.080/+0.240	
# BF03200-04000-0400-M2	32.000 <i>1.260</i>	40.000 <i>1.575</i>	40.000 <i>1.575</i>	46.00 <i>1.811</i>	4.00 <i>0.157</i>			+0.080/+0.240	
# BF03493-04128-0191-M2	34.925 <i>1.375</i>	41.275 <i>1.625</i>	19.050 <i>0.750</i>	47.63 <i>1.875</i>	3.18 <i>0.125</i>				
# BF03493-04128-0254-M2	34.925 <i>1.375</i>	41.275 <i>1.625</i>	25.400 <i>1.000</i>	47.63 <i>1.875</i>	3.18 <i>0.125</i>				
# BF03810-04445-0191-M2	38.100 <i>1.500</i>	44.450 <i>1.750</i>	19.050 <i>0.750</i>	50.80 <i>2.000</i>	3.18 <i>0.125</i>				
# BF03810-04445-0254-M2	38.100 <i>1.500</i>	44.450 <i>1.750</i>	25.400 <i>1.000</i>	50.80 <i>2.000</i>	3.18 <i>0.125</i>				
# BF03810-04445-0381-M2	38.100 <i>1.500</i>	44.450 <i>1.750</i>	38.100 <i>1.500</i>	50.80 <i>2.000</i>	3.18 <i>0.125</i>				
# BF04128-04763-0254-M2	41.275 <i>1.625</i>	47.625 <i>1.875</i>	25.400 <i>1.000</i>	53.98 <i>2.125</i>	3.18 <i>0.125</i>				

Indicates item not stocked at time of printing - Please enquire for lead time

E&OE Pricing and all details subject to change without notice - Copyright Miniature Bearings Australia Pty Ltd

MBA Size Listings are a guide to sizes only and must not be solely relied on for critical design information.

Bushes - Plastic - Iglidur M250 - Flanged

Part Number	Nom. ID (d) mm <i>inches</i>	Nom. OD (D) mm <i>inches</i>	Length (s) mm <i>inches</i>	Flange OD (D1) mm <i>inches</i>	Flange Thickness (s1) mm <i>inches</i>	Bore Tolerance	Inner Diameter after Press Fit	Tolerance of ID after Pressfit	Housing Bore (Max. / Min.)
# BF04445-05080-0191-M2	44.450 <i>1.750</i>	50.800 <i>2.000</i>	19.050 <i>0.750</i>	57.15 <i>2.250</i>	3.18 <i>0.125</i>				
# BF04445-05080-0254-M2	44.450 <i>1.750</i>	50.800 <i>2.000</i>	25.400 <i>1.000</i>	57.15 <i>2.250</i>	3.18 <i>0.125</i>				
# BF04445-05080-0381-M2	44.450 <i>1.750</i>	50.800 <i>2.000</i>	38.100 <i>1.500</i>	57.15 <i>2.250</i>	3.18 <i>0.125</i>				
# BF05080-05715-0254-M2	50.800 <i>2.000</i>	57.150 <i>2.250</i>	25.400 <i>1.000</i>	63.50 <i>2.500</i>	3.18 <i>0.125</i>				
# BF05080-05715-0381-M2	50.800 <i>2.000</i>	57.150 <i>2.250</i>	38.100 <i>1.500</i>	63.50 <i>2.500</i>	3.18 <i>0.125</i>				
# BF05080-05715-0508-M2	50.800 <i>2.000</i>	57.150 <i>2.250</i>	50.800 <i>2.000</i>	63.50 <i>2.500</i>	3.18 <i>0.125</i>				

Indicates item not stocked at time of printing - Please enquire for lead time

E&OE Pricing and all details subject to change without notice - Copyright Miniature Bearings Australia Pty Ltd

MBA Size Listings are a guide to sizes only and must not be solely relied on for critical design information.



DISTRIBUTED BY

Ask us to put your name and address here

<http://www.minibearings.com.au/product>

Ph +61 7 3245 7977

Fax +61 7 3245 1017

Catalogue requests to catalogues@minibearings.com.au

