



MBA

Bushes - Plastic - Iglidur P - Flanged

Low water absorption. Low wear. High load.

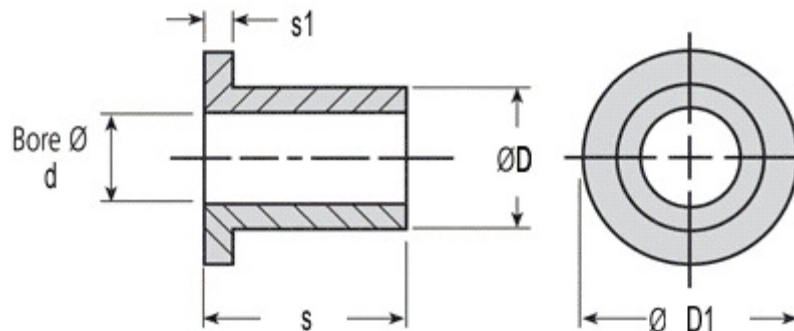
Specific Gravity 1.47 g/cm³.

Operating Temp 200 C short term / 130 C long term.

Tensile Strength at 20 deg C = 120 Mpa.

Hardness 75 Shore D (DIN53505).

Tolerances listed are after H7 Pressfit.



Bushes - Plastic - Iglidur P - Flanged

Part Number	Nom. ID (d) mm	Nom. OD (D) mm	Length (s) mm	Flange OD (D1) mm	Flange Thickness (s1) mm	Tolerance of ID after Pressfit
	<i>inches</i>	<i>inches</i>	<i>inches</i>	<i>inches</i>	<i>inches</i>	
# BF00400-00550-0040-P	4.000 <i>0.157</i>	5.500 <i>0.217</i>	4.000 <i>0.157</i>	9.50 <i>0.374</i>	0.75 <i>0.030</i>	+0.020/+0.068
BF00500-00700-0050-P	5.000 <i>0.197</i>	7.000 <i>0.276</i>	5.000 <i>0.197</i>	11.00 <i>0.433</i>	1.00 <i>0.039</i>	+0.020/+0.068
# BF00600-00800-0040-P	6.000 <i>0.236</i>	8.000 <i>0.315</i>	4.000 <i>0.157</i>	12.00 <i>0.472</i>	1.00 <i>0.039</i>	+0.020/+0.068

Indicates item not stocked at time of printing - Please enquire for lead time

E&OE Pricing and all details subject to change without notice - Copyright Miniature Bearings Australia Pty Ltd

MBA Size Listings are a guide to sizes only and must not be solely relied on for critical design information.

Bushes - Plastic - Iglidur P - Flanged

Part Number	Nom. ID (d) mm	Nom. OD (D) mm	Length (s) mm	Flange OD (D1) mm	Flange Thickness (s1) mm	Tolerance of ID after Pressfit
	<i>inches</i>	<i>inches</i>	<i>inches</i>	<i>inches</i>	<i>inches</i>	
# BF00800-01000-0100-P	8.000 <i>0.315</i>	10.000 <i>0.394</i>	10.000 <i>0.394</i>	15.00 <i>0.591</i>	1.00 <i>0.039</i>	+0.025/+0.083
# BF00800-01000-0150-P	8.000 <i>0.315</i>	10.000 <i>0.394</i>	15.000 <i>0.591</i>	15.00 <i>0.591</i>	1.00 <i>0.039</i>	+0.025/+0.083
# BF01000-01200-0170-P	10.000 <i>0.394</i>	12.000 <i>0.472</i>	17.000 <i>0.669</i>	18.00 <i>0.709</i>	1.00 <i>0.039</i>	+0.025/+0.083
# BF01200-01400-0080-P	12.000 <i>0.472</i>	14.000 <i>0.551</i>	8.000 <i>0.315</i>	18.00 <i>0.709</i>	1.00 <i>0.039</i>	+0.032/+0.102
# BF01200-01400-0100-P	12.000 <i>0.472</i>	14.000 <i>0.551</i>	10.000 <i>0.394</i>	20.00 <i>0.787</i>	1.00 <i>0.039</i>	+0.032/+0.102
# BF01200-01400-0150-P	12.000 <i>0.472</i>	14.000 <i>0.551</i>	15.000 <i>0.591</i>	20.00 <i>0.787</i>	1.00 <i>0.039</i>	+0.032/+0.102
# BF01400-01600-0120-P	14.000 <i>0.551</i>	16.000 <i>0.630</i>	12.000 <i>0.472</i>	22.00 <i>0.866</i>	1.00 <i>0.039</i>	+0.032/+0.102
# BF01500-01800-0320-P	15.000 <i>0.591</i>	18.000 <i>0.709</i>	32.000 <i>1.260</i>	24.00 <i>0.945</i>	1.50 <i>0.059</i>	+0.032/+0.102
# BF01600-01800-0120-P	16.000 <i>0.630</i>	18.000 <i>0.709</i>	12.000 <i>0.472</i>	24.00 <i>0.945</i>	1.00 <i>0.039</i>	+0.032/+0.102
# BF01600-01800-0170-P	16.000 <i>0.630</i>	18.000 <i>0.709</i>	17.000 <i>0.669</i>	24.00 <i>0.945</i>	1.00 <i>0.039</i>	+0.032/+0.102

Indicates item not stocked at time of printing - Please enquire for lead time

E&OE Pricing and all details subject to change without notice - Copyright Miniature Bearings Australia Pty Ltd

MBA Size Listings are a guide to sizes only and must not be solely relied on for critical design information.

Bushes - Plastic - Iglidur P - Flanged

Part Number	Nom. ID (d) mm	Nom. OD (D) mm	Length (s) mm	Flange OD (D1) mm	Flange Thickness (s1) mm	Tolerance of ID after Pressfit
	<i>inches</i>	<i>inches</i>	<i>inches</i>	<i>inches</i>	<i>inches</i>	
# BF01700-01900-0250-P	17.000 <i>0.669</i>	19.000 <i>0.748</i>	25.000 <i>0.984</i>	25.00 <i>0.984</i>	1.00 <i>0.039</i>	+0.032/+0.102
# BF01800-02000-0170-P	18.000 <i>0.709</i>	20.000 <i>0.787</i>	17.000 <i>0.669</i>	26.00 <i>1.024</i>	1.00 <i>0.039</i>	+0.032/+0.102
# BF02000-02300-0150-P	20.000 <i>0.787</i>	23.000 <i>0.906</i>	15.000 <i>0.591</i>	28.00 <i>1.102</i>	1.50 <i>0.059</i>	+0.040/+0.124
# BF02000-02300-0165-P	20.000 <i>0.787</i>	23.000 <i>0.906</i>	16.500 <i>0.650</i>	30.00 <i>1.181</i>	1.50 <i>0.059</i>	+0.040/+0.124
# BF02000-02300-0300-P	20.000 <i>0.787</i>	23.000 <i>0.906</i>	30.000 <i>1.181</i>	30.00 <i>1.181</i>	1.50 <i>0.059</i>	+0.040/+0.124
# BF02500-02800-0215-P	25.000 <i>0.984</i>	28.000 <i>1.102</i>	21.500 <i>0.846</i>	35.00 <i>1.378</i>	1.50 <i>0.059</i>	+0.040/+0.124
# BF02500-02800-0300-P	25.000 <i>0.984</i>	28.000 <i>1.102</i>	30.000 <i>1.181</i>	35.00 <i>1.378</i>	1.50 <i>0.059</i>	+0.040/+0.124
BF03000-03200-0160-P	30.000 <i>1.181</i>	32.000 <i>1.260</i>	16.000 <i>0.630</i>	42.00 <i>1.654</i>	2.00 <i>0.079</i>	+0.040/+0.124
# BF03000-03400-0400-P	30.000 <i>1.181</i>	34.000 <i>1.339</i>	40.000 <i>1.575</i>	42.00 <i>1.654</i>	2.00 <i>0.079</i>	+0.040/+0.124
# BF03500-03900-0260-P	35.000 <i>1.378</i>	39.000 <i>1.535</i>	26.000 <i>1.024</i>	47.00 <i>1.850</i>	2.00 <i>0.079</i>	+0.050/+0.150

Indicates item not stocked at time of printing - Please enquire for lead time

E&OE Pricing and all details subject to change without notice - Copyright Miniature Bearings Australia Pty Ltd

MBA Size Listings are a guide to sizes only and must not be solely relied on for critical design information.

Bushes - Plastic - Iglidur P - Flanged

Part Number	Nom. ID (d) mm	Nom. OD (D) mm	Length (s) mm	Flange OD (D1) mm	Flange Thickness (s1) mm	Tolerance of ID after Pressfit
	<i>inches</i>	<i>inches</i>	<i>inches</i>	<i>inches</i>	<i>inches</i>	
# BF04000-04400-0400-P	40.000 <i>1.575</i>	44.000 <i>1.732</i>	40.000 <i>1.575</i>	52.00 <i>2.047</i>	2.00 <i>0.079</i>	+0.050/+0.150
# BF05000-05500-0600-P	50.000 <i>1.969</i>	55.000 <i>2.165</i>	60.000 <i>2.362</i>	63.00 <i>2.480</i>	2.00 <i>0.079</i>	+0.050/+0.150
# BF06000-06500-0500-P	60.000 <i>2.362</i>	65.000 <i>2.559</i>	50.000 <i>1.969</i>	73.00 <i>2.874</i>	2.00 <i>0.079</i>	+0.060/+0.180
# BF07000-07500-0500-P	70.000 <i>2.756</i>	75.000 <i>2.953</i>	50.000 <i>1.969</i>	83.00 <i>3.268</i>	2.00 <i>0.079</i>	+0.060/+0.180

Indicates item not stocked at time of printing - Please enquire for lead time

E&OE Pricing and all details subject to change without notice - Copyright Miniature Bearings Australia Pty Ltd

MBA Size Listings are a guide to sizes only and must not be solely relied on for critical design information.



DISTRIBUTED BY

Ask us to put your name and address here

<http://www.minibearings.com.au/product>

Ph +61 7 3245 7977

Fax +61 7 3245 1017

Catalogue requests to catalogues@minibearings.com.au
