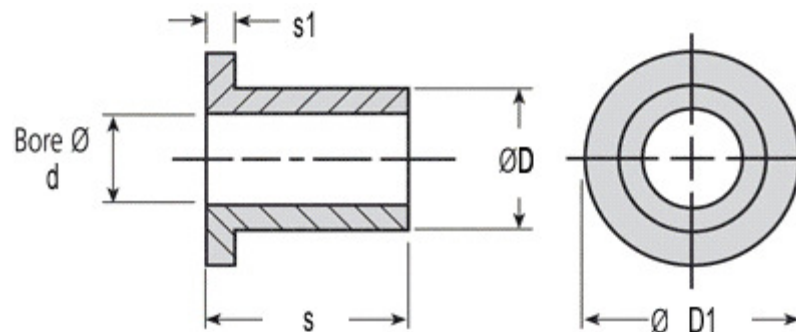




MBA

Bushes - Plastic - Iglidur Q - Flanged



Excellent wear resistance under high load. Resistant to dirt.

Specific Gravity 1.40 g/cm³.

Operating Temp 155 C short term / 135 C long term.

Tensile Strength at 20 deg C = 120 Mpa.

Hardness 83 Shore D (DIN53505).

Tolerances listed are after H7 Pressfit.

Bushes - Plastic - Iglidur Q - Flanged

Part Number	Nom. ID (d) mm	Nom. OD (D) mm	Length (s) mm	Flange OD (D1) mm	Flange Thickness (s1) mm	Tolerance of ID after Pressfit
	<i>inches</i>	<i>inches</i>	<i>inches</i>	<i>inches</i>	<i>inches</i>	
# BF00600-00800-0040-Q	6.000 <i>0.236</i>	8.000 <i>0.315</i>	4.000 <i>0.157</i>	12.00 <i>0.472</i>	1.00 <i>0.039</i>	+0.020/+0.068
# BF00800-01000-0055-Q	8.000 <i>0.315</i>	10.000 <i>0.394</i>	5.500 <i>0.217</i>	15.00 <i>0.591</i>	1.00 <i>0.039</i>	+0.025/+0.083
# BF00953-01191-0064-Q	9.525 <i>0.375</i>	11.906 <i>0.469</i>	6.350 <i>0.250</i>	17.45 <i>0.687</i>		

Indicates item not stocked at time of printing - Please enquire for lead time

E&OE Pricing and all details subject to change without notice - Copyright Miniature Bearings Australia Pty Ltd

MBA Size Listings are a guide to sizes only and must not be solely relied on for critical design information.

Bushes - Plastic - Iglidur Q - Flanged

Part Number	Nom. ID (d) mm <i>inches</i>	Nom. OD (D) mm <i>inches</i>	Length (s) mm <i>inches</i>	Flange OD (D1) mm <i>inches</i>	Flange Thickness (s1) mm <i>inches</i>	Tolerance of ID after Pressfit
# BF00953-01191-0127-Q	9.525 <i>0.375</i>	11.906 <i>0.469</i>	12.700 <i>0.500</i>	17.45 <i>0.687</i>		
# BF01000-01200-0035-Q	10.000 <i>0.394</i>	12.000 <i>0.472</i>	3.500 <i>0.138</i>	18.00 <i>0.709</i>	1.00 <i>0.039</i>	+0.025/+0.083
BF01000-01200-0060-Q	10.000 <i>0.394</i>	12.000 <i>0.472</i>	6.000 <i>0.236</i>	18.00 <i>0.709</i>	1.00 <i>0.039</i>	+0.025/+0.083
# BF01000-01200-0100-Q	10.000 <i>0.394</i>	12.000 <i>0.472</i>	10.000 <i>0.394</i>	18.00 <i>0.709</i>	1.00 <i>0.039</i>	+0.025/+0.083
# BF01200-01400-0120-Q	12.000 <i>0.472</i>	14.000 <i>0.551</i>	12.000 <i>0.472</i>	20.00 <i>0.787</i>	1.00 <i>0.039</i>	+0.032/+0.102
# BF01200-01400-0200-Q	12.000 <i>0.472</i>	14.000 <i>0.551</i>	20.000 <i>0.787</i>	20.00 <i>0.787</i>	1.00 <i>0.039</i>	+0.032/+0.102
# BF01270-01508-0064-Q	12.700 <i>0.500</i>	15.081 <i>0.594</i>	6.350 <i>0.250</i>	22.23 <i>0.875</i>		
# BF01270-01508-0127-Q	12.700 <i>0.500</i>	15.081 <i>0.594</i>	12.700 <i>0.500</i>	22.23 <i>0.875</i>		
# BF01270-01508-0191-Q	12.700 <i>0.500</i>	15.081 <i>0.594</i>	19.050 <i>0.750</i>	22.23 <i>0.875</i>		
# BF01400-01600-0120-Q	14.000 <i>0.551</i>	16.000 <i>0.630</i>	12.000 <i>0.472</i>	22.00 <i>0.866</i>	1.00 <i>0.039</i>	+0.032/+0.102

Indicates item not stocked at time of printing - Please enquire for lead time

E&OE Pricing and all details subject to change without notice - Copyright Miniature Bearings Australia Pty Ltd

MBA Size Listings are a guide to sizes only and must not be solely relied on for critical design information.

Bushes - Plastic - Iglidur Q - Flanged

Part Number	Nom. ID (d) mm <i>inches</i>	Nom. OD (D) mm <i>inches</i>	Length (s) mm <i>inches</i>	Flange OD (D1) mm <i>inches</i>	Flange Thickness (s1) mm <i>inches</i>	Tolerance of ID after Pressfit
# BF01588-01826-0191-Q	15.875 <i>0.625</i>	18.256 <i>0.719</i>	19.050 <i>0.750</i>	23.80 <i>0.937</i>		
# BF01588-01905-0191-Q	15.875 <i>0.625</i>	19.050 <i>0.750</i>	19.050 <i>0.750</i>	25.40 <i>1.000</i>		
# BF01600-01800-0170-Q	16.000 <i>0.630</i>	18.000 <i>0.709</i>	17.000 <i>0.669</i>	24.00 <i>0.945</i>	1.00 <i>0.039</i>	+0.032/+0.102
# BF01800-02000-0120-Q	18.000 <i>0.709</i>	20.000 <i>0.787</i>	12.000 <i>0.472</i>	26.00 <i>1.024</i>	1.00 <i>0.039</i>	+0.032/+0.102
# BF01905-02223-0127-Q	19.050 <i>0.750</i>	22.225 <i>0.875</i>	12.700 <i>0.500</i>	28.58 <i>1.125</i>		
# BF01905-02223-0191-Q	19.050 <i>0.750</i>	22.225 <i>0.875</i>	19.050 <i>0.750</i>	28.58 <i>1.125</i>		
# BF01905-02223-0254-Q	19.050 <i>0.750</i>	22.225 <i>0.875</i>	25.400 <i>1.000</i>	28.58 <i>1.125</i>		
# BF02223-02450-0191-Q	22.225 <i>0.875</i>	24.500 <i>0.965</i>	19.050 <i>0.750</i>	31.75 <i>1.250</i>		
# BF02223-02450-0254-Q	22.225 <i>0.875</i>	24.500 <i>0.965</i>	25.400 <i>1.000</i>	31.75 <i>1.250</i>		
# BF02500-02800-0215-Q	25.000 <i>0.984</i>	28.000 <i>1.102</i>	21.500 <i>0.846</i>	35.00 <i>1.378</i>	1.50 <i>0.059</i>	+0.040/+0.124

Indicates item not stocked at time of printing - Please enquire for lead time

E&OE Pricing and all details subject to change without notice - Copyright Miniature Bearings Australia Pty Ltd

MBA Size Listings are a guide to sizes only and must not be solely relied on for critical design information.

Bushes - Plastic - Iglidur Q - Flanged

Part Number	Nom. ID (d) mm	Nom. OD (D) mm	Length (s) mm	Flange OD (D1) mm	Flange Thickness (s1) mm	Tolerance of ID after Pressfit
	<i>inches</i>	<i>inches</i>	<i>inches</i>	<i>inches</i>	<i>inches</i>	
# BF02540-02858-0127-Q	25.400 <i>1.000</i>	28.575 <i>1.125</i>	12.700 <i>0.500</i>	34.93 <i>1.375</i>		
# BF02540-02858-0254-Q	25.400 <i>1.000</i>	28.575 <i>1.125</i>	25.400 <i>1.000</i>	34.93 <i>1.375</i>		
# BF02540-02858-0381-Q	25.400 <i>1.000</i>	28.575 <i>1.125</i>	38.100 <i>1.500</i>	34.93 <i>1.375</i>		
# BF02700-03000-0200-Q	27.000 <i>1.063</i>	30.000 <i>1.181</i>	20.000 <i>0.787</i>	38.00 <i>1.496</i>	1.50 <i>0.059</i>	+0.040/+0.124
# BF02858-03254-0191-Q	28.575 <i>1.125</i>	32.544 <i>1.281</i>	19.050 <i>0.750</i>	39.68 <i>1.562</i>		
# BF02858-03254-0381-Q	28.575 <i>1.125</i>	32.544 <i>1.281</i>	38.100 <i>1.500</i>	39.68 <i>1.562</i>		
# BF03000-03400-0370-Q	30.000 <i>1.181</i>	34.000 <i>1.339</i>	37.000 <i>1.457</i>	42.00 <i>1.654</i>	2.00 <i>0.079</i>	+0.040/+0.124
# BF03175-03572-0318-Q	31.750 <i>1.250</i>	35.719 <i>1.406</i>	31.750 <i>1.250</i>	42.85 <i>1.687</i>		
# BF03175-03572-0381-Q	31.750 <i>1.250</i>	35.719 <i>1.406</i>	38.100 <i>1.500</i>	42.85 <i>1.687</i>		
# BF03500-03900-0260-Q	35.000 <i>1.378</i>	39.000 <i>1.535</i>	26.000 <i>1.024</i>	47.00 <i>1.850</i>	2.00 <i>0.079</i>	+0.050/+0.150

Indicates item not stocked at time of printing - Please enquire for lead time

E&OE Pricing and all details subject to change without notice - Copyright Miniature Bearings Australia Pty Ltd

MBA Size Listings are a guide to sizes only and must not be solely relied on for critical design information.

Bushes - Plastic - Iglidur Q - Flanged

Part Number	Nom. ID (d) mm	Nom. OD (D) mm	Length (s) mm	Flange OD (D1) mm	Flange Thickness (s1) mm	Tolerance of ID after Pressfit
	<i>inches</i>	<i>inches</i>	<i>inches</i>	<i>inches</i>	<i>inches</i>	
# BF03810-04207-0381-Q	38.100 <i>1.500</i>	42.069 <i>1.656</i>	38.100 <i>1.500</i>	50.80 <i>2.000</i>		
# BF04000-04400-0400-Q	40.000 <i>1.575</i>	44.000 <i>1.732</i>	40.000 <i>1.575</i>	52.00 <i>2.047</i>	2.00 <i>0.079</i>	+0.050/+0.150
# BF04445-04921-0508-Q	44.450 <i>1.750</i>	49.213 <i>1.938</i>	50.800 <i>2.000</i>	60.33 <i>2.375</i>		
# BF05000-05500-0500-Q	50.000 <i>1.969</i>	55.000 <i>2.165</i>	50.000 <i>1.969</i>	63.00 <i>2.480</i>	2.00 <i>0.079</i>	+0.050/+0.150
# BF05080-05556-0508-Q	50.800 <i>2.000</i>	55.563 <i>2.188</i>	50.800 <i>2.000</i>	66.68 <i>2.625</i>		
# BF05715-06179-0508-Q	57.150 <i>2.250</i>	61.792 <i>2.433</i>	50.800 <i>2.000</i>	69.85 <i>2.750</i>		
# BF06000-06500-0500-Q	60.000 <i>2.362</i>	65.000 <i>2.559</i>	50.000 <i>1.969</i>	73.00 <i>2.874</i>	2.00 <i>0.079</i>	+0.060/+0.180
# BF07000-07500-0750-Q	70.000 <i>2.756</i>	75.000 <i>2.953</i>	75.000 <i>2.953</i>	83.00 <i>3.268</i>	2.00 <i>0.079</i>	+0.060/+0.180

Indicates item not stocked at time of printing - Please enquire for lead time

E&OE Pricing and all details subject to change without notice - Copyright Miniature Bearings Australia Pty Ltd

MBA Size Listings are a guide to sizes only and must not be solely relied on for critical design information.



DISTRIBUTED BY

Ask us to put your name and address here

<http://www.minibearings.com.au/product>

Ph +61 7 3245 7977

Fax +61 7 3245 1017

Catalogue requests to catalogues@minibearings.com.au

