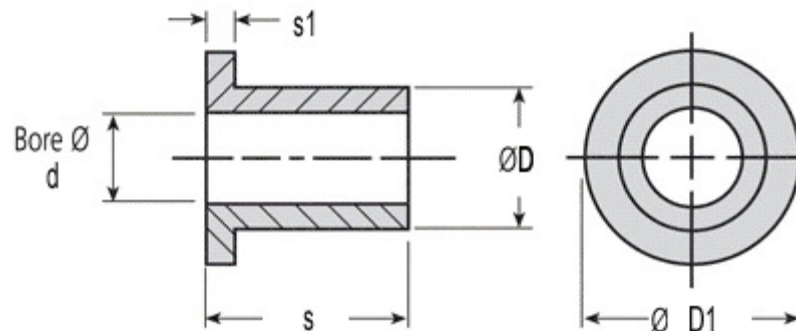




MBA

Bushes - Plastic - Iglidur W300 - Flanged



Low co-efficient of friction. High wear resistance. Chemical resistant.

Specific Gravity 1.24 g/cm3.

Operating Temp 180 C short term / 90 C long term.

Tensile Strength at 20 deg C = 125 Mpa.

Hardness 77 Shore D (DIN53505).

Tolerances listed are after H7 Pressfit.

Bushes - Plastic - Iglidur W300 - Flanged

Part Number	Nom. ID (d) mm	Nom. OD (D) mm	Length (s) mm	Flange OD (D1) mm	Flange Thickness (s1) mm	Tolerance of ID after Pressfit
	<i>inches</i>	<i>inches</i>	<i>inches</i>	<i>inches</i>	<i>inches</i>	
# BF00300-00450-0030-W3	3.000 <i>0.118</i>	4.500 <i>0.177</i>	3.000 <i>0.118</i>	7.50 <i>0.295</i>	0.75 <i>0.030</i>	+0.014/+0.054
# BF00300-00450-0050-W3	3.000 <i>0.118</i>	4.500 <i>0.177</i>	5.000 <i>0.197</i>	7.50 <i>0.295</i>	0.75 <i>0.030</i>	+0.014/+0.054
# BF00318-00476-0095-W3	3.175 <i>0.125</i>	4.760 <i>0.187</i>	9.525 <i>0.375</i>	7.93 <i>0.312</i>	0.81 <i>0.032</i>	

Indicates item not stocked at time of printing - Please enquire for lead time

E&OE Pricing and all details subject to change without notice - Copyright Miniature Bearings Australia Pty Ltd

MBA Size Listings are a guide to sizes only and must not be solely relied on for critical design information.

Bushes - Plastic - Iglidur W300 - Flanged

Part Number	Nom. ID (d) mm <i>inches</i>	Nom. OD (D) mm <i>inches</i>	Length (s) mm <i>inches</i>	Flange OD (D1) mm <i>inches</i>	Flange Thickness (s1) mm <i>inches</i>	Tolerance of ID after Pressfit
# BF00318-00476-0048-W3	3.175 <i>0.125</i>	4.763 <i>0.188</i>	4.763 <i>0.188</i>	7.93 <i>0.312</i>	0.81 <i>0.032</i>	
# BF00318-00476-0064-W3	3.175 <i>0.125</i>	4.763 <i>0.188</i>	6.350 <i>0.250</i>	7.93 <i>0.312</i>	0.81 <i>0.032</i>	
# BF00400-00550-0030-W3	4.000 <i>0.157</i>	5.500 <i>0.217</i>	3.000 <i>0.118</i>	9.50 <i>0.374</i>	0.75 <i>0.030</i>	+0.020/+0.068
# BF00400-00550-0040-W3	4.000 <i>0.157</i>	5.500 <i>0.217</i>	4.000 <i>0.157</i>	9.50 <i>0.374</i>	0.75 <i>0.030</i>	+0.020/+0.068
# BF00400-00550-0060-W3	4.000 <i>0.157</i>	5.500 <i>0.217</i>	6.000 <i>0.236</i>	9.50 <i>0.374</i>	0.75 <i>0.030</i>	+0.020/+0.068
# BF00476-00635-0032-W3	4.763 <i>0.188</i>	6.350 <i>0.250</i>	3.175 <i>0.125</i>	9.53 <i>0.375</i>	0.81 <i>0.032</i>	
# BF00476-00635-0064-W3	4.763 <i>0.188</i>	6.350 <i>0.250</i>	6.350 <i>0.250</i>	9.53 <i>0.375</i>	0.81 <i>0.032</i>	
# BF00476-00635-0095-W3	4.763 <i>0.188</i>	6.350 <i>0.250</i>	9.525 <i>0.375</i>	9.53 <i>0.375</i>	0.81 <i>0.032</i>	
# BF00476-00635-0127-W3	4.763 <i>0.188</i>	6.350 <i>0.250</i>	12.700 <i>0.500</i>	9.53 <i>0.375</i>	0.81 <i>0.032</i>	
# BF00500-00700-0040-W3	5.000 <i>0.197</i>	7.000 <i>0.276</i>	4.000 <i>0.157</i>	11.00 <i>0.433</i>	1.00 <i>0.039</i>	+0.020/+0.068

Indicates item not stocked at time of printing - Please enquire for lead time

E&OE Pricing and all details subject to change without notice - Copyright Miniature Bearings Australia Pty Ltd

MBA Size Listings are a guide to sizes only and must not be solely relied on for critical design information.

Bushes - Plastic - Iglidur W300 - Flanged

Part Number	Nom. ID (d) mm	Nom. OD (D) mm	Length (s) mm	Flange OD (D1) mm	Flange Thickness (s1) mm	Tolerance of ID after Pressfit
	<i>inches</i>	<i>inches</i>	<i>inches</i>	<i>inches</i>	<i>inches</i>	
# BF00500-00700-0050-W3	5.000 <i>0.197</i>	7.000 <i>0.276</i>	5.000 <i>0.197</i>	11.00 <i>0.433</i>	1.00 <i>0.039</i>	+0.020/+0.068
BF00600-00800-0040-W3	6.000 <i>0.236</i>	8.000 <i>0.315</i>	4.000 <i>0.157</i>	12.00 <i>0.472</i>	1.00 <i>0.039</i>	+0.020/+0.068
# BF00600-00800-0060-W3	6.000 <i>0.236</i>	8.000 <i>0.315</i>	6.000 <i>0.236</i>	12.00 <i>0.472</i>	1.00 <i>0.039</i>	+0.020/+0.068
# BF00600-00800-0080-W3	6.000 <i>0.236</i>	8.000 <i>0.315</i>	8.000 <i>0.315</i>	12.00 <i>0.472</i>	1.00 <i>0.039</i>	+0.020/+0.068
# BF00600-00800-0100-W3	6.000 <i>0.236</i>	8.000 <i>0.315</i>	10.000 <i>0.394</i>	12.00 <i>0.472</i>	1.00 <i>0.039</i>	+0.020/+0.068
# BF00635-00794-0064-W3	6.350 <i>0.250</i>	7.938 <i>0.313</i>	6.350 <i>0.250</i>	12.70 <i>0.500</i>	0.81 <i>0.032</i>	
# BF00635-00794-0079-W3	6.350 <i>0.250</i>	7.938 <i>0.313</i>	7.938 <i>0.313</i>	12.70 <i>0.500</i>	0.81 <i>0.032</i>	
# BF00635-00794-0095-W3	6.350 <i>0.250</i>	7.938 <i>0.313</i>	9.525 <i>0.375</i>	12.70 <i>0.500</i>	0.81 <i>0.032</i>	
# BF00635-00794-0127-W3	6.350 <i>0.250</i>	7.938 <i>0.313</i>	12.700 <i>0.500</i>	12.70 <i>0.500</i>	0.81 <i>0.032</i>	
# BF00635-00794-0191-W3	6.350 <i>0.250</i>	7.938 <i>0.313</i>	19.050 <i>0.750</i>	12.70 <i>0.500</i>	0.81 <i>0.032</i>	

Indicates item not stocked at time of printing - Please enquire for lead time

E&OE Pricing and all details subject to change without notice - Copyright Miniature Bearings Australia Pty Ltd

MBA Size Listings are a guide to sizes only and must not be solely relied on for critical design information.

Bushes - Plastic - Iglidur W300 - Flanged

Part Number	Nom. ID (d) mm	Nom. OD (D) mm	Length (s) mm	Flange OD (D1) mm	Flange Thickness (s1) mm	Tolerance of ID after Pressfit
	<i>inches</i>	<i>inches</i>	<i>inches</i>	<i>inches</i>	<i>inches</i>	
# BF00700-00900-0120-W3	7.000 <i>0.276</i>	9.000 <i>0.354</i>	12.000 <i>0.472</i>	15.00 <i>0.591</i>	1.00 <i>0.039</i>	+0.025/+0.083
BF00794-00953-0064-W3	7.938 <i>0.313</i>	9.525 <i>0.375</i>	6.350 <i>0.250</i>	14.28 <i>0.562</i>	0.81 <i>0.032</i>	
# BF00794-00953-0095-W3	7.938 <i>0.313</i>	9.525 <i>0.375</i>	9.525 <i>0.375</i>	14.28 <i>0.562</i>	0.81 <i>0.032</i>	
# BF00794-00953-0127-W3	7.938 <i>0.313</i>	9.525 <i>0.375</i>	12.700 <i>0.500</i>	14.28 <i>0.562</i>	0.81 <i>0.032</i>	
# BF00794-00953-0191-W3	7.938 <i>0.313</i>	9.525 <i>0.375</i>	19.050 <i>0.750</i>	14.28 <i>0.562</i>	0.81 <i>0.032</i>	
# BF00800-01000-0027-W3	8.000 <i>0.315</i>	10.000 <i>0.394</i>	2.700 <i>0.106</i>	15.00 <i>0.591</i>	1.00 <i>0.039</i>	+0.025/+0.083
# BF00800-01000-0050-W3	8.000 <i>0.315</i>	10.000 <i>0.394</i>	5.000 <i>0.197</i>	15.00 <i>0.591</i>	1.00 <i>0.039</i>	+0.025/+0.083
# BF00800-01000-0055-W3	8.000 <i>0.315</i>	10.000 <i>0.394</i>	5.500 <i>0.217</i>	15.00 <i>0.591</i>	1.00 <i>0.039</i>	+0.025/+0.083
# BF00800-01000-0075-W3	8.000 <i>0.315</i>	10.000 <i>0.394</i>	7.500 <i>0.295</i>	15.00 <i>0.591</i>	1.00 <i>0.039</i>	+0.025/+0.083
# BF00800-01000-0095-W3	8.000 <i>0.315</i>	10.000 <i>0.394</i>	9.500 <i>0.374</i>	15.00 <i>0.591</i>	1.00 <i>0.039</i>	+0.025/+0.083

Indicates item not stocked at time of printing - Please enquire for lead time

E&OE Pricing and all details subject to change without notice - Copyright Miniature Bearings Australia Pty Ltd

MBA Size Listings are a guide to sizes only and must not be solely relied on for critical design information.

Bushes - Plastic - Iglidur W300 - Flanged

Part Number	Nom. ID (d) mm	Nom. OD (D) mm	Length (s) mm	Flange OD (D1) mm	Flange Thickness (s1) mm	Tolerance of ID after Pressfit
	<i>inches</i>	<i>inches</i>	<i>inches</i>	<i>inches</i>	<i>inches</i>	
# BF00800-01000-0100-W3	8.000 <i>0.315</i>	10.000 <i>0.394</i>	10.000 <i>0.394</i>	15.00 <i>0.591</i>	1.00 <i>0.039</i>	+0.025/+0.083
# BF00800-01000-0230-W3	8.000 <i>0.315</i>	10.000 <i>0.394</i>	23.000 <i>0.906</i>	15.00 <i>0.591</i>	1.00 <i>0.039</i>	+0.025/+0.083
# BF00800-01000-0300-W3	8.000 <i>0.315</i>	10.000 <i>0.394</i>	30.000 <i>1.181</i>	15.00 <i>0.591</i>	1.00 <i>0.039</i>	+0.025/+0.083
# BF00953-01191-0064-W3	9.525 <i>0.375</i>	11.906 <i>0.469</i>	6.350 <i>0.250</i>	17.45 <i>0.687</i>	1.17 <i>0.046</i>	
# BF00953-01191-0095-W3	9.525 <i>0.375</i>	11.906 <i>0.469</i>	9.525 <i>0.375</i>	17.45 <i>0.687</i>	1.17 <i>0.046</i>	
# BF00953-01191-0127-W3	9.525 <i>0.375</i>	11.906 <i>0.469</i>	12.700 <i>0.500</i>	17.45 <i>0.687</i>	1.17 <i>0.046</i>	
# BF00953-01191-0191-W3	9.525 <i>0.375</i>	11.906 <i>0.469</i>	19.050 <i>0.750</i>	17.45 <i>0.687</i>	1.17 <i>0.046</i>	
# BF01000-01200-0050-W3	10.000 <i>0.394</i>	12.000 <i>0.472</i>	5.000 <i>0.197</i>	18.00 <i>0.709</i>	1.00 <i>0.039</i>	+0.025/+0.083
# BF01000-01200-0060-W3	10.000 <i>0.394</i>	12.000 <i>0.472</i>	6.000 <i>0.236</i>	18.00 <i>0.709</i>	1.00 <i>0.039</i>	+0.025/+0.083
# BF01000-01200-0070-W3	10.000 <i>0.394</i>	12.000 <i>0.472</i>	7.000 <i>0.276</i>	18.00 <i>0.709</i>	1.00 <i>0.039</i>	+0.025/+0.083

Indicates item not stocked at time of printing - Please enquire for lead time

E&OE Pricing and all details subject to change without notice - Copyright Miniature Bearings Australia Pty Ltd

MBA Size Listings are a guide to sizes only and must not be solely relied on for critical design information.

Bushes - Plastic - Iglidur W300 - Flanged

Part Number	Nom. ID (d) mm	Nom. OD (D) mm	Length (s) mm	Flange OD (D1) mm	Flange Thickness (s1) mm	Tolerance of ID after Pressfit
	<i>inches</i>	<i>inches</i>	<i>inches</i>	<i>inches</i>	<i>inches</i>	
# BF01000-01200-0090-W3	10.000 <i>0.394</i>	12.000 <i>0.472</i>	9.000 <i>0.354</i>	18.00 <i>0.709</i>	1.00 <i>0.039</i>	+0.025/+0.083
# BF01000-01200-0100-W3	10.000 <i>0.394</i>	12.000 <i>0.472</i>	10.000 <i>0.394</i>	18.00 <i>0.709</i>	1.00 <i>0.039</i>	+0.025/+0.083
BF01000-01200-0120-W3	10.000 <i>0.394</i>	12.000 <i>0.472</i>	12.000 <i>0.472</i>	18.00 <i>0.709</i>	1.00 <i>0.039</i>	+0.025/+0.083
# BF01000-01200-0150-W3	10.000 <i>0.394</i>	12.000 <i>0.472</i>	15.000 <i>0.591</i>	18.00 <i>0.709</i>	1.00 <i>0.039</i>	+0.025/+0.083
# BF01000-01200-0170-W3	10.000 <i>0.394</i>	12.000 <i>0.472</i>	17.000 <i>0.669</i>	18.00 <i>0.709</i>	1.00 <i>0.039</i>	+0.025/+0.083
# BF01111-01349-0127-W3	11.113 <i>0.438</i>	13.494 <i>0.531</i>	12.700 <i>0.500</i>	19.05 <i>0.750</i>	1.17 <i>0.046</i>	
# BF01200-01400-0040-W3	12.000 <i>0.472</i>	14.000 <i>0.551</i>	4.000 <i>0.157</i>	20.00 <i>0.787</i>	1.00 <i>0.039</i>	+0.032/+0.102
# BF01200-01400-0060-W3	12.000 <i>0.472</i>	14.000 <i>0.551</i>	6.000 <i>0.236</i>	20.00 <i>0.787</i>	1.00 <i>0.039</i>	+0.032/+0.102
# BF01200-01400-0070-W3	12.000 <i>0.472</i>	14.000 <i>0.551</i>	7.000 <i>0.276</i>	20.00 <i>0.787</i>	1.00 <i>0.039</i>	+0.032/+0.102
# BF01200-01400-0090-W3	12.000 <i>0.472</i>	14.000 <i>0.551</i>	9.000 <i>0.354</i>	20.00 <i>0.787</i>	1.00 <i>0.039</i>	+0.032/+0.102

Indicates item not stocked at time of printing - Please enquire for lead time

E&OE Pricing and all details subject to change without notice - Copyright Miniature Bearings Australia Pty Ltd

MBA Size Listings are a guide to sizes only and must not be solely relied on for critical design information.

Bushes - Plastic - Iglidur W300 - Flanged

Part Number	Nom. ID (d) mm	Nom. OD (D) mm	Length (s) mm	Flange OD (D1) mm	Flange Thickness (s1) mm	Tolerance of ID after Pressfit
	<i>inches</i>	<i>inches</i>	<i>inches</i>	<i>inches</i>	<i>inches</i>	
# BF01200-01400-0100-W3	12.000 <i>0.472</i>	14.000 <i>0.551</i>	10.000 <i>0.394</i>	20.00 <i>0.787</i>	1.00 <i>0.039</i>	+0.032/+0.102
# BF01200-01400-0110-W3	12.000 <i>0.472</i>	14.000 <i>0.551</i>	11.000 <i>0.433</i>	20.00 <i>0.787</i>	1.00 <i>0.039</i>	+0.032/+0.102
# BF01200-01400-0120-W3	12.000 <i>0.472</i>	14.000 <i>0.551</i>	12.000 <i>0.472</i>	20.00 <i>0.787</i>	1.00 <i>0.039</i>	+0.032/+0.102
# BF01200-01400-0150-W3	12.000 <i>0.472</i>	14.000 <i>0.551</i>	15.000 <i>0.591</i>	20.00 <i>0.787</i>	1.00 <i>0.039</i>	+0.032/+0.102
# BF01200-01400-0170-W3	12.000 <i>0.472</i>	14.000 <i>0.551</i>	17.000 <i>0.669</i>	20.00 <i>0.787</i>	1.00 <i>0.039</i>	+0.032/+0.102
# BF01200-01400-0200-W3	12.000 <i>0.472</i>	14.000 <i>0.551</i>	20.000 <i>0.787</i>	20.00 <i>0.787</i>	1.00 <i>0.039</i>	+0.032/+0.102
# BF01270-01508-0064-W3	12.700 <i>0.500</i>	15.081 <i>0.594</i>	6.350 <i>0.250</i>	22.23 <i>0.875</i>	1.17 <i>0.046</i>	
# BF01270-01508-0095-W3	12.700 <i>0.500</i>	15.081 <i>0.594</i>	9.525 <i>0.375</i>	22.23 <i>0.875</i>	1.17 <i>0.046</i>	
# BF01270-01508-0127-W3	12.700 <i>0.500</i>	15.081 <i>0.594</i>	12.700 <i>0.500</i>	22.23 <i>0.875</i>	1.17 <i>0.046</i>	
# BF01270-01508-0191-W3	12.700 <i>0.500</i>	15.081 <i>0.594</i>	19.050 <i>0.750</i>	22.23 <i>0.875</i>	1.17 <i>0.046</i>	

Indicates item not stocked at time of printing - Please enquire for lead time

E&OE Pricing and all details subject to change without notice - Copyright Miniature Bearings Australia Pty Ltd

MBA Size Listings are a guide to sizes only and must not be solely relied on for critical design information.

Bushes - Plastic - Iglidur W300 - Flanged

Part Number	Nom. ID (d) mm <i>inches</i>	Nom. OD (D) mm <i>inches</i>	Length (s) mm <i>inches</i>	Flange OD (D1) mm <i>inches</i>	Flange Thickness (s1) mm <i>inches</i>	Tolerance of ID after Pressfit
# BF01270-01508-0254-W3	12.700 <i>0.500</i>	15.081 <i>0.594</i>	25.400 <i>1.000</i>	22.23 <i>0.875</i>	1.17 <i>0.046</i>	
# BF01300-01500-0060-W3	13.000 <i>0.512</i>	15.000 <i>0.591</i>	6.000 <i>0.236</i>	22.00 <i>0.866</i>	1.00 <i>0.039</i>	+0.032/+0.102
# BF01400-01600-0040-W3	14.000 <i>0.551</i>	16.000 <i>0.630</i>	4.000 <i>0.157</i>	22.00 <i>0.866</i>	1.00 <i>0.039</i>	+0.032/+0.102
# BF01400-01600-0050-W3	14.000 <i>0.551</i>	16.000 <i>0.630</i>	5.000 <i>0.197</i>	22.00 <i>0.866</i>	1.00 <i>0.039</i>	+0.032/+0.102
# BF01400-01600-0080-W3	14.000 <i>0.551</i>	16.000 <i>0.630</i>	8.000 <i>0.315</i>	22.00 <i>0.866</i>	1.00 <i>0.039</i>	+0.032/+0.102
# BF01400-01600-0120-W3	14.000 <i>0.551</i>	16.000 <i>0.630</i>	12.000 <i>0.472</i>	22.00 <i>0.866</i>	1.00 <i>0.039</i>	+0.032/+0.102
# BF01400-01600-0170-W3	14.000 <i>0.551</i>	16.000 <i>0.630</i>	17.000 <i>0.669</i>	22.00 <i>0.866</i>	1.00 <i>0.039</i>	+0.032/+0.102
# BF01500-01700-0090-W3	15.000 <i>0.591</i>	17.000 <i>0.669</i>	9.000 <i>0.354</i>	23.00 <i>0.906</i>	1.00 <i>0.039</i>	+0.032/+0.102
# BF01500-01700-0120-W3	15.000 <i>0.591</i>	17.000 <i>0.669</i>	12.000 <i>0.472</i>	23.00 <i>0.906</i>	1.00 <i>0.039</i>	+0.032/+0.102
# BF01500-01700-0170-W3	15.000 <i>0.591</i>	17.000 <i>0.669</i>	17.000 <i>0.669</i>	23.00 <i>0.906</i>	1.00 <i>0.039</i>	+0.032/+0.102

Indicates item not stocked at time of printing - Please enquire for lead time

E&OE Pricing and all details subject to change without notice - Copyright Miniature Bearings Australia Pty Ltd

MBA Size Listings are a guide to sizes only and must not be solely relied on for critical design information.

Bushes - Plastic - Iglidur W300 - Flanged

Part Number	Nom. ID (d) mm	Nom. OD (D) mm	Length (s) mm	Flange OD (D1) mm	Flange Thickness (s1) mm	Tolerance of ID after Pressfit
	<i>inches</i>	<i>inches</i>	<i>inches</i>	<i>inches</i>	<i>inches</i>	
# BF01500-01700-0200-W3	15.000 <i>0.591</i>	17.000 <i>0.669</i>	20.000 <i>0.787</i>	23.00 <i>0.906</i>	1.00 <i>0.039</i>	+0.032/+0.102
# BF01588-01826-0071-W3	15.875 <i>0.625</i>	18.256 <i>0.719</i>	7.144 <i>0.281</i>	23.80 <i>0.937</i>	1.17 <i>0.046</i>	
# BF01588-01826-0127-W3	15.875 <i>0.625</i>	18.256 <i>0.719</i>	12.700 <i>0.500</i>	23.80 <i>0.937</i>	1.17 <i>0.046</i>	
# BF01588-01826-0191-W3	15.875 <i>0.625</i>	18.256 <i>0.719</i>	19.050 <i>0.750</i>	23.80 <i>0.937</i>	1.17 <i>0.046</i>	
# BF01588-01826-0254-W3	15.875 <i>0.625</i>	18.256 <i>0.719</i>	25.400 <i>1.000</i>	23.80 <i>0.937</i>	1.17 <i>0.046</i>	
# BF01588-01826-0381-W3	15.875 <i>0.625</i>	18.256 <i>0.719</i>	38.100 <i>1.500</i>	23.80 <i>0.937</i>	1.17 <i>0.046</i>	
# BF01600-01800-0120-W3	16.000 <i>0.630</i>	18.000 <i>0.709</i>	12.000 <i>0.472</i>	24.00 <i>0.945</i>	1.00 <i>0.039</i>	+0.032/+0.102
# BF01600-01800-0170-W3	16.000 <i>0.630</i>	18.000 <i>0.709</i>	17.000 <i>0.669</i>	24.00 <i>0.945</i>	1.00 <i>0.039</i>	+0.032/+0.102
# BF01700-01900-0180-W3	17.000 <i>0.669</i>	19.000 <i>0.748</i>	18.000 <i>0.709</i>	25.00 <i>0.984</i>	1.00 <i>0.039</i>	+0.032/+0.102
# BF01700-01900-0250-W3	17.000 <i>0.669</i>	19.000 <i>0.748</i>	25.000 <i>0.984</i>	25.00 <i>0.984</i>	1.00 <i>0.039</i>	+0.032/+0.102

Indicates item not stocked at time of printing - Please enquire for lead time

E&OE Pricing and all details subject to change without notice - Copyright Miniature Bearings Australia Pty Ltd

MBA Size Listings are a guide to sizes only and must not be solely relied on for critical design information.

Bushes - Plastic - Iglidur W300 - Flanged

Part Number	Nom. ID (d) mm	Nom. OD (D) mm	Length (s) mm	Flange OD (D1) mm	Flange Thickness (s1) mm	Tolerance of ID after Pressfit
	<i>inches</i>	<i>inches</i>	<i>inches</i>	<i>inches</i>	<i>inches</i>	
# BF01800-02000-0120-W3	18.000 <i>0.709</i>	20.000 <i>0.787</i>	12.000 <i>0.472</i>	26.00 <i>1.024</i>	1.00 <i>0.039</i>	+0.032/+0.102
# BF01800-02000-0170-W3	18.000 <i>0.709</i>	20.000 <i>0.787</i>	17.000 <i>0.669</i>	26.00 <i>1.024</i>	1.00 <i>0.039</i>	+0.032/+0.102
# BF01800-02000-0220-W3	18.000 <i>0.709</i>	20.000 <i>0.787</i>	22.000 <i>0.866</i>	26.00 <i>1.024</i>	1.00 <i>0.039</i>	+0.032/+0.102
# BF01905-02223-0127-W3	19.050 <i>0.750</i>	22.225 <i>0.875</i>	12.700 <i>0.500</i>	28.58 <i>1.125</i>	1.58 <i>0.062</i>	
# BF01905-02223-0159-W3	19.050 <i>0.750</i>	22.225 <i>0.875</i>	15.875 <i>0.625</i>	28.58 <i>1.125</i>	1.58 <i>0.062</i>	
# BF01905-02223-0191-W3	19.050 <i>0.750</i>	22.225 <i>0.875</i>	19.050 <i>0.750</i>	28.58 <i>1.125</i>	1.58 <i>0.062</i>	
# BF01905-02223-0254-W3	19.050 <i>0.750</i>	22.225 <i>0.875</i>	25.400 <i>1.000</i>	28.58 <i>1.125</i>	1.58 <i>0.062</i>	
# BF01905-02223-0381-W3	19.050 <i>0.750</i>	22.225 <i>0.875</i>	38.100 <i>1.500</i>	28.58 <i>1.125</i>	1.58 <i>0.062</i>	
# BF02000-02300-0110-W3	20.000 <i>0.787</i>	23.000 <i>0.906</i>	11.000 <i>0.433</i>	23.00 <i>0.906</i>	1.00 <i>0.039</i>	+0.040/+0.124
# BF02000-02300-0140-W3	20.000 <i>0.787</i>	23.000 <i>0.906</i>	14.000 <i>0.551</i>	30.00 <i>1.181</i>	1.00 <i>0.039</i>	+0.040/+0.124

Indicates item not stocked at time of printing - Please enquire for lead time

E&OE Pricing and all details subject to change without notice - Copyright Miniature Bearings Australia Pty Ltd

MBA Size Listings are a guide to sizes only and must not be solely relied on for critical design information.

Bushes - Plastic - Iglidur W300 - Flanged

Part Number	Nom. ID (d) mm	Nom. OD (D) mm	Length (s) mm	Flange OD (D1) mm	Flange Thickness (s1) mm	Tolerance of ID after Pressfit
	<i>inches</i>	<i>inches</i>	<i>inches</i>	<i>inches</i>	<i>inches</i>	
# BF02000-02300-0160-W3	20.000 <i>0.787</i>	23.000 <i>0.906</i>	16.000 <i>0.630</i>	30.00 <i>1.181</i>	1.00 <i>0.039</i>	+0.040/+0.124
# BF02000-02300-0210-W3	20.000 <i>0.787</i>	23.000 <i>0.906</i>	21.000 <i>0.827</i>	30.00 <i>1.181</i>	1.00 <i>0.039</i>	+0.040/+0.124
# BF02223-02540-0064-W3	22.225 <i>0.875</i>	25.400 <i>1.000</i>	6.350 <i>0.250</i>	31.75 <i>1.250</i>	1.58 <i>0.062</i>	
# BF02223-02540-0095-W3	22.225 <i>0.875</i>	25.400 <i>1.000</i>	9.525 <i>0.375</i>	28.58 <i>1.125</i>	1.58 <i>0.062</i>	
# BF02223-02540-0119-W3	22.225 <i>0.875</i>	25.400 <i>1.000</i>	11.906 <i>0.469</i>	31.75 <i>1.250</i>	1.58 <i>0.062</i>	
# BF02223-02540-0127-W3	22.225 <i>0.875</i>	25.400 <i>1.000</i>	12.700 <i>0.500</i>	31.75 <i>1.250</i>	1.58 <i>0.062</i>	
# BF02223-02540-0175-W3	22.225 <i>0.875</i>	25.400 <i>1.000</i>	17.463 <i>0.688</i>	31.75 <i>1.250</i>	1.58 <i>0.062</i>	
# BF02223-02540-0183-W3	22.225 <i>0.875</i>	25.400 <i>1.000</i>	18.256 <i>0.719</i>	31.75 <i>1.250</i>	1.58 <i>0.062</i>	
# BF02223-02540-0191-W3	22.225 <i>0.875</i>	25.400 <i>1.000</i>	19.050 <i>0.750</i>	31.75 <i>1.250</i>	1.58 <i>0.062</i>	
# BF02223-02540-0254-W3	22.225 <i>0.875</i>	25.400 <i>1.000</i>	25.400 <i>1.000</i>	31.75 <i>1.250</i>	1.58 <i>0.062</i>	

Indicates item not stocked at time of printing - Please enquire for lead time

E&OE Pricing and all details subject to change without notice - Copyright Miniature Bearings Australia Pty Ltd

MBA Size Listings are a guide to sizes only and must not be solely relied on for critical design information.

Bushes - Plastic - Iglidur W300 - Flanged

Part Number	Nom. ID (d) mm	Nom. OD (D) mm	Length (s) mm	Flange OD (D1) mm	Flange Thickness (s1) mm	Tolerance of ID after Pressfit
	<i>inches</i>	<i>inches</i>	<i>inches</i>	<i>inches</i>	<i>inches</i>	
# BF02223-02540-0318-W3	22.225 <i>0.875</i>	25.400 <i>1.000</i>	31.750 <i>1.250</i>	31.75 <i>1.250</i>	1.58 <i>0.062</i>	
# BF02223-02540-0381-W3	22.225 <i>0.875</i>	25.400 <i>1.000</i>	38.100 <i>1.500</i>	31.75 <i>1.250</i>	1.58 <i>0.062</i>	
# BF02400-02700-0100-W3	24.000 <i>0.945</i>	27.000 <i>1.063</i>	10.000 <i>0.394</i>	32.00 <i>1.260</i>	1.50 <i>0.059</i>	+0.040/+0.124
# BF02500-02800-0110-W3	25.000 <i>0.984</i>	28.000 <i>1.102</i>	11.000 <i>0.433</i>	35.00 <i>1.378</i>	1.50 <i>0.059</i>	+0.040/+0.124
# BF02500-02800-0130-W3	25.000 <i>0.984</i>	28.000 <i>1.102</i>	13.000 <i>0.512</i>	31.00 <i>1.220</i>	1.50 <i>0.059</i>	+0.040/+0.124
# BF02500-02800-0140-W3	25.000 <i>0.984</i>	28.000 <i>1.102</i>	14.000 <i>0.551</i>	35.00 <i>1.378</i>	1.50 <i>0.059</i>	+0.040/+0.124
# BF02500-02800-0160-W3	25.000 <i>0.984</i>	28.000 <i>1.102</i>	16.000 <i>0.630</i>	35.00 <i>1.378</i>	1.50 <i>0.059</i>	+0.040/+0.124
# BF02500-02800-0210-W3	25.000 <i>0.984</i>	28.000 <i>1.102</i>	21.000 <i>0.827</i>	35.00 <i>1.378</i>	1.50 <i>0.059</i>	+0.040/+0.124
# BF02500-02800-0300-W3	25.000 <i>0.984</i>	28.000 <i>1.102</i>	30.000 <i>1.181</i>	35.00 <i>1.378</i>	1.50 <i>0.059</i>	+0.040/+0.124
# BF02540-02858-0127-W3	25.400 <i>1.000</i>	28.575 <i>1.125</i>	12.700 <i>0.500</i>	34.93 <i>1.375</i>	1.58 <i>0.062</i>	

Indicates item not stocked at time of printing - Please enquire for lead time

E&OE Pricing and all details subject to change without notice - Copyright Miniature Bearings Australia Pty Ltd

MBA Size Listings are a guide to sizes only and must not be solely relied on for critical design information.

Bushes - Plastic - Iglidur W300 - Flanged

Part Number	Nom. ID (d) mm <i>inches</i>	Nom. OD (D) mm <i>inches</i>	Length (s) mm <i>inches</i>	Flange OD (D1) mm <i>inches</i>	Flange Thickness (s1) mm <i>inches</i>	Tolerance of ID after Pressfit
# BF02540-02858-0191-W3	25.400 <i>1.000</i>	28.575 <i>1.125</i>	19.050 <i>0.750</i>	34.93 <i>1.375</i>	1.58 <i>0.062</i>	
# BF02540-02858-0254-W3	25.400 <i>1.000</i>	28.575 <i>1.125</i>	25.400 <i>1.000</i>	34.93 <i>1.375</i>	1.58 <i>0.062</i>	
# BF02540-02858-0318-W3	25.400 <i>1.000</i>	28.575 <i>1.125</i>	31.750 <i>1.250</i>	34.93 <i>1.375</i>	1.58 <i>0.062</i>	
# BF02540-02858-0381-W3	25.400 <i>1.000</i>	28.575 <i>1.125</i>	38.100 <i>1.500</i>	34.93 <i>1.375</i>	1.58 <i>0.062</i>	
# BF02800-03000-0360-W3	28.000 <i>1.102</i>	30.000 <i>1.181</i>	36.000 <i>1.417</i>	35.00 <i>1.378</i>	1.00 <i>0.039</i>	+0.040/+0.124
# BF02858-03254-0127-W3	28.575 <i>1.125</i>	32.544 <i>1.281</i>	12.700 <i>0.500</i>	39.68 <i>1.562</i>	1.98 <i>0.078</i>	
# BF02858-03254-0191-W3	28.575 <i>1.125</i>	32.544 <i>1.281</i>	19.050 <i>0.750</i>	39.68 <i>1.562</i>	1.98 <i>0.078</i>	
# BF02858-03254-0381-W3	28.575 <i>1.125</i>	32.544 <i>1.281</i>	38.100 <i>1.500</i>	39.68 <i>1.562</i>	1.98 <i>0.078</i>	
# BF03000-03400-0100-W3	30.000 <i>1.181</i>	34.000 <i>1.339</i>	10.000 <i>0.394</i>	42.00 <i>1.654</i>	2.00 <i>0.079</i>	+0.040/+0.124
# BF03000-03400-0160-W3	30.000 <i>1.181</i>	34.000 <i>1.339</i>	16.000 <i>0.630</i>	42.00 <i>1.654</i>	2.00 <i>0.079</i>	+0.040/+0.124

Indicates item not stocked at time of printing - Please enquire for lead time

E&OE Pricing and all details subject to change without notice - Copyright Miniature Bearings Australia Pty Ltd

MBA Size Listings are a guide to sizes only and must not be solely relied on for critical design information.

Bushes - Plastic - Iglidur W300 - Flanged

Part Number	Nom. ID (d) mm	Nom. OD (D) mm	Length (s) mm	Flange OD (D1) mm	Flange Thickness (s1) mm	Tolerance of ID after Pressfit
	<i>inches</i>	<i>inches</i>	<i>inches</i>	<i>inches</i>	<i>inches</i>	
# BF03000-03400-0260-W3	30.000 <i>1.181</i>	34.000 <i>1.339</i>	26.000 <i>1.024</i>	42.00 <i>1.654</i>	2.00 <i>0.079</i>	+0.040/+0.124
# BF03000-03400-0370-W3	30.000 <i>1.181</i>	34.000 <i>1.339</i>	37.000 <i>1.457</i>	42.00 <i>1.654</i>	2.00 <i>0.079</i>	+0.040/+0.124
# BF03175-03572-0191-W3	31.750 <i>1.250</i>	35.719 <i>1.406</i>	19.050 <i>0.750</i>	42.85 <i>1.687</i>	1.98 <i>0.078</i>	
# BF03175-03572-0222-W3	31.750 <i>1.250</i>	35.719 <i>1.406</i>	22.225 <i>0.875</i>	42.85 <i>1.687</i>	1.98 <i>0.078</i>	
# BF03175-03572-0254-W3	31.750 <i>1.250</i>	35.719 <i>1.406</i>	25.400 <i>1.000</i>	42.85 <i>1.687</i>	1.98 <i>0.078</i>	
# BF03175-03572-0318-W3	31.750 <i>1.250</i>	35.719 <i>1.406</i>	31.750 <i>1.250</i>	42.85 <i>1.687</i>	1.98 <i>0.078</i>	
# BF03175-03572-0381-W3	31.750 <i>1.250</i>	35.719 <i>1.406</i>	38.100 <i>1.500</i>	42.85 <i>1.687</i>	1.98 <i>0.078</i>	
# BF03200-03600-0160-W3	32.000 <i>1.260</i>	36.000 <i>1.417</i>	16.000 <i>0.630</i>	40.00 <i>1.575</i>	2.00 <i>0.079</i>	+0.050/+0.150
# BF03200-03600-0260-W3	32.000 <i>1.260</i>	36.000 <i>1.417</i>	26.000 <i>1.024</i>	40.00 <i>1.575</i>	2.00 <i>0.079</i>	+0.050/+0.150
# BF03493-03889-0254-W3	34.925 <i>1.375</i>	38.894 <i>1.531</i>	25.400 <i>1.000</i>	47.63 <i>1.875</i>	1.98 <i>0.078</i>	

Indicates item not stocked at time of printing - Please enquire for lead time

E&OE Pricing and all details subject to change without notice - Copyright Miniature Bearings Australia Pty Ltd

MBA Size Listings are a guide to sizes only and must not be solely relied on for critical design information.

Bushes - Plastic - Iglidur W300 - Flanged

Part Number	Nom. ID (d) mm	Nom. OD (D) mm	Length (s) mm	Flange OD (D1) mm	Flange Thickness (s1) mm	Tolerance of ID after Pressfit
	<i>inches</i>	<i>inches</i>	<i>inches</i>	<i>inches</i>	<i>inches</i>	
# BF03500-03900-0160-W3	35.000 <i>1.378</i>	39.000 <i>1.535</i>	16.000 <i>0.630</i>	47.00 <i>1.850</i>	2.00 <i>0.079</i>	+0.050/+0.150
# BF03500-03900-0260-W3	35.000 <i>1.378</i>	39.000 <i>1.535</i>	26.000 <i>1.024</i>	47.00 <i>1.850</i>	2.00 <i>0.079</i>	+0.050/+0.150
# BF03500-03900-0350-W3	35.000 <i>1.378</i>	39.000 <i>1.535</i>	35.000 <i>1.378</i>	50.00 <i>1.969</i>	2.00 <i>0.079</i>	+0.050/+0.150
# BF03800-04200-0220-W3	38.000 <i>1.496</i>	42.000 <i>1.654</i>	22.000 <i>0.866</i>	50.00 <i>1.969</i>	2.00 <i>0.079</i>	+0.050/+0.150
# BF03810-04207-0191-W3	38.100 <i>1.500</i>	42.069 <i>1.656</i>	19.050 <i>0.750</i>	50.80 <i>2.000</i>	1.98 <i>0.078</i>	
# BF03810-04207-0254-W3	38.100 <i>1.500</i>	42.069 <i>1.656</i>	25.400 <i>1.000</i>	50.80 <i>2.000</i>	1.98 <i>0.078</i>	
# BF03810-04207-0381-W3	38.100 <i>1.500</i>	42.069 <i>1.656</i>	38.100 <i>1.500</i>	50.80 <i>2.000</i>	1.98 <i>0.078</i>	
# BF04000-04400-0300-W3	40.000 <i>1.575</i>	44.000 <i>1.732</i>	30.000 <i>1.181</i>	52.00 <i>2.047</i>	2.00 <i>0.079</i>	+0.050/+0.150
# BF04000-04400-0400-W3	40.000 <i>1.575</i>	44.000 <i>1.732</i>	40.000 <i>1.575</i>	52.00 <i>2.047</i>	2.00 <i>0.079</i>	+0.050/+0.150
# BF04445-04921-0254-W3	44.450 <i>1.750</i>	49.213 <i>1.938</i>	25.400 <i>1.000</i>	60.33 <i>2.375</i>	2.36 <i>0.093</i>	

Indicates item not stocked at time of printing - Please enquire for lead time

E&OE Pricing and all details subject to change without notice - Copyright Miniature Bearings Australia Pty Ltd

MBA Size Listings are a guide to sizes only and must not be solely relied on for critical design information.

Bushes - Plastic - Iglidur W300 - Flanged

Part Number	Nom. ID (d) mm	Nom. OD (D) mm	Length (s) mm	Flange OD (D1) mm	Flange Thickness (s1) mm	Tolerance of ID after Pressfit
	<i>inches</i>	<i>inches</i>	<i>inches</i>	<i>inches</i>	<i>inches</i>	
# BF04445-04921-0381-W3	44.450 <i>1.750</i>	49.213 <i>1.938</i>	38.100 <i>1.500</i>	60.33 <i>2.375</i>	2.36 <i>0.093</i>	
# BF04445-04921-0508-W3	44.450 <i>1.750</i>	49.213 <i>1.938</i>	50.800 <i>2.000</i>	60.33 <i>2.375</i>	2.36 <i>0.093</i>	
# BF04500-05000-0500-W3	45.000 <i>1.772</i>	50.000 <i>1.969</i>	50.000 <i>1.969</i>	58.00 <i>2.283</i>	2.00 <i>0.079</i>	+0.050/+0.150
# BF05000-05500-0400-W3	50.000 <i>1.969</i>	55.000 <i>2.165</i>	40.000 <i>1.575</i>	63.00 <i>2.480</i>	2.00 <i>0.079</i>	+0.050/+0.150
# BF05000-05500-0500-W3	50.000 <i>1.969</i>	55.000 <i>2.165</i>	50.000 <i>1.969</i>	63.00 <i>2.480</i>	2.00 <i>0.079</i>	+0.050/+0.150
# BF05080-05556-0254-W3	50.800 <i>2.000</i>	55.563 <i>2.188</i>	25.400 <i>1.000</i>	66.68 <i>2.625</i>	2.36 <i>0.093</i>	
# BF05080-05556-0381-W3	50.800 <i>2.000</i>	55.563 <i>2.188</i>	38.100 <i>1.500</i>	66.68 <i>2.625</i>	2.36 <i>0.093</i>	
# BF05080-05556-0508-W3	50.800 <i>2.000</i>	55.563 <i>2.188</i>	50.800 <i>2.000</i>	66.68 <i>2.625</i>	2.36 <i>0.093</i>	
# BF05500-06000-0600-W3	55.000 <i>2.165</i>	60.000 <i>2.362</i>	60.000 <i>2.362</i>	68.00 <i>2.677</i>	2.00 <i>0.079</i>	+0.060/+0.180
# BF05700-06200-0400-W3	57.000 <i>2.244</i>	62.000 <i>2.441</i>	40.000 <i>1.575</i>	67.00 <i>2.638</i>	2.00 <i>0.079</i>	+0.060/+0.180

Indicates item not stocked at time of printing - Please enquire for lead time

E&OE Pricing and all details subject to change without notice - Copyright Miniature Bearings Australia Pty Ltd

MBA Size Listings are a guide to sizes only and must not be solely relied on for critical design information.

Bushes - Plastic - Iglidur W300 - Flanged

Part Number	Nom. ID (d) mm	Nom. OD (D) mm	Length (s) mm	Flange OD (D1) mm	Flange Thickness (s1) mm	Tolerance of ID after Pressfit
	<i>inches</i>	<i>inches</i>	<i>inches</i>	<i>inches</i>	<i>inches</i>	
# BF06000-06500-0600-W3	60.000 <i>2.362</i>	65.000 <i>2.559</i>	60.000 <i>2.362</i>	73.00 <i>2.874</i>	2.00 <i>0.079</i>	+0.060/+0.180
# BF06500-07000-0600-W3	65.000 <i>2.559</i>	70.000 <i>2.756</i>	60.000 <i>2.362</i>	78.00 <i>3.071</i>	2.00 <i>0.079</i>	+0.060/+0.180
# BF07000-07500-1000-W3	70.000 <i>2.756</i>	75.000 <i>2.953</i>	100.000 <i>3.937</i>	83.00 <i>3.268</i>	2.00 <i>0.079</i>	+0.060/+0.180
# BF08000-08500-1000-W3	80.000 <i>3.150</i>	85.000 <i>3.346</i>	100.000 <i>3.937</i>	93.00 <i>3.661</i>	2.50 <i>0.098</i>	+0.060/+0.180
# BF10000-10500-1000-W3	100.000 <i>3.937</i>	105.000 <i>4.134</i>	100.000 <i>3.937</i>	113.00 <i>4.449</i>	2.50 <i>0.098</i>	+0.072/+0.212
# BF12000-12500-1000-W3	120.000 <i>4.724</i>	125.000 <i>4.921</i>	100.000 <i>3.937</i>	133.00 <i>5.236</i>	2.50 <i>0.098</i>	+0.072/+0.212

Indicates item not stocked at time of printing - Please enquire for lead time

E&OE Pricing and all details subject to change without notice - Copyright Miniature Bearings Australia Pty Ltd

MBA Size Listings are a guide to sizes only and must not be solely relied on for critical design information.



DISTRIBUTED BY

Ask us to put your name and address here

<http://www.minibearings.com.au/product>

Ph +61 7 3245 7977

Fax +61 7 3245 1017

Catalogue requests to catalogues@minibearings.com.au
