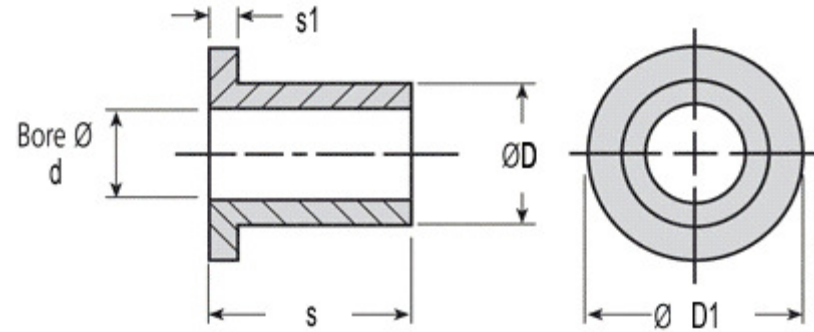




MBA

Bushes - Plastic - Iglidur X - Flanged



Very high temperature. Extreme chemical resistance. High compressive strength.
Low water absorption.

Specific Gravity 1.44 g/cm3.

Operating Temp 315 C short term / 250 C long term.

Tensile Strength at 20 deg C = 170 Mpa.

Hardness 85 Shore D (DIN53505).

Tolerances listed are after H7 Pressfit.

Bushes - Plastic - Iglidur X - Flanged

| Part Number | Nom. ID (d) mm | Nom. OD (D) mm | Length (s) mm | Flange OD (D1) mm | Flange Thickness (s1) mm | Tolerance of ID after Pressfit |
|------------------------|-----------------------|-----------------------|-----------------------|----------------------|--------------------------|--------------------------------|
| | <i>inches</i> | <i>inches</i> | <i>inches</i> | <i>inches</i> | <i>inches</i> | |
| # BF00300-00450-0050-X | 3.000 <i>0.118</i> | 4.500 <i>0.177</i> | 5.000 <i>0.197</i> | 7.50 <i>0.295</i> | 0.75 <i>0.030</i> | +0.006/+0.046 |
| # BF00318-00476-0048-X | 3.175 <i>0.125</i> | 4.763 <i>0.188</i> | 4.763 <i>0.188</i> | 7.95 <i>0.313</i> | 0.81 <i>0.032</i> | |
| # BF00318-00476-0095-X | 3.175 <i>0.125</i> | 4.763 <i>0.188</i> | 9.525 <i>0.375</i> | 7.95 <i>0.313</i> | 0.81 <i>0.032</i> | |

Indicates item not stocked at time of printing - Please enquire for lead time
E&OE Pricing and all details subject to change without notice - Copyright Miniature Bearings Australia Pty Ltd
MBA Size Listings are a guide to sizes only and must not be solely relied on for critical design information.

Bushes - Plastic - Iglidur X - Flanged

| Part Number | Nom. ID (d) mm | Nom. OD (D) mm | Length (s) mm | Flange OD (D1) mm | Flange Thickness (s1) mm | Tolerance of ID after Pressfit |
|------------------------|-----------------------|-----------------------|------------------------|-----------------------|--------------------------|--------------------------------|
| | <i>inches</i> | <i>inches</i> | <i>inches</i> | <i>inches</i> | <i>inches</i> | |
| # BF00400-00550-0040-X | 4.000 <i>0.157</i> | 5.500 <i>0.217</i> | 4.000 <i>0.157</i> | 9.50 <i>0.374</i> | 0.75 <i>0.030</i> | +0.010/+0.058 |
| # BF00400-00550-0060-X | 4.000 <i>0.157</i> | 5.500 <i>0.217</i> | 6.000 <i>0.236</i> | 9.50 <i>0.374</i> | 0.75 <i>0.030</i> | +0.010/+0.058 |
| # BF00476-00635-0064-X | 4.763 <i>0.188</i> | 6.350 <i>0.250</i> | 6.350 <i>0.250</i> | 9.53 <i>0.375</i> | 0.81 <i>0.032</i> | |
| # BF00476-00635-0095-X | 4.763 <i>0.188</i> | 6.350 <i>0.250</i> | 9.525 <i>0.375</i> | 9.53 <i>0.375</i> | 0.81 <i>0.032</i> | |
| # BF00476-00635-0127-X | 4.763 <i>0.188</i> | 6.350 <i>0.250</i> | 12.700 <i>0.500</i> | 9.53 <i>0.375</i> | 0.81 <i>0.032</i> | |
| # BF00500-00700-0050-X | 5.000 <i>0.197</i> | 7.000 <i>0.276</i> | 5.000 <i>0.197</i> | 11.00 <i>0.433</i> | 1.00 <i>0.039</i> | +0.010/+0.058 |
| # BF00600-00800-0080-X | 6.000 <i>0.236</i> | 8.000 <i>0.315</i> | 8.000 <i>0.315</i> | 12.00 <i>0.472</i> | 1.00 <i>0.039</i> | +0.010/+0.058 |
| # BF00600-00800-0100-X | 6.000 <i>0.236</i> | 8.000 <i>0.315</i> | 10.000 <i>0.394</i> | 12.00 <i>0.472</i> | 1.00 <i>0.039</i> | +0.010/+0.058 |
| # BF00635-00794-0048-X | 6.350 <i>0.250</i> | 7.938 <i>0.313</i> | 4.763 <i>0.188</i> | 12.70 <i>0.500</i> | 0.81 <i>0.032</i> | |
| # BF00635-00794-0064-X | 6.350 <i>0.250</i> | 7.938 <i>0.313</i> | 6.350 <i>0.250</i> | 12.70 <i>0.500</i> | 0.81 <i>0.032</i> | |

Indicates item not stocked at time of printing - Please enquire for lead time

E&OE Pricing and all details subject to change without notice - Copyright Miniature Bearings Australia Pty Ltd

MBA Size Listings are a guide to sizes only and must not be solely relied on for critical design information.

Bushes - Plastic - Iglidur X - Flanged

| Part Number | Nom. ID (d) mm | Nom. OD (D) mm | Length (s) mm | Flange OD (D1) mm | Flange Thickness (s1) mm | Tolerance of ID after Pressfit |
|------------------------|-----------------------|------------------------|------------------------|-----------------------|--------------------------|--------------------------------|
| | <i>inches</i> | <i>inches</i> | <i>inches</i> | <i>inches</i> | <i>inches</i> | |
| # BF00635-00794-0095-X | 6.350 <i>0.250</i> | 7.938 <i>0.313</i> | 9.525 <i>0.375</i> | 12.70 <i>0.500</i> | 0.81 <i>0.032</i> | |
| # BF00635-00794-0127-X | 6.350 <i>0.250</i> | 7.938 <i>0.313</i> | 12.700 <i>0.500</i> | 12.70 <i>0.500</i> | 0.81 <i>0.032</i> | |
| # BF00635-00794-0191-X | 6.350 <i>0.250</i> | 7.938 <i>0.313</i> | 19.050 <i>0.750</i> | 12.70 <i>0.500</i> | 0.81 <i>0.032</i> | |
| # BF00794-00953-0064-X | 7.938 <i>0.313</i> | 9.525 <i>0.375</i> | 6.350 <i>0.250</i> | 13.01 <i>0.512</i> | 0.81 <i>0.032</i> | |
| # BF00794-00953-0095-X | 7.938 <i>0.313</i> | 9.525 <i>0.375</i> | 9.525 <i>0.375</i> | 13.01 <i>0.512</i> | 0.81 <i>0.032</i> | |
| # BF00794-00953-0127-X | 7.938 <i>0.313</i> | 9.525 <i>0.375</i> | 12.700 <i>0.500</i> | 13.01 <i>0.512</i> | 0.81 <i>0.032</i> | |
| # BF00800-01000-0075-X | 8.000 <i>0.315</i> | 10.000 <i>0.394</i> | 7.500 <i>0.295</i> | 15.00 <i>0.591</i> | 1.00 <i>0.039</i> | +0.013/+0.071 |
| # BF00800-01000-0090-X | 8.000 <i>0.315</i> | 10.000 <i>0.394</i> | 9.000 <i>0.354</i> | 15.00 <i>0.591</i> | 1.00 <i>0.039</i> | +0.013/+0.071 |
| # BF00953-01191-0064-X | 9.525 <i>0.375</i> | 11.906 <i>0.469</i> | 6.350 <i>0.250</i> | 17.45 <i>0.687</i> | 1.17 <i>0.046</i> | |
| # BF00953-01191-0095-X | 9.525 <i>0.375</i> | 11.906 <i>0.469</i> | 9.525 <i>0.375</i> | 17.45 <i>0.687</i> | 1.17 <i>0.046</i> | |

Indicates item not stocked at time of printing - Please enquire for lead time

E&OE Pricing and all details subject to change without notice - Copyright Miniature Bearings Australia Pty Ltd

MBA Size Listings are a guide to sizes only and must not be solely relied on for critical design information.

Bushes - Plastic - Iglidur X - Flanged

| Part Number | Nom. ID (d) mm | Nom. OD (D) mm | Length (s) mm | Flange OD (D1) mm | Flange Thickness (s1) mm | Tolerance of ID after Pressfit |
|------------------------|------------------------|------------------------|------------------------|-----------------------|--------------------------|--------------------------------|
| | <i>inches</i> | <i>inches</i> | <i>inches</i> | <i>inches</i> | <i>inches</i> | |
| # BF00953-01191-0127-X | 9.525 <i>0.375</i> | 11.906 <i>0.469</i> | 12.700 <i>0.500</i> | 17.45 <i>0.687</i> | 1.17 <i>0.046</i> | |
| # BF00953-01191-0191-X | 9.525 <i>0.375</i> | 11.906 <i>0.469</i> | 19.050 <i>0.750</i> | 17.45 <i>0.687</i> | 1.17 <i>0.046</i> | |
| # BF01000-01200-0060-X | 10.000 <i>0.394</i> | 12.000 <i>0.472</i> | 6.000 <i>0.236</i> | 18.00 <i>0.709</i> | 1.00 <i>0.039</i> | +0.013/+0.071 |
| # BF01000-01200-0080-X | 10.000 <i>0.394</i> | 12.000 <i>0.472</i> | 8.000 <i>0.315</i> | 15.00 <i>0.591</i> | 1.00 <i>0.039</i> | +0.013/+0.071 |
| # BF01000-01200-0090-X | 10.000 <i>0.394</i> | 12.000 <i>0.472</i> | 9.000 <i>0.354</i> | 18.00 <i>0.709</i> | 1.00 <i>0.039</i> | +0.013/+0.071 |
| BF01000-01200-0150-X | 10.000 <i>0.394</i> | 12.000 <i>0.472</i> | 15.000 <i>0.591</i> | 18.00 <i>0.709</i> | 1.00 <i>0.039</i> | +0.013/+0.071 |
| # BF01000-01200-0180-X | 10.000 <i>0.394</i> | 12.000 <i>0.472</i> | 18.000 <i>0.709</i> | 18.00 <i>0.709</i> | 1.00 <i>0.039</i> | +0.013/+0.071 |
| # BF01111-01349-0127-X | 11.113 <i>0.438</i> | 13.494 <i>0.531</i> | 12.700 <i>0.500</i> | 19.05 <i>0.750</i> | 1.17 <i>0.046</i> | |
| # BF01200-01400-0090-X | 12.000 <i>0.472</i> | 14.000 <i>0.551</i> | 9.000 <i>0.354</i> | 20.00 <i>0.787</i> | 1.00 <i>0.039</i> | +0.016/+0.086 |
| # BF01200-01400-0120-X | 12.000 <i>0.472</i> | 14.000 <i>0.551</i> | 12.000 <i>0.472</i> | 20.00 <i>0.787</i> | 1.00 <i>0.039</i> | +0.016/+0.086 |

Indicates item not stocked at time of printing - Please enquire for lead time

E&OE Pricing and all details subject to change without notice - Copyright Miniature Bearings Australia Pty Ltd

MBA Size Listings are a guide to sizes only and must not be solely relied on for critical design information.

Bushes - Plastic - Iglidur X - Flanged

| Part Number | Nom. ID (d) mm | Nom. OD (D) mm | Length (s) mm | Flange OD (D1) mm | Flange Thickness (s1) mm | Tolerance of ID after Pressfit |
|------------------------|------------------------|------------------------|------------------------|-----------------------|--------------------------|--------------------------------|
| | <i>inches</i> | <i>inches</i> | <i>inches</i> | <i>inches</i> | <i>inches</i> | |
| # BF01200-01400-0150-X | 12.000 <i>0.472</i> | 14.000 <i>0.551</i> | 15.000 <i>0.591</i> | 20.00 <i>0.787</i> | 1.00 <i>0.039</i> | +0.016/+0.086 |
| # BF01270-01508-0064-X | 12.700 <i>0.500</i> | 15.081 <i>0.594</i> | 6.350 <i>0.250</i> | 22.23 <i>0.875</i> | 1.17 <i>0.046</i> | |
| # BF01270-01508-0095-X | 12.700 <i>0.500</i> | 15.081 <i>0.594</i> | 9.525 <i>0.375</i> | 22.23 <i>0.875</i> | 1.17 <i>0.046</i> | |
| # BF01270-01508-0127-X | 12.700 <i>0.500</i> | 15.081 <i>0.594</i> | 12.700 <i>0.500</i> | 22.23 <i>0.875</i> | 1.17 <i>0.046</i> | |
| # BF01270-01508-0191-X | 12.700 <i>0.500</i> | 15.081 <i>0.594</i> | 19.050 <i>0.750</i> | 22.23 <i>0.875</i> | 1.17 <i>0.046</i> | |
| # BF01270-01508-0254-X | 12.700 <i>0.500</i> | 15.081 <i>0.594</i> | 25.400 <i>1.000</i> | 22.23 <i>0.875</i> | 1.17 <i>0.046</i> | |
| # BF01400-01600-0120-X | 14.000 <i>0.551</i> | 16.000 <i>0.630</i> | 12.000 <i>0.472</i> | 22.00 <i>0.866</i> | 1.00 <i>0.039</i> | +0.016/+0.086 |
| # BF01400-01600-0170-X | 14.000 <i>0.551</i> | 16.000 <i>0.630</i> | 17.000 <i>0.669</i> | 22.00 <i>0.866</i> | 1.00 <i>0.039</i> | +0.016/+0.086 |
| # BF01500-01700-0120-X | 15.000 <i>0.591</i> | 17.000 <i>0.669</i> | 12.000 <i>0.472</i> | 23.00 <i>0.906</i> | 1.00 <i>0.039</i> | +0.016/+0.086 |
| # BF01500-01700-0170-X | 15.000 <i>0.591</i> | 17.000 <i>0.669</i> | 17.000 <i>0.669</i> | 23.00 <i>0.906</i> | 1.00 <i>0.039</i> | +0.016/+0.086 |

Indicates item not stocked at time of printing - Please enquire for lead time

E&OE Pricing and all details subject to change without notice - Copyright Miniature Bearings Australia Pty Ltd

MBA Size Listings are a guide to sizes only and must not be solely relied on for critical design information.

Bushes - Plastic - Iglidur X - Flanged

| Part Number | Nom. ID (d) mm | Nom. OD (D) mm | Length (s) mm | Flange OD (D1) mm | Flange Thickness (s1) mm | Tolerance of ID after Pressfit |
|------------------------|------------------------|------------------------|------------------------|-----------------------|--------------------------|--------------------------------|
| | <i>inches</i> | <i>inches</i> | <i>inches</i> | <i>inches</i> | <i>inches</i> | |
| # BF01588-01826-0127-X | 15.875 <i>0.625</i> | 18.256 <i>0.719</i> | 12.700 <i>0.500</i> | 23.80 <i>0.937</i> | 1.58 <i>0.062</i> | |
| # BF01588-01826-0191-X | 15.875 <i>0.625</i> | 18.256 <i>0.719</i> | 19.050 <i>0.750</i> | 23.80 <i>0.937</i> | 1.58 <i>0.062</i> | |
| # BF01588-01826-0254-X | 15.875 <i>0.625</i> | 18.256 <i>0.719</i> | 25.400 <i>1.000</i> | 23.80 <i>0.937</i> | 1.58 <i>0.062</i> | |
| # BF01588-01826-0381-X | 15.875 <i>0.625</i> | 18.256 <i>0.719</i> | 38.100 <i>1.500</i> | 23.80 <i>0.937</i> | 1.58 <i>0.062</i> | |
| # BF01600-01800-0120-X | 16.000 <i>0.630</i> | 18.000 <i>0.709</i> | 12.000 <i>0.472</i> | 24.00 <i>0.945</i> | 1.00 <i>0.039</i> | +0.016/+0.086 |
| # BF01600-01800-0170-X | 16.000 <i>0.630</i> | 18.000 <i>0.709</i> | 17.000 <i>0.669</i> | 24.00 <i>0.945</i> | 1.00 <i>0.039</i> | +0.016/+0.086 |
| # BF01800-02000-0120-X | 18.000 <i>0.709</i> | 20.000 <i>0.787</i> | 12.000 <i>0.472</i> | 26.00 <i>1.024</i> | 1.00 <i>0.039</i> | +0.016/+0.086 |
| # BF01800-02000-0170-X | 18.000 <i>0.709</i> | 20.000 <i>0.787</i> | 17.000 <i>0.669</i> | 26.00 <i>1.024</i> | 1.00 <i>0.039</i> | +0.016/+0.086 |
| # BF01905-02223-0127-X | 19.050 <i>0.750</i> | 22.225 <i>0.875</i> | 12.700 <i>0.500</i> | 28.58 <i>1.125</i> | 1.58 <i>0.062</i> | |
| # BF01905-02223-0191-X | 19.050 <i>0.750</i> | 22.225 <i>0.875</i> | 19.050 <i>0.750</i> | 28.58 <i>1.125</i> | 1.58 <i>0.062</i> | |

Indicates item not stocked at time of printing - Please enquire for lead time

E&OE Pricing and all details subject to change without notice - Copyright Miniature Bearings Australia Pty Ltd

MBA Size Listings are a guide to sizes only and must not be solely relied on for critical design information.

Bushes - Plastic - Iglidur X - Flanged

| Part Number | Nom. ID (d) mm | Nom. OD (D) mm | Length (s) mm | Flange OD (D1) mm | Flange Thickness (s1) mm | Tolerance of ID after Pressfit |
|------------------------|------------------------|------------------------|------------------------|-----------------------|--------------------------|--------------------------------|
| | <i>inches</i> | <i>inches</i> | <i>inches</i> | <i>inches</i> | <i>inches</i> | |
| # BF01905-02223-0254-X | 19.050 <i>0.750</i> | 22.225 <i>0.875</i> | 25.400 <i>1.000</i> | 28.58 <i>1.125</i> | 1.58 <i>0.062</i> | |
| # BF01905-02223-0445-X | 19.050 <i>0.750</i> | 22.225 <i>0.875</i> | 44.450 <i>1.750</i> | 28.58 <i>1.125</i> | 1.58 <i>0.062</i> | |
| # BF02000-02300-0110-X | 20.000 <i>0.787</i> | 23.000 <i>0.906</i> | 11.000 <i>0.433</i> | 30.00 <i>1.181</i> | 1.50 <i>0.059</i> | +0.020/+0.104 |
| # BF02000-02300-0215-X | 20.000 <i>0.787</i> | 23.000 <i>0.906</i> | 21.500 <i>0.846</i> | 30.00 <i>1.181</i> | 1.50 <i>0.059</i> | +0.020/+0.104 |
| # BF02223-02540-0191-X | 22.225 <i>0.875</i> | 25.400 <i>1.000</i> | 19.050 <i>0.750</i> | 31.75 <i>1.250</i> | 1.58 <i>0.062</i> | |
| # BF02223-02540-0254-X | 22.225 <i>0.875</i> | 25.400 <i>1.000</i> | 25.400 <i>1.000</i> | 31.75 <i>1.250</i> | 1.58 <i>0.062</i> | |
| # BF02500-02800-0210-X | 25.000 <i>0.984</i> | 28.000 <i>1.102</i> | 21.000 <i>0.827</i> | 35.00 <i>1.378</i> | 1.50 <i>0.059</i> | +0.020/+0.104 |
| # BF02540-02857-0254-X | 25.400 <i>1.000</i> | 28.570 <i>1.125</i> | 25.400 <i>1.000</i> | 34.93 <i>1.375</i> | 1.58 <i>0.062</i> | |
| # BF02540-02858-0127-X | 25.400 <i>1.000</i> | 28.575 <i>1.125</i> | 12.700 <i>0.500</i> | 34.93 <i>1.375</i> | 1.58 <i>0.062</i> | |
| # BF02540-02858-0191-X | 25.400 <i>1.000</i> | 28.575 <i>1.125</i> | 19.050 <i>0.750</i> | 34.93 <i>1.375</i> | 1.58 <i>0.062</i> | |

Indicates item not stocked at time of printing - Please enquire for lead time

E&OE Pricing and all details subject to change without notice - Copyright Miniature Bearings Australia Pty Ltd

MBA Size Listings are a guide to sizes only and must not be solely relied on for critical design information.

Bushes - Plastic - Iglidur X - Flanged

| Part Number | Nom. ID (d) mm | Nom. OD (D) mm | Length (s) mm | Flange OD (D1) mm | Flange Thickness (s1) mm | Tolerance of ID after Pressfit |
|------------------------|------------------------|------------------------|------------------------|-----------------------|--------------------------|--------------------------------|
| | <i>inches</i> | <i>inches</i> | <i>inches</i> | <i>inches</i> | <i>inches</i> | |
| # BF02540-02858-0381-X | 25.400 <i>1.000</i> | 28.575 <i>1.125</i> | 38.100 <i>1.500</i> | 34.93 <i>1.375</i> | 1.58 <i>0.062</i> | |
| # BF02700-03000-0200-X | 27.000 <i>1.063</i> | 30.000 <i>1.181</i> | 20.000 <i>0.787</i> | 38.00 <i>1.496</i> | 2.00 <i>0.079</i> | +0.020/+0.104 |
| # BF02858-03254-0191-X | 28.575 <i>1.125</i> | 32.544 <i>1.281</i> | 19.050 <i>0.750</i> | 39.68 <i>1.562</i> | 1.98 <i>0.078</i> | |
| # BF03000-03400-0160-X | 30.000 <i>1.181</i> | 34.000 <i>1.339</i> | 16.000 <i>0.630</i> | 42.00 <i>1.654</i> | 2.00 <i>0.079</i> | +0.020/+0.104 |
| # BF03000-03400-0260-X | 30.000 <i>1.181</i> | 34.000 <i>1.339</i> | 26.000 <i>1.024</i> | 42.00 <i>1.654</i> | 2.00 <i>0.079</i> | +0.020/+0.104 |
| # BF03000-03400-0400-X | 30.000 <i>1.181</i> | 34.000 <i>1.339</i> | 40.000 <i>1.575</i> | 42.00 <i>1.654</i> | 2.00 <i>0.079</i> | +0.020/+0.104 |
| # BF03175-03572-0318-X | 31.750 <i>1.250</i> | 35.719 <i>1.406</i> | 31.750 <i>1.250</i> | 42.85 <i>1.687</i> | 1.98 <i>0.078</i> | |
| # BF03175-03572-0508-X | 31.750 <i>1.250</i> | 35.719 <i>1.406</i> | 50.800 <i>2.000</i> | 42.85 <i>1.687</i> | 1.98 <i>0.078</i> | |
| # BF03200-03600-0150-X | 32.000 <i>1.260</i> | 36.000 <i>1.417</i> | 15.000 <i>0.591</i> | 45.00 <i>1.772</i> | 2.00 <i>0.079</i> | +0.025/+0.125 |
| # BF03200-03600-0260-X | 32.000 <i>1.260</i> | 36.000 <i>1.417</i> | 26.000 <i>1.024</i> | 45.00 <i>1.772</i> | 2.00 <i>0.079</i> | +0.025/+0.125 |

Indicates item not stocked at time of printing - Please enquire for lead time

E&OE Pricing and all details subject to change without notice - Copyright Miniature Bearings Australia Pty Ltd

MBA Size Listings are a guide to sizes only and must not be solely relied on for critical design information.

Bushes - Plastic - Iglidur X - Flanged

| Part Number | Nom. ID (d) mm | Nom. OD (D) mm | Length (s) mm | Flange OD (D1) mm | Flange Thickness (s1) mm | Tolerance of ID after Pressfit |
|------------------------|------------------------|------------------------|------------------------|-----------------------|--------------------------|--------------------------------|
| | <i>inches</i> | <i>inches</i> | <i>inches</i> | <i>inches</i> | <i>inches</i> | |
| # BF03500-03900-0260-X | 35.000 <i>1.378</i> | 39.000 <i>1.535</i> | 26.000 <i>1.024</i> | 47.00 <i>1.850</i> | 2.00 <i>0.079</i> | +0.025/+0.125 |
| # BF03810-04207-0191-X | 38.100 <i>1.500</i> | 42.069 <i>1.656</i> | 19.050 <i>0.750</i> | 50.80 <i>2.000</i> | 1.98 <i>0.078</i> | |
| # BF03810-04207-0254-X | 38.100 <i>1.500</i> | 42.069 <i>1.656</i> | 25.400 <i>1.000</i> | 50.80 <i>2.000</i> | 1.98 <i>0.078</i> | |
| # BF03810-04207-0381-X | 38.100 <i>1.500</i> | 42.069 <i>1.656</i> | 38.100 <i>1.500</i> | 50.80 <i>2.000</i> | 1.98 <i>0.078</i> | |
| # BF03810-04207-0413-X | 38.100 <i>1.500</i> | 42.069 <i>1.656</i> | 41.275 <i>1.625</i> | 50.80 <i>2.000</i> | 1.98 <i>0.078</i> | |
| # BF04000-04400-0300-X | 40.000 <i>1.575</i> | 44.000 <i>1.732</i> | 30.000 <i>1.181</i> | 52.00 <i>2.047</i> | 2.00 <i>0.079</i> | +0.025/+0.125 |
| # BF04000-04400-0400-X | 40.000 <i>1.575</i> | 44.000 <i>1.732</i> | 40.000 <i>1.575</i> | 52.00 <i>2.047</i> | 2.00 <i>0.079</i> | +0.025/+0.125 |
| # BF04445-04921-0254-X | 44.450 <i>1.750</i> | 49.213 <i>1.938</i> | 25.400 <i>1.000</i> | 60.33 <i>2.375</i> | 2.36 <i>0.093</i> | |
| # BF04500-05000-0500-X | 45.000 <i>1.772</i> | 50.000 <i>1.969</i> | 50.000 <i>1.969</i> | 58.00 <i>2.283</i> | 2.00 <i>0.079</i> | +0.025/+0.125 |
| # BF05000-05500-0400-X | 50.000 <i>1.969</i> | 55.000 <i>2.165</i> | 40.000 <i>1.575</i> | 63.00 <i>2.480</i> | 2.00 <i>0.079</i> | +0.025/+0.125 |

Indicates item not stocked at time of printing - Please enquire for lead time

E&OE Pricing and all details subject to change without notice - Copyright Miniature Bearings Australia Pty Ltd

MBA Size Listings are a guide to sizes only and must not be solely relied on for critical design information.

Bushes - Plastic - Iglidur X - Flanged

| Part Number | Nom. ID (d) mm | Nom. OD (D) mm | Length (s) mm | Flange OD (D1) mm | Flange Thickness (s1) mm | Tolerance of ID after Pressfit |
|------------------------|------------------------|------------------------|------------------------|-----------------------|--------------------------|--------------------------------|
| | <i>inches</i> | <i>inches</i> | <i>inches</i> | <i>inches</i> | <i>inches</i> | |
| # BF05080-05556-0508-X | 50.800 <i>2.000</i> | 55.563 <i>2.188</i> | 50.800 <i>2.000</i> | 66.68 <i>2.625</i> | 2.36 <i>0.093</i> | |
| # BF06000-06500-0400-X | 60.000 <i>2.362</i> | 65.000 <i>2.559</i> | 40.000 <i>1.575</i> | 73.00 <i>2.874</i> | 2.00 <i>0.079</i> | +0.30/+0.150 |
| # BF06985-07461-0508-X | 69.850 <i>2.750</i> | 74.613 <i>2.938</i> | 50.800 <i>2.000</i> | 85.73 <i>3.375</i> | 2.36 <i>0.093</i> | |
| # BF07000-07500-0400-X | 70.000 <i>2.756</i> | 75.000 <i>2.953</i> | 40.000 <i>1.575</i> | 83.00 <i>3.268</i> | 2.00 <i>0.079</i> | +0.30/+0.150 |
| # BF07500-08000-0500-X | 75.000 <i>2.953</i> | 80.000 <i>3.150</i> | 50.000 <i>1.969</i> | 88.00 <i>3.465</i> | 2.00 <i>0.079</i> | +0.30/+0.150 |

Indicates item not stocked at time of printing - Please enquire for lead time

E&OE Pricing and all details subject to change without notice - Copyright Miniature Bearings Australia Pty Ltd

MBA Size Listings are a guide to sizes only and must not be solely relied on for critical design information.



DISTRIBUTED BY

Ask us to put your name and address here

<http://www.minibearings.com.au/product>

Ph +61 7 3245 7977

Fax +61 7 3245 1017

Catalogue requests to catalogues@minibearings.com.au

| | | | | | |
|--|--|--|--|--|--|
| | | | | | |
| | | | | | |
| | | | | | |