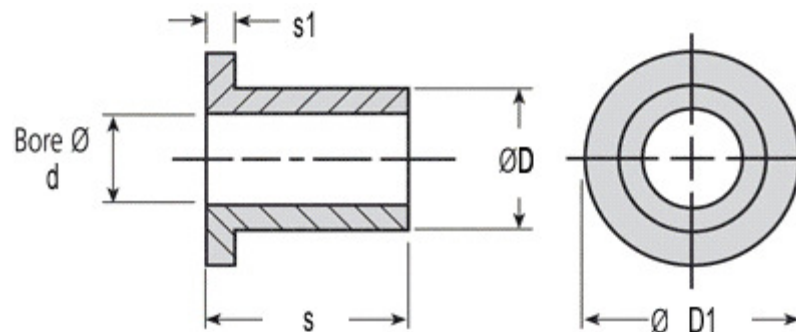




MBA

Bushes - Plastic - Iglidur Z - Flanged



High temperature. High thermal resistance. Extreme load. High surface speed.

Specific Gravity 1.40 g/cm³.

Operating Temp 310 C short term / 250 C long term.

Tensile Strength at 20 deg C = 95 Mpa.

Hardness 81 Shore D (DIN53505).

Tolerances listed are after H7 Pressfit.

Bushes - Plastic - Iglidur Z - Flanged

Part Number	Nom. ID (d) mm	Nom. OD (D) mm	Length (s) mm	Flange OD (D1) mm	Flange Thickness (s1) mm	Tolerance of ID after Pressfit
	<i>inches</i>	<i>inches</i>	<i>inches</i>	<i>inches</i>	<i>inches</i>	
# BF00400-00550-0040-Z	4.000 <i>0.157</i>	5.500 <i>0.217</i>	4.000 <i>0.157</i>	9.50 <i>0.374</i>	0.75 <i>0.030</i>	+0.010/+0.058
# BF00500-00700-0050-Z	5.000 <i>0.197</i>	7.000 <i>0.276</i>	5.000 <i>0.197</i>	11.00 <i>0.433</i>	1.00 <i>0.039</i>	+0.010/+0.058
BF00600-00800-0080-Z	6.000 <i>0.236</i>	8.000 <i>0.315</i>	8.000 <i>0.315</i>	12.00 <i>0.472</i>	1.00 <i>0.039</i>	+0.010/+0.058

Indicates item not stocked at time of printing - Please enquire for lead time

E&OE Pricing and all details subject to change without notice - Copyright Miniature Bearings Australia Pty Ltd

MBA Size Listings are a guide to sizes only and must not be solely relied on for critical design information.

Bushes - Plastic - Iglidur Z - Flanged

Part Number	Nom. ID (d) mm	Nom. OD (D) mm	Length (s) mm	Flange OD (D1) mm	Flange Thickness (s1) mm	Tolerance of ID after Pressfit
	<i>inches</i>	<i>inches</i>	<i>inches</i>	<i>inches</i>	<i>inches</i>	
# BF00800-01000-0090-Z	8.000 <i>0.315</i>	10.000 <i>0.394</i>	9.000 <i>0.354</i>	15.00 <i>0.591</i>	1.00 <i>0.039</i>	+0.013/+0.071
# BF00953-01191-0127-Z	9.525 <i>0.375</i>	11.906 <i>0.469</i>	12.700 <i>0.500</i>	17.45 <i>0.687</i>	1.17 <i>0.046</i>	
# BF01000-01200-0090-Z	10.000 <i>0.394</i>	12.000 <i>0.472</i>	9.000 <i>0.354</i>	18.00 <i>0.709</i>	1.00 <i>0.039</i>	+0.013/+0.071
# BF01200-01400-0120-Z	12.000 <i>0.472</i>	14.000 <i>0.551</i>	12.000 <i>0.472</i>	20.00 <i>0.787</i>	1.00 <i>0.039</i>	+0.016/+0.086
# BF01200-01400-0200-Z	12.000 <i>0.472</i>	14.000 <i>0.551</i>	20.000 <i>0.787</i>	20.00 <i>0.787</i>	1.00 <i>0.039</i>	+0.016/+0.086
# BF01270-01508-0127-Z	12.700 <i>0.500</i>	15.081 <i>0.594</i>	12.700 <i>0.500</i>	22.23 <i>0.875</i>	1.17 <i>0.046</i>	
# BF01500-01700-0110-Z	15.000 <i>0.591</i>	17.000 <i>0.669</i>	11.000 <i>0.433</i>	23.00 <i>0.906</i>	1.00 <i>0.039</i>	+0.016/+0.086
# BF01588-01905-0127-Z	15.875 <i>0.625</i>	19.050 <i>0.750</i>	12.700 <i>0.500</i>	23.80 <i>0.937</i>	1.17 <i>0.046</i>	
# BF01800-02000-0170-Z	18.000 <i>0.709</i>	20.000 <i>0.787</i>	17.000 <i>0.669</i>	26.00 <i>1.024</i>	1.00 <i>0.039</i>	+0.013/+0.071
# BF01905-02223-0191-Z	19.050 <i>0.750</i>	22.225 <i>0.875</i>	19.050 <i>0.750</i>	28.58 <i>1.125</i>	1.58 <i>0.062</i>	

Indicates item not stocked at time of printing - Please enquire for lead time

E&OE Pricing and all details subject to change without notice - Copyright Miniature Bearings Australia Pty Ltd

MBA Size Listings are a guide to sizes only and must not be solely relied on for critical design information.

Bushes - Plastic - Iglidur Z - Flanged

Part Number	Nom. ID (d) mm	Nom. OD (D) mm	Length (s) mm	Flange OD (D1) mm	Flange Thickness (s1) mm	Tolerance of ID after Pressfit
	<i>inches</i>	<i>inches</i>	<i>inches</i>	<i>inches</i>	<i>inches</i>	
# BF01905-02223-0254-Z	19.050 <i>0.750</i>	22.225 <i>0.875</i>	25.400 <i>1.000</i>	28.58 <i>1.125</i>	1.58 <i>0.062</i>	
# BF02000-02300-0215-Z	20.000 <i>0.787</i>	23.000 <i>0.906</i>	21.500 <i>0.846</i>	30.00 <i>1.181</i>	1.50 <i>0.059</i>	+0.020/+0.104
# BF02223-02540-0191-Z	22.225 <i>0.875</i>	25.400 <i>1.000</i>	19.050 <i>0.750</i>	31.75 <i>1.250</i>	1.58 <i>0.062</i>	
# BF02223-02540-0254-Z	22.225 <i>0.875</i>	25.400 <i>1.000</i>	25.400 <i>1.000</i>	31.75 <i>1.250</i>	1.58 <i>0.062</i>	
# BF02500-02800-0215-Z	25.000 <i>0.984</i>	28.000 <i>1.102</i>	21.500 <i>0.846</i>	35.00 <i>1.378</i>	1.50 <i>0.059</i>	+0.020/+0.104
# BF02540-02858-0127-Z	25.400 <i>1.000</i>	28.575 <i>1.125</i>	12.700 <i>0.500</i>	34.93 <i>1.375</i>	1.58 <i>0.062</i>	
# BF02540-02858-0254-Z	25.400 <i>1.000</i>	28.575 <i>1.125</i>	25.400 <i>1.000</i>	34.93 <i>1.375</i>	1.58 <i>0.062</i>	
# BF02858-03254-0191-Z	28.575 <i>1.125</i>	32.544 <i>1.281</i>	19.050 <i>0.750</i>	39.68 <i>1.562</i>	1.98 <i>0.078</i>	
# BF02858-03254-0381-Z	28.575 <i>1.125</i>	32.544 <i>1.281</i>	38.100 <i>1.500</i>	39.68 <i>1.562</i>	1.98 <i>0.078</i>	
# BF03000-03400-0260-Z	30.000 <i>1.181</i>	34.000 <i>1.339</i>	26.000 <i>1.024</i>	42.00 <i>1.654</i>	2.00 <i>0.079</i>	+0.020/+0.104

Indicates item not stocked at time of printing - Please enquire for lead time

E&OE Pricing and all details subject to change without notice - Copyright Miniature Bearings Australia Pty Ltd

MBA Size Listings are a guide to sizes only and must not be solely relied on for critical design information.

Bushes - Plastic - Iglidur Z - Flanged

Part Number	Nom. ID (d) mm	Nom. OD (D) mm	Length (s) mm	Flange OD (D1) mm	Flange Thickness (s1) mm	Tolerance of ID after Pressfit
	<i>inches</i>	<i>inches</i>	<i>inches</i>	<i>inches</i>	<i>inches</i>	
# BF03000-03400-0370-Z	30.000 <i>1.181</i>	34.000 <i>1.339</i>	37.000 <i>1.457</i>	42.00 <i>1.654</i>	2.00 <i>0.079</i>	+0.020/+0.104
# BF03175-03572-0318-Z	31.750 <i>1.250</i>	35.719 <i>1.406</i>	31.750 <i>1.250</i>	42.85 <i>1.687</i>	1.98 <i>0.078</i>	
# BF03175-03572-0381-Z	31.750 <i>1.250</i>	35.719 <i>1.406</i>	38.100 <i>1.500</i>	42.85 <i>1.687</i>	1.98 <i>0.078</i>	
# BF03810-04207-0381-Z	38.100 <i>1.500</i>	42.069 <i>1.656</i>	38.100 <i>1.500</i>	50.80 <i>2.000</i>	1.98 <i>0.078</i>	
# BF04000-04400-0400-Z	40.000 <i>1.575</i>	44.000 <i>1.732</i>	40.000 <i>1.575</i>	52.00 <i>2.047</i>	2.00 <i>0.079</i>	+0.025/+0.125
# BF04445-04921-0508-Z	44.450 <i>1.750</i>	49.213 <i>1.938</i>	50.800 <i>2.000</i>	60.33 <i>2.375</i>	2.36 <i>0.093</i>	
# BF05080-05556-0508-Z	50.800 <i>2.000</i>	55.563 <i>2.188</i>	50.800 <i>2.000</i>	66.68 <i>2.625</i>	2.36 <i>0.093</i>	

Indicates item not stocked at time of printing - Please enquire for lead time

E&OE Pricing and all details subject to change without notice - Copyright Miniature Bearings Australia Pty Ltd

MBA Size Listings are a guide to sizes only and must not be solely relied on for critical design information.



DISTRIBUTED BY

Ask us to put your name and address here

<http://www.minibearings.com.au/product>

Ph +61 7 3245 7977

Fax +61 7 3245 1017

Catalogue requests to catalogues@minibearings.com.au
