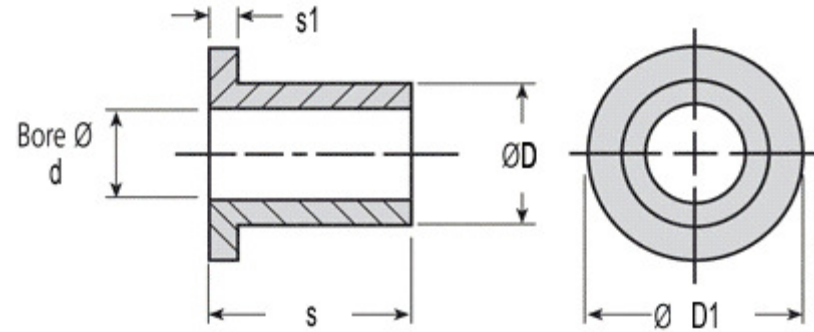




MBA

Bushes - Plastic - Natural
Acetal - Flanged



Nominal clearance on ID.

Nominal oversize on OD for push-fit in housing.

Pricing is highly quantity dependant. Please enquire.

Bushes - Plastic - Natural Acetal - Flanged

Part Number	Nom. ID (d) mm <i>inches</i>	Nom. OD (D) mm <i>inches</i>	Length (s) mm <i>inches</i>	Flange OD (D1) mm <i>inches</i>	Flange Thickness (s1) mm <i>inches</i>
# BF01905-02540-0159-AN	19.050 <i>0.750</i>	25.400 <i>1.000</i>	15.875 <i>0.625</i>	28.58 <i>1.125</i>	3.18 <i>0.125</i>
# BF01905-02540-0349-AN	19.050 <i>0.750</i>	25.400 <i>1.000</i>	34.925 <i>1.375</i>	31.75 <i>1.250</i>	3.18 <i>0.125</i>
BF02540-03175-0540-AN	25.400 <i>1.000</i>	31.750 <i>1.250</i>	53.971 <i>2.125</i>	44.45 <i>1.750</i>	3.18 <i>0.125</i>
# BF03810-04445-0413-AN	38.100 <i>1.500</i>	44.450 <i>1.750</i>	41.275 <i>1.625</i>	60.33 <i>2.375</i>	3.18 <i>0.125</i>

Indicates item not stocked at time of printing - Please enquire for lead time

E&OE Pricing and all details subject to change without notice - Copyright Miniature Bearings Australia Pty Ltd

MBA Size Listings are a guide to sizes only and must not be solely relied on for critical design information.



DISTRIBUTED BY

Ask us to put your name and address here

<http://www.minibearings.com.au/product>

Ph +61 7 3245 7977

Fax +61 7 3245 1017

Catalogue requests to catalogues@minibearings.com.au
