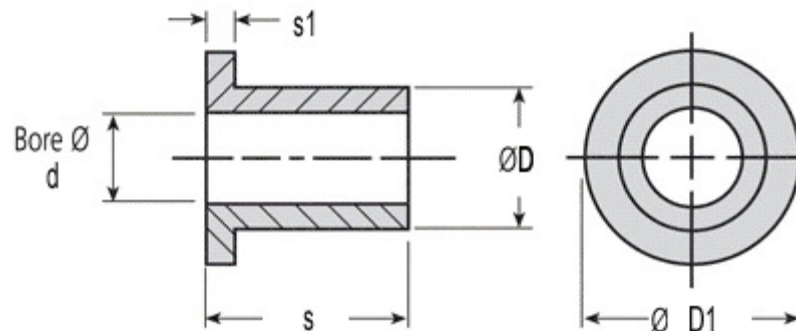




# MBA

## Bushes - Plastic - Natural Nylon - Flanged



Nominal clearance on ID.

Nominal oversize on OD for push-fit in housing.

Pricing is highly quantity dependant. Please enquire.

### Bushes - Plastic - Natural Nylon - Flanged

Part Number	Nom. ID (d) mm <i>inches</i>	Nom. OD (D) mm <i>inches</i>	Length (s) mm <i>inches</i>	Flange OD (D1) mm <i>inches</i>	Flange Thickness (s1) mm <i>inches</i>
# BF00318-01270-0349-NN	3.175 <i>0.125</i>	12.700 <i>0.500</i>	34.925 <i>1.375</i>	19.05 <i>0.750</i>	3.18 <i>0.125</i>

# Indicates item not stocked at time of printing - Please enquire for lead time

E&OE Pricing and all details subject to change without notice - Copyright Miniature Bearings Australia Pty Ltd

MBA Size Listings are a guide to sizes only and must not be solely relied on for critical design information.



DISTRIBUTED BY

Ask us to put your name and address here

<http://www.minibearings.com.au/product>

Ph +61 7 3245 7977

Fax +61 7 3245 1017

Catalogue requests to [catalogues@minibearings.com.au](mailto:catalogues@minibearings.com.au)
