



MBA

Bushes - Plastic - Rulon J - Flanged

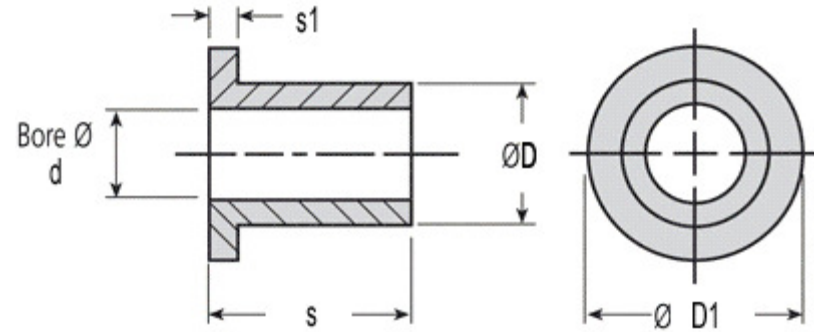
Non Metallic Bushes. Excellent insulator.

288 Deg C (550 Deg F) Maximum Working Temperature.

Patented all polymeric PTFE compound which operates well against soft mating surfaces.

Tolerances - ID and OD +0.051mm / - 0.000mm.

Lowest co-efficient of friction in the Rulon® product range.



Bushes - Plastic - Rulon J - Flanged

Part Number	Nom. ID (d) mm	Nom. OD (D) mm	Length (s) mm	Flange OD (D1) mm	Flange Thickness (s1) mm	Type	Rec. Housing Bore mm	Rec. Shaft Size mm
	<i>inches</i>	<i>inches</i>	<i>inches</i>	<i>inches</i>	<i>inches</i>		<i>inches</i>	<i>inches</i>
# BF00316-00604-0049-RJ	3.160 <i>0.124</i>	6.040 <i>0.238</i>	4.900 <i>0.193</i>	9.00 <i>0.354</i>	1.50 <i>0.059</i>	Flanged	6.000 / 5.980	3.000 / 2.925
# BF00416-00704-0059-RJ	4.160 <i>0.164</i>	7.040 <i>0.277</i>	5.900 <i>0.232</i>	9.00 <i>0.354</i>	1.50 <i>0.059</i>	Flanged	7.000 / 6.980	4.000 / 3.900
# BF00485-00795-0064-RJ	4.851 <i>0.191</i>	7.950 <i>0.313</i>	6.350 <i>0.250</i>	11.10 <i>0.437</i>	1.59 <i>0.063</i>	Flanged	7.925 / 7.889	4.763 / 4.737

Indicates item not stocked at time of printing - Please enquire for lead time

E&OE Pricing and all details subject to change without notice - Copyright Miniature Bearings Australia Pty Ltd

MBA Size Listings are a guide to sizes only and must not be solely relied on for critical design information.

Bushes - Plastic - Rulon J - Flanged

Part Number	Nom. ID (d) mm	Nom. OD (D) mm	Length (s) mm	Flange OD (D1) mm	Flange Thickness (s1) mm	Type	Rec. Housing Bore mm	Rec. Shaft Size mm
	<i>inches</i>	<i>inches</i>	<i>inches</i>	<i>inches</i>	<i>inches</i>		<i>inches</i>	<i>inches</i>
# BF00485-00795-0127-RJ	4.851 <i>0.191</i>	7.950 <i>0.313</i>	12.700 <i>0.500</i>	11.10 <i>0.437</i>	1.59 <i>0.063</i>	Flanged	7.925 / 7.889	4.763 / 4.737
BF00516-00804-0079-RJ	5.160 <i>0.203</i>	8.040 <i>0.317</i>	7.900 <i>0.311</i>	11.00 <i>0.433</i>	1.50 <i>0.059</i>	Flanged	8.000 / 7.980	5.000 / 4.875
# BF00616-00904-0079-RJ	6.160 <i>0.243</i>	9.040 <i>0.356</i>	7.900 <i>0.311</i>	12.00 <i>0.472</i>	1.50 <i>0.059</i>	Flanged	9.000 / 8.980	6.000 / 5.850
# BF00645-00955-0127-RJ	6.452 <i>0.254</i>	9.550 <i>0.376</i>	12.700 <i>0.500</i>	12.70 <i>0.500</i>	1.59 <i>0.063</i>	Flanged	9.525 / 9.500	6.350 / 6.325
BF00645-00955-0095-RJ	6.452 <i>0.254</i>	9.550 <i>0.376</i>	9.525 <i>0.375</i>	12.70 <i>0.500</i>	1.59 <i>0.063</i>	Flanged	9.525 / 9.500	6.350 / 6.325
# BF00718-01105-0099-RJ	7.180 <i>0.283</i>	11.050 <i>0.435</i>	9.900 <i>0.390</i>	15.00 <i>0.591</i>	2.00 <i>0.079</i>	Flanged	11.000 / 10.980	7.000 / 6.825
# BF00818-01205-0099-RJ	8.180 <i>0.322</i>	12.050 <i>0.474</i>	9.900 <i>0.390</i>	16.00 <i>0.630</i>	2.00 <i>0.079</i>	Flanged	12.000 / 11.980	8.000 / 7.800
# BF00918-01305-0099-RJ	9.180 <i>0.361</i>	13.050 <i>0.514</i>	9.850 <i>0.388</i>	17.00 <i>0.669</i>	2.00 <i>0.079</i>	Flanged	13.000 / 12.980	9.000 / 8.775
# BF00963-01590-0127-RJ	9.627 <i>0.379</i>	15.900 <i>0.626</i>	12.700 <i>0.500</i>	22.23 <i>0.875</i>	3.18 <i>0.125</i>	Flanged	15.875 / 15.850	9.525 / 9.500
# BF00963-01590-0191-RJ	9.627 <i>0.379</i>	15.900 <i>0.626</i>	19.050 <i>0.750</i>	22.23 <i>0.875</i>	3.18 <i>0.125</i>	Flanged	15.875 / 15.850	9.525 / 9.500

Indicates item not stocked at time of printing - Please enquire for lead time

E&OE Pricing and all details subject to change without notice - Copyright Miniature Bearings Australia Pty Ltd

MBA Size Listings are a guide to sizes only and must not be solely relied on for critical design information.

Bushes - Plastic - Rulon J - Flanged

Part Number	Nom. ID (d) mm	Nom. OD (D) mm	Length (s) mm	Flange OD (D1) mm	Flange Thickness (s1) mm	Type	Rec. Housing Bore mm	Rec. Shaft Size mm
	<i>inches</i>	<i>inches</i>	<i>inches</i>	<i>inches</i>	<i>inches</i>		<i>inches</i>	<i>inches</i>
# BF01019-01405-0149-RJ	10.190 <i>0.401</i>	14.050 <i>0.553</i>	14.850 <i>0.585</i>	18.00 <i>0.709</i>	2.00 <i>0.079</i>	Flanged	14.000 / 13.980	10.000 / 9.750
# BF01219-01605-0149-RJ	12.190 <i>0.480</i>	16.050 <i>0.632</i>	14.850 <i>0.585</i>	20.00 <i>0.787</i>	2.00 <i>0.079</i>	Flanged	16.000 / 15.980	12.000 / 11.700
# BF01280-01908-0127-RJ	12.802 <i>0.504</i>	19.075 <i>0.751</i>	12.700 <i>0.500</i>	25.40 <i>1.000</i>	3.18 <i>0.125</i>	Flanged	19.050 / 19.025	12.700 / 12.675
# BF01280-01908-0191-RJ	12.802 <i>0.504</i>	19.075 <i>0.751</i>	19.050 <i>0.750</i>	25.40 <i>1.000</i>	3.18 <i>0.125</i>	Flanged	19.050 / 19.025	12.700 / 12.675
# BF01280-01908-0254-RJ	12.802 <i>0.504</i>	19.075 <i>0.751</i>	25.400 <i>1.000</i>	25.40 <i>1.000</i>	3.18 <i>0.125</i>	Flanged	19.050 / 19.025	12.700 / 12.675
# BF01520-02105-0199-RJ	15.200 <i>0.598</i>	21.050 <i>0.829</i>	19.850 <i>0.781</i>	27.00 <i>1.063</i>	3.00 <i>0.118</i>	Flanged	21.000 / 21.980	15.000 / 14.625
# BF01600-02225-0191-RJ	16.000 <i>0.630</i>	22.250 <i>0.876</i>	19.050 <i>0.750</i>	25.40 <i>1.000</i>	3.18 <i>0.125</i>	Flanged	22.225 / 22.200	15.875 / 15.850
# BF01600-02225-0254-RJ	16.000 <i>0.630</i>	22.250 <i>0.876</i>	25.400 <i>1.000</i>	25.40 <i>1.000</i>	3.18 <i>0.125</i>	Flanged	22.225 / 22.200	15.875 / 15.850
# BF01720-02305-0199-RJ	17.200 <i>0.677</i>	23.050 <i>0.907</i>	19.850 <i>0.781</i>	29.00 <i>1.142</i>	3.00 <i>0.118</i>	Flanged	23.000 / 22.980	19.000 / 18.525
# BF01918-02543-0254-RJ	19.177 <i>0.755</i>	25.425 <i>1.001</i>	25.400 <i>1.000</i>	31.75 <i>1.250</i>	3.18 <i>0.125</i>	Flanged	25.400 / 25.375	19.050 / 19.025

Indicates item not stocked at time of printing - Please enquire for lead time

E&OE Pricing and all details subject to change without notice - Copyright Miniature Bearings Australia Pty Ltd

MBA Size Listings are a guide to sizes only and must not be solely relied on for critical design information.

Bushes - Plastic - Rulon J - Flanged

Part Number	Nom. ID (d) mm <i>inches</i>	Nom. OD (D) mm <i>inches</i>	Length (s) mm <i>inches</i>	Flange OD (D1) mm <i>inches</i>	Flange Thickness (s1) mm <i>inches</i>	Type	Rec. Housing Bore mm <i>inches</i>	Rec. Shaft Size mm <i>inches</i>
# BF02021-02606-0249-RJ	20.210 <i>0.796</i>	26.060 <i>1.026</i>	24.850 <i>0.978</i>	32.00 <i>1.260</i>	3.00 <i>0.118</i>	Flanged	26.000 / 25.980	20.000 / 19.500
# BF02221-02806-0289-RJ	22.210 <i>0.874</i>	28.060 <i>1.105</i>	28.850 <i>1.136</i>	34.00 <i>1.339</i>	3.00 <i>0.118</i>	Flanged	28.000 / 27.980	22.000 / 21.450
# BF02521-03106-0299-RJ	25.210 <i>0.993</i>	31.060 <i>1.223</i>	29.850 <i>1.175</i>	37.00 <i>1.457</i>	3.00 <i>0.118</i>	Flanged	31.000 / 30.980	25.000 / 24.375
# BF02553-03178-0381-RJ	25.527 <i>1.005</i>	31.775 <i>1.251</i>	38.100 <i>1.500</i>	38.10 <i>1.500</i>	3.18 <i>0.125</i>	Flanged	31.750 / 31.725	25.400 / 25.375
# BF02821-03406-0299-RJ	28.210 <i>1.111</i>	34.060 <i>1.341</i>	29.850 <i>1.175</i>	40.00 <i>1.575</i>	3.00 <i>0.118</i>	Flanged	34.000 / 33.980	28.000 / 27.300
# BF03022-03606-0349-RJ	30.220 <i>1.190</i>	36.060 <i>1.420</i>	34.850 <i>1.372</i>	42.00 <i>1.654</i>	3.00 <i>0.118</i>	Flanged	36.000 / 35.980	30.000 / 29.250
# BF03188-03813-0508-RJ	31.877 <i>1.255</i>	38.125 <i>1.501</i>	50.800 <i>2.000</i>	44.45 <i>1.750</i>	3.18 <i>0.125</i>	Flanged	38.100 / 38.075	31.750 / 31.725
# BF03222-04006-0349-RJ	32.220 <i>1.269</i>	40.060 <i>1.577</i>	34.850 <i>1.372</i>	48.00 <i>1.890</i>	4.00 <i>0.157</i>	Flanged	40.000 / 39.980	32.000 / 31.200
# BF03522-04306-0399-RJ	35.220 <i>1.387</i>	43.060 <i>1.695</i>	39.850 <i>1.569</i>	51.00 <i>2.008</i>	4.00 <i>0.157</i>	Flanged	43.000 / 42.980	35.000 / 34.125
# BF03825-04448-0508-RJ	38.252 <i>1.506</i>	44.475 <i>1.751</i>	50.800 <i>2.000</i>	50.80 <i>2.000</i>	3.18 <i>0.125</i>	Flanged	44.450 / 44.425	38.100 / 38.075

Indicates item not stocked at time of printing - Please enquire for lead time

E&OE Pricing and all details subject to change without notice - Copyright Miniature Bearings Australia Pty Ltd

MBA Size Listings are a guide to sizes only and must not be solely relied on for critical design information.

Bushes - Plastic - Rulon J - Flanged

Part Number	Nom. ID (d) mm	Nom. OD (D) mm	Length (s) mm	Flange OD (D1) mm	Flange Thickness (s1) mm	Type	Rec. Housing Bore mm	Rec. Shaft Size mm
	<i>inches</i>	<i>inches</i>	<i>inches</i>	<i>inches</i>	<i>inches</i>		<i>inches</i>	<i>inches</i>
# BF04022-04806-0449-RJ	40.220 <i>1.583</i>	48.060 <i>1.892</i>	44.850 <i>1.766</i>	56.00 <i>2.205</i>	4.00 <i>0.157</i>	Flanged	48.000 / 47.980	40.000 / 39.000
# BF04520-05306-0499-RJ	45.200 <i>1.780</i>	53.060 <i>2.089</i>	49.850 <i>1.963</i>	61.00 <i>2.402</i>	4.00 <i>0.157</i>	Flanged	53.000 / 52.970	45.000 / 43.875
# BF05024-06006-0599-RJ	50.240 <i>1.978</i>	60.060 <i>2.365</i>	59.850 <i>2.356</i>	70.00 <i>2.756</i>	5.00 <i>0.197</i>	Flanged	60.000 / 59.970	50.000 / 48.750

Indicates item not stocked at time of printing - Please enquire for lead time

E&OE Pricing and all details subject to change without notice - Copyright Miniature Bearings Australia Pty Ltd

MBA Size Listings are a guide to sizes only and must not be solely relied on for critical design information.



DISTRIBUTED BY

Ask us to put your name and address here

<http://www.minibearings.com.au/product>

Ph +61 7 3245 7977

Fax +61 7 3245 1017

Catalogue requests to catalogues@minibearings.com.au
