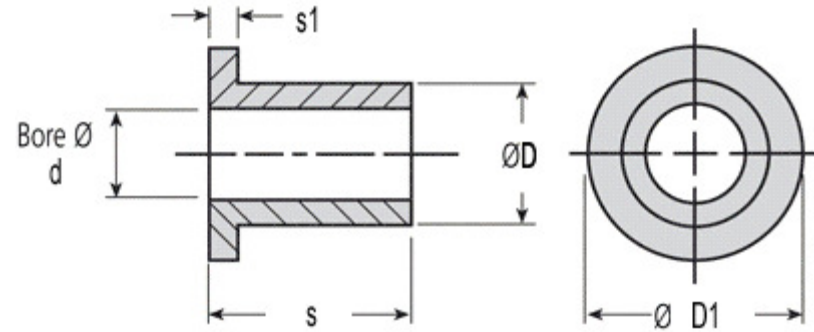




MBA

Bushes - Plastic - T500 - Flanged

High Temperature Minus 100 to Plus 250 Degrees Celcius.



This catalogue to be read in conjunction with information at http://www.minibearings.com.au/ogue/tech/materials/iglidur_t500.pdf

Bushes - Plastic - T500 - Flanged

Part Number	Nom. ID (d) mm	Nom. OD (D) mm	Length (s) mm	Flange OD (D1) mm	Flange Thickness (s1) mm	Bore Tolerance mm	Inner Diameter after Press Fit mm	Tolerance of ID after Pressfit mm	Housing Bore (Max. / Min.) mm
	<i>inches</i>	<i>inches</i>	<i>inches</i>	<i>inches</i>	<i>inches</i>	<i>inches</i>	<i>inches</i>	<i>inches</i>	<i>inches</i>
# BF00300-00450-0050-T5	3.000 <i>0.118</i>	4.500 <i>0.177</i>	5.000 <i>0.197</i>	7.50 <i>0.295</i>	0.75 <i>0.030</i>	+ 0.006 / + 0.046	3.046 / 3.006		4.512 / 4.500
# BF00400-00550-0060-T5	4.000 <i>0.157</i>	5.500 <i>0.217</i>	6.000 <i>0.236</i>	9.50 <i>0.374</i>	0.75 <i>0.030</i>	+ 0.010 / + 0.058	4.058 / 4.010		5.512 / 5.500
# BF00500-00700-0050-T5	5.000 <i>0.197</i>	7.000 <i>0.276</i>	5.000 <i>0.197</i>	11.00 <i>0.433</i>	1.00 <i>0.039</i>	+ 0.010 / + 0.058	5.058 / 5.010		7.015 / 7.000
# BF00600-00800-0080-T5	6.000 <i>0.236</i>	8.000 <i>0.315</i>	8.000 <i>0.315</i>	12.00 <i>0.472</i>	1.00 <i>0.039</i>	+ 0.010 / + 0.058	6.058 / 6.010		8.015 / 8.000

Indicates item not stocked at time of printing - Please enquire for lead time
 E&OE Pricing and all details subject to change without notice - Copyright Miniature Bearings Australia Pty Ltd
 MBA Size Listings are a guide to sizes only and must not be solely relied on for critical design information.

Bushes - Plastic - T500 - Flanged

Part Number	Nom. ID (d) mm	Nom. OD (D) mm	Length (s) mm	Flange OD (D1) mm	Flange Thickness (s1) mm	Bore Tolerance mm	Inner Diameter after Press Fit mm	Tolerance of ID after Pressfit mm	Housing Bore (Max. / Min.) mm
	<i>inches</i>	<i>inches</i>	<i>inches</i>	<i>inches</i>	<i>inches</i>	<i>inches</i>	<i>inches</i>	<i>inches</i>	<i>inches</i>
# BF00800-01000-0090-T5	8.000 <i>0.315</i>	10.000 <i>0.394</i>	9.000 <i>0.354</i>	15.00 <i>0.591</i>	1.00 <i>0.039</i>	+ 0.013 / + 0.071	8.071 / 8.013		10.015 / 10.000
# BF01000-01200-0090-T5	10.000 <i>0.394</i>	12.000 <i>0.472</i>	9.000 <i>0.354</i>	18.00 <i>0.709</i>	1.00 <i>0.039</i>	+ 0.013 / + 0.071	10.071 / 10.013		12.018 / 12.000
# BF01200-01400-0120-T5	12.000 <i>0.472</i>	14.000 <i>0.551</i>	12.000 <i>0.472</i>	20.00 <i>0.787</i>	1.00 <i>0.039</i>	+ 0.016 / + 0.086	12.086 / 12.016		14.018 / 14.000
# BF01600-01800-0170-T5	16.000 <i>0.630</i>	18.000 <i>0.709</i>	17.000 <i>0.669</i>	24.00 <i>0.945</i>	1.00 <i>0.039</i>	+ 0.016 / + 0.086	16.086 / 16.016		18.018 / 18.000
# BF02000-02300-0210-T5	20.000 <i>0.787</i>	23.000 <i>0.906</i>	21.000 <i>0.827</i>	30.00 <i>1.181</i>	1.50 <i>0.059</i>	+ 0.020 / + 0.104	20.104 / 20.020		23.021 / 23.000

Indicates item not stocked at time of printing - Please enquire for lead time

E&OE Pricing and all details subject to change without notice - Copyright Miniature Bearings Australia Pty Ltd

MBA Size Listings are a guide to sizes only and must not be solely relied on for critical design information.



DISTRIBUTED BY

Ask us to put your name and address here

<http://www.minibearings.com.au/product>

Ph +61 7 3245 7977

Fax +61 7 3245 1017

Catalogue requests to catalogues@minibearings.com.au

