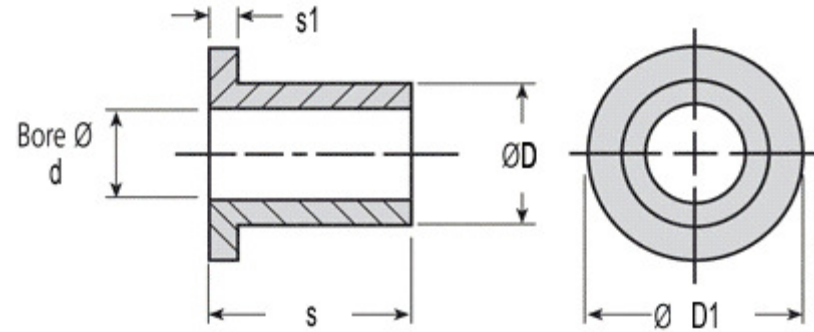




MBA

Bushes - Plastic - X-Lube - Flanged



Self lubricating - low friction - non-corrosive - light weight - chemical resistant.
Molybdenum Disulphide filled Nylon 6.

Pricing is highly quantity dependant. Please enquire.

Note! X-Lube bushes are moulded to nominal tolerances for non critical applications.

You will need to machine these bushes to obtain better tolerances and finish.

Bushes - Plastic - X-Lube - Flanged

Part Number	Nom. ID (d) mm <i>inches</i>	Nom. OD (D) mm <i>inches</i>	Length (s) mm <i>inches</i>	Flange OD (D1) mm <i>inches</i>	Flange Thickness (s1) mm <i>inches</i>
BF00318-00556-0095-XL	3.175 <i>0.125</i>	5.556 <i>0.219</i>	9.525 <i>0.375</i>	6.35 <i>0.250</i>	1.59 <i>0.063</i>
BF00400-00800-0220-XL	4.000 <i>0.157</i>	8.000 <i>0.315</i>	22.000 <i>0.866</i>	10.00 <i>0.394</i>	2.00 <i>0.079</i>
BF00500-00800-0050-XL	5.000 <i>0.197</i>	8.000 <i>0.315</i>	5.000 <i>0.197</i>	15.00 <i>0.591</i>	2.00 <i>0.079</i>
BF00635-00953-0269-XL	6.350 <i>0.250</i>	9.525 <i>0.375</i>	26.990 <i>1.063</i>	19.05 <i>0.750</i>	1.59 <i>0.063</i>

Indicates item not stocked at time of printing - Please enquire for lead time

E&OE Pricing and all details subject to change without notice - Copyright Miniature Bearings Australia Pty Ltd

MBA Size Listings are a guide to sizes only and must not be solely relied on for critical design information.

Bushes - Plastic - X-Lube - Flanged

Part Number	Nom. ID (d) mm <i>inches</i>	Nom. OD (D) mm <i>inches</i>	Length (s) mm <i>inches</i>	Flange OD (D1) mm <i>inches</i>	Flange Thickness (s1) mm <i>inches</i>
BF00800-01200-0370-XL	8.000 <i>0.315</i>	12.000 <i>0.472</i>	37.000 <i>1.457</i>	15.00 <i>0.591</i>	2.00 <i>0.079</i>
BF00953-01270-0095-XL	9.525 <i>0.375</i>	12.700 <i>0.500</i>	9.525 <i>0.375</i>	19.05 <i>0.750</i>	3.18 <i>0.125</i>
BF01000-01270-0222-XL	10.000 <i>0.394</i>	12.700 <i>0.500</i>	22.225 <i>0.875</i>	19.05 <i>0.750</i>	3.18 <i>0.125</i>
BF01000-01600-0170-XL	10.000 <i>0.394</i>	16.000 <i>0.630</i>	17.000 <i>0.669</i>	24.00 <i>0.945</i>	3.00 <i>0.118</i>
BF01000-01600-0220-XL	10.000 <i>0.394</i>	16.000 <i>0.630</i>	22.000 <i>0.866</i>	20.00 <i>0.787</i>	2.00 <i>0.079</i>
BF01000-01600-0370-XL	10.000 <i>0.394</i>	16.000 <i>0.630</i>	37.000 <i>1.457</i>	20.00 <i>0.787</i>	2.00 <i>0.079</i>
BF01200-01600-0090-XL	12.000 <i>0.472</i>	16.000 <i>0.630</i>	9.000 <i>0.354</i>	20.00 <i>0.787</i>	3.00 <i>0.118</i>
BF01270-01905-0286-XL	12.700 <i>0.500</i>	19.050 <i>0.750</i>	28.575 <i>1.125</i>	25.40 <i>1.000</i>	3.18 <i>0.125</i>
BF01588-01905-0286-XL	15.875 <i>0.625</i>	19.050 <i>0.750</i>	28.575 <i>1.125</i>	25.40 <i>1.000</i>	3.18 <i>0.125</i>
BF01600-02000-0370-XL	16.000 <i>0.630</i>	20.000 <i>0.787</i>	37.000 <i>1.457</i>	26.00 <i>1.024</i>	2.00 <i>0.079</i>

Indicates item not stocked at time of printing - Please enquire for lead time

E&OE Pricing and all details subject to change without notice - Copyright Miniature Bearings Australia Pty Ltd

MBA Size Listings are a guide to sizes only and must not be solely relied on for critical design information.

Bushes - Plastic - X-Lube - Flanged

Part Number	Nom. ID (d) mm <i>inches</i>	Nom. OD (D) mm <i>inches</i>	Length (s) mm <i>inches</i>	Flange OD (D1) mm <i>inches</i>	Flange Thickness (s1) mm <i>inches</i>
BF01905-02223-0191-XL	19.050 <i>0.750</i>	22.225 <i>0.875</i>	19.050 <i>0.750</i>	28.58 <i>1.125</i>	3.18 <i>0.125</i>
BF01905-02223-0286-XL	19.050 <i>0.750</i>	22.225 <i>0.875</i>	28.575 <i>1.125</i>	28.58 <i>1.125</i>	3.18 <i>0.125</i>
BF01905-02540-0191-XL	19.050 <i>0.750</i>	25.400 <i>1.000</i>	19.050 <i>0.750</i>	38.10 <i>1.500</i>	3.18 <i>0.125</i>
BF02000-02300-0250-XL	20.000 <i>0.787</i>	23.000 <i>0.906</i>	25.000 <i>0.984</i>	28.00 <i>1.102</i>	2.00 <i>0.079</i>
BF02000-02500-0220-XL	20.000 <i>0.787</i>	25.000 <i>0.984</i>	22.000 <i>0.866</i>	32.00 <i>1.260</i>	2.00 <i>0.079</i>
BF02000-02500-0370-XL	20.000 <i>0.787</i>	25.000 <i>0.984</i>	37.000 <i>1.457</i>	32.00 <i>1.260</i>	2.00 <i>0.079</i>
BF02500-03000-0370-XL	25.000 <i>0.984</i>	30.000 <i>1.181</i>	37.000 <i>1.457</i>	40.00 <i>1.575</i>	2.00 <i>0.079</i>
BF02540-03175-0540-XL	25.400 <i>1.000</i>	31.750 <i>1.250</i>	53.971 <i>2.125</i>	44.45 <i>1.750</i>	3.18 <i>0.125</i>
BF03493-04128-0540-XL	34.925 <i>1.375</i>	41.275 <i>1.625</i>	53.971 <i>2.125</i>	47.63 <i>1.875</i>	3.18 <i>0.125</i>
BF03810-04445-0413-XL	38.100 <i>1.500</i>	44.450 <i>1.750</i>	41.275 <i>1.625</i>	50.80 <i>2.000</i>	3.18 <i>0.125</i>

Indicates item not stocked at time of printing - Please enquire for lead time

E&OE Pricing and all details subject to change without notice - Copyright Miniature Bearings Australia Pty Ltd

MBA Size Listings are a guide to sizes only and must not be solely relied on for critical design information.



DISTRIBUTED BY

Ask us to put your name and address here

<http://www.minibearings.com.au/product>

Ph +61 7 3245 7977

Fax +61 7 3245 1017

Catalogue requests to catalogues@minibearings.com.au
