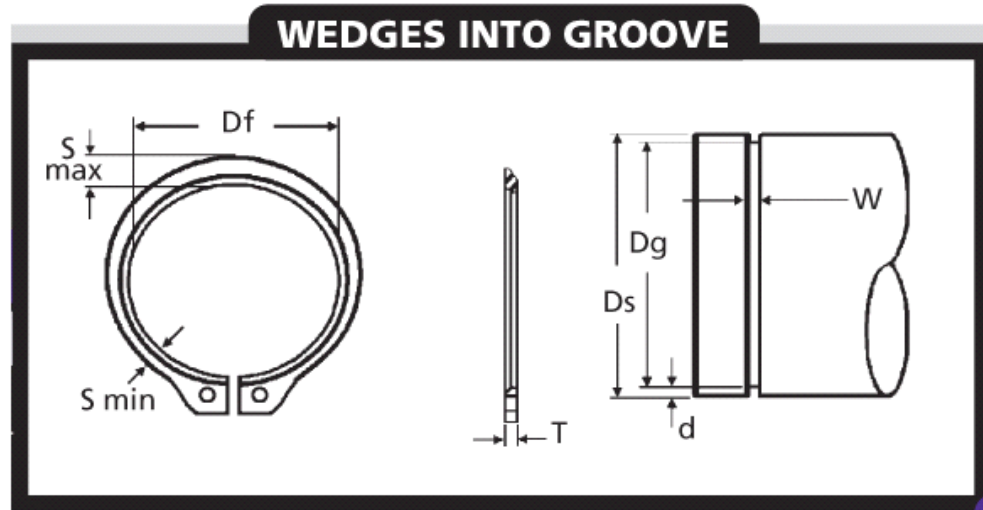




MBA

Circlips - External - Bevelled



1402 / 5102 / VSH / 16630.

A 15 Deg. bevel on the inside diameter to be fitted to a 15% bevel on the load bearing groove wall.

Will yield rigid end-play take-up of manufacturing tolerances or wear on the retained part.

Used in greasy or oily environments.

Circlips - External - Bevelled

Part Number	Shaft (Ds) mm	Free Inside Dia (Df) mm	Radial Wall (S) min/max mm	Thickness (T) mm	Groove Diameter (Dg) mm	Groove Depth (d) mm	Groove width (W) mm	Material	Tool
	<i>inches</i>	<i>inches</i>	<i>inches</i>	<i>inches</i>	<i>inches</i>	<i>inches</i>	<i>inches</i>		
# VSH-100	25.40 <i>1.000</i>	23.24 - 23.62	1.65 - 2.95	1.02 - 1.12	23.62 - 23.55	0.89 <i>0.035</i>	0.94 - 0.99	Spring Steel	PRS-E070
# VSH-102	25.98 <i>1.023</i>	23.77 - 24.16	1.68 - 3.00	1.02 - 1.12	24.16 - 24.08	0.91 <i>0.036</i>	0.91 - 0.97	Spring Steel	PRS-E070
# VSH-106	26.97 <i>1.062</i>	24.56 - 25.20	1.75 - 3.10	1.22 - 1.32	25.20 - 25.10	0.89 <i>0.035</i>	1.12 - 1.17	Spring Steel	PRS-E070

Indicates item not stocked at time of printing - Please enquire for lead time

E&OE Pricing and all details subject to change without notice - Copyright Miniature Bearings Australia Pty Ltd

MBA Size Listings are a guide to sizes only and must not be solely relied on for critical design information.

Circlips - External - Bevelled

Part Number	Shaft (Ds) mm <i>inches</i>	Free Inside Dia (Df) mm <i>inches</i>	Radial Wall (S) min/max mm <i>inches</i>	Thickness (T) mm <i>inches</i>	Groove Diameter (Dg) mm <i>inches</i>	Groove Depth (d) mm <i>inches</i>	Groove width (W) mm <i>inches</i>	Material	Tool
# VSH-112	28.58 <i>1.125</i>	26.06 - 26.70	1.80 - 3.25	1.22 - 1.32	26.70 - 26.59	0.94 <i>0.037</i>	1.12 - 1.17	Spring Steel	PRS-E070
# VSH-118	30.18 <i>1.188</i>	27.51 - 28.14	1.83 - 3.35	1.22 - 1.32	28.14 - 28.04	1.02 <i>0.040</i>	1.12 - 1.17	Spring Steel	PRS-E070
# VSH-125	31.75 <i>1.250</i>	28.98 - 29.62	1.93 - 3.56	1.22 - 1.32	29.62 - 29.51	1.07 <i>0.042</i>	1.09 - 1.14	Spring Steel	PRS-E070
# VSH-131	33.32 <i>1.312</i>	30.45 - 31.09	1.94 - 3.71	1.22 - 1.32	31.09 - 30.99	1.12 <i>0.044</i>	1.07 - 1.12	Spring Steel	PRS-E070
# VSH-137	34.93 <i>1.375</i>	31.93 - 32.56	2.08 - 3.86	1.22 - 1.32	32.56 - 32.46	1.17 <i>0.046</i>	1.07 - 1.12	Spring Steel	PRS-E070
# VSH-143	36.53 <i>1.438</i>	33.48 - 34.11	2.18 - 4.06	1.22 - 1.32	34.11 - 34.01	1.19 <i>0.047</i>	1.07 - 1.12	Spring Steel	PRS-E070
# VSH-150	38.10 <i>1.500</i>	34.85 - 35.48	2.31 - 4.27	1.22 - 1.32	35.48 - 35.38	1.30 <i>0.051</i>	1.04 - 1.09	Spring Steel	PRS-E115
# VSH-156	39.67 <i>1.562</i>	36.22 - 37.06	2.36 - 4.37	1.50 - 1.65	37.06 - 36.93	1.30 <i>0.051</i>	1.35 - 1.40	Spring Steel	PRS-E115
# VSH-162	41.28 <i>1.625</i>	37.67 - 38.51	2.46 - 4.57	1.50 - 1.65	38.51 - 38.38	1.37 <i>0.054</i>	1.35 - 1.40	Spring Steel	PRS-E115
# VSH-138	42.88 <i>1.688</i>	39.12 - 39.95	2.51 - 4.67	1.50 - 1.65	39.95 - 39.83	1.45 <i>0.057</i>	1.32 - 1.37	Spring Steel	PRS-E115

Indicates item not stocked at time of printing - Please enquire for lead time

E&OE Pricing and all details subject to change without notice - Copyright Miniature Bearings Australia Pty Ltd

MBA Size Listings are a guide to sizes only and must not be solely relied on for critical design information.

Circlips - External - Bevelled

Part Number	Shaft (Ds) mm <i>inches</i>	Free Inside Dia (Df) mm <i>inches</i>	Radial Wall (S) min/max mm <i>inches</i>	Thickness (T) mm <i>inches</i>	Groove Diameter (Dg) mm <i>inches</i>	Groove Depth (d) mm <i>inches</i>	Groove width (W) mm <i>inches</i>	Material	Tool
# VSH-175	44.45 <i>1.750</i>	40.59 - 41.43	2.57 - 4.78	1.50 - 1.65	41.43 - 41.30	1.50 <i>0.059</i>	1.32 - 1.37	Spring Steel	PRS-E115
# VSH-177	45.01 <i>1.772</i>	41.07 - 41.91	2.59 - 22.86	1.50 - 1.65	41.91 - 41.78	1.55 <i>0.061</i>	1.32 - 1.37	Spring Steel	PRS-E115
# VSH-181	46.02 <i>1.812</i>	42.04 - 42.88	2.59 - 4.88	1.50 - 1.65	42.88 - 42.75	1.57 <i>0.062</i>	1.32 - 1.37	Spring Steel	PRS-E115
# VSH-187	47.63 <i>1.875</i>	43.56 - 44.40	2.64 - 4.98	1.50 - 1.65	44.40 - 44.27	1.60 <i>0.063</i>	1.32 - 1.37	Spring Steel	PRS-E115
# VSH-196	50.01 <i>1.969</i>	45.69 - 46.53	2.69 - 5.08	1.50 - 1.65	46.53 - 46.41	1.73 <i>0.068</i>	1.30 - 1.35	Spring Steel	PRS-E115
# VSH-200	50.80 <i>2.000</i>	46.48 - 47.32	2.74 - 5.18	1.50 - 1.65	47.32 - 47.19	1.73 <i>0.068</i>	1.30 - 1.35	Spring Steel	PRS-E115
# VSH-206	52.37 <i>2.062</i>	47.78 - 48.79	2.82 - 5.28	1.91 - 2.06	48.79 - 48.64	1.78 <i>0.070</i>	1.70 - 1.77	Spring Steel	PRS-E115
# VSH-212	53.98 <i>2.125</i>	49.25 - 50.27	2.87 - 5.38	1.91 - 2.06	50.27 - 50.11	1.85 <i>0.073</i>	1.70 - 1.77	Spring Steel	PRS-E115
# VSH-215	54.76 <i>2.156</i>	49.99 - 51.00	2.87 - 5.38	1.91 - 2.06	51.00 - 50.85	1.88 <i>0.074</i>	1.70 - 1.77	Spring Steel	PRS-E115
# VSH-225	57.15 <i>2.250</i>	52.22 - 53.24	2.95 - 5.59	1.91 - 2.06	53.24 - 53.09	1.96 <i>0.077</i>	1.68 - 1.74	Spring Steel	PRS-E115

Indicates item not stocked at time of printing - Please enquire for lead time

E&OE Pricing and all details subject to change without notice - Copyright Miniature Bearings Australia Pty Ltd

MBA Size Listings are a guide to sizes only and must not be solely relied on for critical design information.

Circlips - External - Bevelled

Part Number	Shaft (Ds) mm <i>inches</i>	Free Inside Dia (Df) mm <i>inches</i>	Radial Wall (S) min/max mm <i>inches</i>	Thickness (T) mm <i>inches</i>	Groove Diameter (Dg) mm <i>inches</i>	Groove Depth (d) mm <i>inches</i>	Groove width (W) mm <i>inches</i>	Material	Tool
# VSH-231	58.72 <i>2.312</i>	53.70 - 54.71	3.00 - 5.64	1.91 - 2.06	54.71 - 54.56	2.01 <i>0.079</i>	1.65 - 1.71	Spring Steel	PRS-E115
# VSH-237	60.33 <i>2.375</i>	55.17 - 56.18	3.02 - 5.69	1.91 - 2.06	56.18 - 56.03	2.06 <i>0.081</i>	1.65 - 1.71	Spring Steel	PRS-E115
# VSH-243	61.93 <i>2.438</i>	56.64 - 57.66	3.05 - 5.79	1.91 - 2.06	57.66 - 57.51	2.13 <i>0.084</i>	1.65 - 1.71	Spring Steel	PRS-E115
# VSH-250	63.50 <i>2.500</i>	58.12 - 59.13	3.10 - 5.89	1.91 - 2.06	59.13 - 58.98	2.18 <i>0.086</i>	1.63 - 1.69	Spring Steel	PRS-E115
# VSH-255	65.00 <i>2.559</i>	59.61 - 60.88	3.18 - 6.05	1.91 - 2.06	60.88 - 60.73	2.06 <i>0.081</i>	1.63 - 1.69	Spring Steel	PRS-E115
# VSH-262	66.68 <i>2.625</i>	60.91 - 62.18	3.23 - 6.15	1.91 - 2.06	62.18 - 62.03	2.24 <i>0.088</i>	1.63 - 1.69	Spring Steel	PRS-E115
# VSH-268	68.28 <i>2.688</i>	62.36 - 63.63	3.28 - 6.25	1.91 - 2.06	63.63 - 63.47	2.31 <i>0.091</i>	1.63 - 1.69	Spring Steel	PRS-E115
# VSH-275	69.85 <i>2.750</i>	63.83 - 65.10	3.33 - 6.30	2.29 - 2.44	65.10 - 64.95	2.36 <i>0.093</i>	2.01 - 2.07	Spring Steel	PRS-E115
# VSH-287	73.03 <i>2.875</i>	66.78 - 68.05	3.38 - 6.50	2.29 - 2.44	68.05 - 67.89	2.49 <i>0.098</i>	1.98 - 2.04	Spring Steel	PRS-E115
# VSH-293	74.63 <i>2.938</i>	68.25 - 69.52	3.45 - 6.60	2.29 - 2.44	71.04 - 70.89	2.54 <i>0.100</i>	1.98 - 2.04	Spring Steel	PRS-E115

Indicates item not stocked at time of printing - Please enquire for lead time

E&OE Pricing and all details subject to change without notice - Copyright Miniature Bearings Australia Pty Ltd

MBA Size Listings are a guide to sizes only and must not be solely relied on for critical design information.

Circlips - External - Bevelled

Part Number	Shaft (Ds) mm <i>inches</i>	Free Inside Dia (Df) mm <i>inches</i>	Radial Wall (S) min/max mm <i>inches</i>	Thickness (T) mm <i>inches</i>	Groove Diameter (Dg) mm <i>inches</i>	Groove Depth (d) mm <i>inches</i>	Groove width (W) mm <i>inches</i>	Material	Tool
# VSH-300	76.20 <i>3.000</i>	69.72 - 70.99	3.51 - 6.71	2.29 - 2.44	70.99 - 70.84	2.59 <i>0.102</i>	1.96 - 2.02	Spring Steel	PRS-E115
# VSH-306	77.77 <i>3.062</i>	71.17 - 72.44	3.33 - 13.34	2.29 - 2.44	72.44 - 72.29	2.67 <i>0.105</i>	1.96 - 2.03	Spring Steel	PRS-E115
# VSH-312	79.38 <i>3.125</i>	72.69 - 73.96	3.58 - 6.91	2.29 - 2.44	73.96 - 73.81	2.69 <i>0.106</i>	1.93 - 2.01	Spring Steel	PRS-E115
# VSH-315	80.16 <i>3.156</i>	73.41 - 74.68	3.63 - 6.96	2.29 - 2.44	74.68 - 74.52	2.74 <i>0.108</i>	1.93 - 2.01	Spring Steel	PRS-E115
# VSH-325	82.55 <i>3.250</i>	75.59 - 76.86	3.68 - 7.11	2.29 - 2.44	76.86 - 76.71	2.84 <i>0.112</i>	1.93 - 2.01	Spring Steel	PRS-E115
# VSH-334	84.99 <i>3.346</i>	77.77 - 79.04	3.73 - 7.62	2.29 - 2.44	79.04 - 78.89	2.97 <i>0.117</i>	1.91 - 1.98	Spring Steel	PRS-E115
# VSH-343	87.33 <i>3.438</i>	79.98 - 81.25	3.76 - 7.42	2.29 - 2.44	81.25 - 81.10	3.02 <i>0.119</i>	1.91 - 1.98	Spring Steel	PRS-E115
# VSH-350	88.90 <i>3.500</i>	81.46 - 82.73	3.76 - 7.24	2.69 - 2.84	82.73 - 82.58	3.07 <i>0.121</i>	2.31 - 2.39	Spring Steel	PRS-E115
# VSH-354	89.99 <i>3.543</i>	82.47 - 83.74	3.78 - 7.32	2.69 - 2.84	83.74 - 83.59	3.12 <i>0.123</i>	2.31 - 2.39	Spring Steel	PRR-E120-X
# VSH-362	92.08 <i>3.625</i>	84.38 - 85.65	3.89 - 7.52	2.69 - 2.84	85.65 - 85.50	3.20 <i>0.126</i>	2.29 - 2.36	Spring Steel	PRR-E120-X

Indicates item not stocked at time of printing - Please enquire for lead time

E&OE Pricing and all details subject to change without notice - Copyright Miniature Bearings Australia Pty Ltd

MBA Size Listings are a guide to sizes only and must not be solely relied on for critical design information.

Circlips - External - Bevelled

Part Number	Shaft (Ds) mm <i>inches</i>	Free Inside Dia (Df) mm <i>inches</i>	Radial Wall (S) min/max mm <i>inches</i>	Thickness (T) mm <i>inches</i>	Groove Diameter (Dg) mm <i>inches</i>	Groove Depth (d) mm <i>inches</i>	Groove width (W) mm <i>inches</i>	Material	Tool
# VSH-368	93.68 <i>3.688</i>	85.85 - 87.12	3.96 - 7.67	2.69 - 2.84	87.12 - 86.97	3.28 <i>0.129</i>	2.29 - 2.36	Spring Steel	PRR-E120-X
# VSH-375	95.25 <i>3.750</i>	87.33 - 88.60	4.06 - 7.87	2.69 - 2.84	88.60 - 88.44	3.33 <i>0.131</i>	2.26 - 2.34	Spring Steel	PRR-E120-X
# VSH-387	98.43 <i>3.875</i>	89.15 - 90.42	4.14 - 8.08	2.69 - 2.84	91.54 - 91.39	3.43 <i>0.135</i>	2.26 - 2.34	Spring Steel	PRR-E120-X
# VSH-393	100.03 <i>3.938</i>	91.74 - 93.01	4.14 - 8.08	2.69 - 2.84	93.01 - 92.86	3.51 <i>0.138</i>	2.24 - 2.31	Spring Steel	PRR-E120-X
# VSH-400	101.60 <i>4.000</i>	93.22 - 94.49	4.14 - 8.08	2.69 - 2.84	94.49 - 94.34	3.56 <i>0.140</i>	2.24 - 2.31	Spring Steel	PRR-E120-X
# VSH-425	107.95 <i>4.250</i>	100.56 - 101.83	4.47 - 8.08	2.69 - 2.84	101.83 - 101.68	3.05 <i>0.120</i>	2.39 - 2.46	Spring Steel	PRR-E120-X
# VSH-437	111.13 <i>4.375</i>	103.53 - 104.80	4.60 - 8.08	2.69 - 2.84	104.80 - 104.65	3.15 <i>0.124</i>	2.39 - 2.46	Spring Steel	PRR-E120-X
# VSH-450	114.30 <i>4.500</i>	106.50 - 107.77	4.70 - 10.29	2.69 - 2.84	107.77 - 107.62	3.25 <i>0.128</i>	2.39 - 2.46	Spring Steel	PRR-E120-X
# VSH-475	120.65 <i>4.750</i>	112.47 - 113.74	3.45 - 7.70	2.69 - 2.84	113.74 - 113.59	3.45 <i>0.136</i>	2.34 - 2.41	Spring Steel	PRR-E120-X
# VSH-500	127.00 <i>5.000</i>	118.41 - 119.68	4.93 - 9.14	2.69 - 2.84	119.68 - 119.53	3.66 <i>0.144</i>	2.31 - 2.39	Spring Steel	PRR-E120-X

Indicates item not stocked at time of printing - Please enquire for lead time

E&OE Pricing and all details subject to change without notice - Copyright Miniature Bearings Australia Pty Ltd

MBA Size Listings are a guide to sizes only and must not be solely relied on for critical design information.

Circlips - External - Bevelled

Part Number	Shaft (Ds) mm <i>inches</i>	Free Inside Dia (Df) mm <i>inches</i>	Radial Wall (S) min/max mm <i>inches</i>	Thickness (T) mm <i>inches</i>	Groove Diameter (Dg) mm <i>inches</i>	Groove Depth (d) mm <i>inches</i>	Groove width (W) mm <i>inches</i>	Material	Tool
# VSH-525	133.35 <i>5.250</i>	124.13 - 125.65	5.36 - 9.45	3.07 - 3.28	125.65 - 125.48	3.84 <i>0.151</i>	2.67 - 2.77	Spring Steel	PRR-E120-X
# VSH-550	139.70 <i>5.500</i>	130.10 - 131.62	5.31 - 9.91	3.07 - 3.28	131.62 - 131.45	4.04 <i>0.159</i>	2.64 - 2.74	Spring Steel	PRR-E120-X
# VSH-575	146.05 <i>5.750</i>	136.04 - 137.57	5.59 - 10.36	3.07 - 3.28	137.57 - 137.39	4.24 <i>0.167</i>	2.62 - 2.72	Spring Steel	PRR-E120-X
# VSH-600	152.40 <i>6.000</i>	142.01 - 143.54	4.34 - 9.68	3.07 - 3.28	143.54 - 143.36	4.42 <i>0.174</i>	2.59 - 2.69	Spring Steel	PRR-E120-X
# VSH-625	158.75 <i>6.250</i>	147.73 - 149.50	4.47 - 10.06	3.84 - 4.09	149.50 - 149.30	4.62 <i>0.182</i>	3.35 - 3.48	Spring Steel	PRR-E120-X
# VSH-650	165.10 <i>6.500</i>	153.67 - 155.45	5.99 - 11.13	3.84 - 4.09	155.45 - 155.24	4.83 <i>0.190</i>	3.35 - 3.48	Spring Steel	PRR-E120-X
# VSH-675	171.45 <i>6.750</i>	159.64 - 161.42	6.25 - 11.58	3.84 - 4.09	161.42 - 161.21	5.00 <i>0.197</i>	3.30 - 3.43	Spring Steel	PRR-E170
# VSH-700	177.80 <i>7.000</i>	165.61 - 167.39	6.50 - 12.04	3.84 - 4.09	167.39 - 167.18	5.21 <i>0.205</i>	3.28 - 3.40	Spring Steel	PRR-E170
# VSH-750	190.50 <i>7.500</i>	177.27 - 179.30	7.04 - 12.88	4.62 - 4.88	179.30 - 179.10	5.59 <i>0.220</i>	4.01 - 4.14	Spring Steel	PRR-E170
# VSH-800	203.20 <i>8.000</i>	189.18 - 191.21	7.47 - 13.72	4.62 - 4.88	191.21 - 191.01	5.99 <i>0.236</i>	3.99 - 4.11	Spring Steel	PRR-E170

Indicates item not stocked at time of printing - Please enquire for lead time

E&OE Pricing and all details subject to change without notice - Copyright Miniature Bearings Australia Pty Ltd

MBA Size Listings are a guide to sizes only and must not be solely relied on for critical design information.

Circlips - External - Bevelled

Part Number	Shaft (Ds) mm <i>inches</i>	Free Inside Dia (Df) mm <i>inches</i>	Radial Wall (S) min/max mm <i>inches</i>	Thickness (T) mm <i>inches</i>	Groove Diameter (Dg) mm <i>inches</i>	Groove Depth (d) mm <i>inches</i>	Groove width (W) mm <i>inches</i>	Material	Tool
# VSH-850	215.90 <i>8.500</i>	201.09 - 203.12	7.98 - 14.55	4.62 - 4.88	203.12 - 202.92	6.38 <i>0.251</i>	3.91 - 4.04	Spring Steel	PRR-E170
# VSH-900	228.60 <i>9.000</i>	212.98 - 215.01	8.46 - 15.47	4.62 - 4.88	215.01 - 214.81	6.78 <i>0.267</i>	3.89 - 4.01	Spring Steel	PRR-E170
# VSH-950	241.30 <i>9.500</i>	224.92 - 226.95	8.89 - 16.31	4.62 - 4.88	226.95 - 226.75	7.16 <i>0.282</i>	3.81 - 3.94	Spring Steel	PRR-E170
# VSH-1000	254.00 <i>10.000</i>	236.86 - 238.89	9.32 - 17.15	4.62 - 4.88	238.89 - 238.68	7.54 <i>0.297</i>	3.76 - 3.89	Spring Steel	PRR-E045

Indicates item not stocked at time of printing - Please enquire for lead time

E&OE Pricing and all details subject to change without notice - Copyright Miniature Bearings Australia Pty Ltd

MBA Size Listings are a guide to sizes only and must not be solely relied on for critical design information.



DISTRIBUTED BY

Ask us to put your name and address here

<http://www.minibearings.com.au/product>

Ph +61 7 3245 7977

Fax +61 7 3245 1017

Catalogue requests to catalogues@minibearings.com.au

