



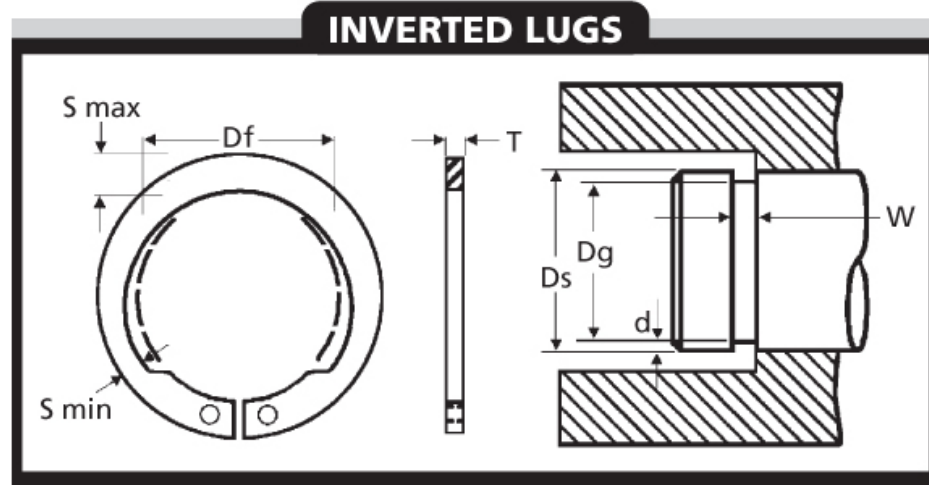
# MBA

## Circlips - External - Inverted

N1408 / SHI / 16626 / 4100 / 5108 - Spring Steel and Stainless Steel.

Tapered section ring with lugs inverted on the ID to allow use in tight areas with minimal clearance.

Less thrust load than standard circlips.



## Circlips - External - Inverted

Part Number	Shaft (Ds) mm	Free Inside Dia. (Df) mm	Radial Wall (S) min/max mm	Thickness (T) mm	Groove Dia. (Dg) mm	Groove Depth (d) mm	Width (W) mm	Material	Tool
	<i>inches</i>	<i>inches</i>	<i>inches</i>	<i>inches</i>	<i>inches</i>	<i>inches</i>	<i>inches</i>		
# SHI-050	12.70 <i>0.500</i>	11.46 - 11.84	1.04 - 2.03	0.84 - 0.94	11.84 - 11.94	0.41 <i>0.016</i>	1.17 - 1.24	Spring Steel	PRS-E038
# SHI-050-SS	12.70 <i>0.500</i>	11.46 - 11.84	1.04 - 2.03	0.84 - 0.94	11.84 - 11.94	0.41 <i>0.016</i>	1.17 - 1.24	416 Stainless Steel	PRS-E038
# SHI-056	14.22 <i>0.560</i>	12.98 - 13.36	1.09 - 2.24	0.84 - 0.94	13.41 - 13.51	0.41 <i>0.016</i>	1.17 - 1.24	Spring Steel	PRS-E038

# Indicates item not stocked at time of printing - Please enquire for lead time

E&OE Pricing and all details subject to change without notice - Copyright Miniature Bearings Australia Pty Ltd

MBA Size Listings are a guide to sizes only and must not be solely relied on for critical design information.

## Circlips - External - Inverted

Part Number	Shaft (Ds) mm <i>inches</i>	Free Inside Dia. (Df) mm <i>inches</i>	Radial Wall (S) min/max mm <i>inches</i>	Thickness (T) mm <i>inches</i>	Groove Dia. (Dg) mm <i>inches</i>	Groove Depth (d) mm <i>inches</i>	Width (W) mm <i>inches</i>	Material	Tool
# SHI-056-SS	14.22 <i>0.560</i>	12.98 - 13.36	1.09 - 2.24	0.84 - 0.94	13.41 - 13.51	0.41 <i>0.016</i>	1.17 - 1.24	416 Stainless Steel	PRS-E038
# SHI-059	15.09 <i>0.594</i>	13.72 - 14.10	1.17 - 2.34	0.84 - 0.94	14.12 - 14.27	0.43 <i>0.017</i>	1.17 - 1.24	Spring Steel	PRS-E038
# SHI-059-SS	15.09 <i>0.594</i>	13.72 - 14.10	1.17 - 2.34	0.84 - 0.94	14.12 - 14.27	0.43 <i>0.017</i>	1.17 - 1.24	416 Stainless Steel	PRS-E038
# SHI-062-SS	15.88 <i>0.625</i>	14.45 - 14.83	1.22 - 2.44	0.84 - 0.94	14.86 - 15.01	0.46 <i>0.018</i>	1.17 - 1.24	416 Stainless Steel	PRS-E038
# SHI-062	15.88 <i>0.625</i>	14.45 - 14.83	1.22 - 2.44	0.84 - 0.94	14.86 - 15.01	0.46 <i>0.018</i>	1.17 - 1.24	Spring Steel	PRS-E038
# SHI-068-SS	17.48 <i>0.688</i>	15.88 - 16.26	1.32 - 2.64	1.02 - 1.12	16.33 - 16.48	0.53 <i>0.021</i>	1.17 - 1.24	416 Stainless Steel	PRS-E038
# SHI-068	17.48 <i>0.688</i>	15.88 - 16.26	1.32 - 2.64	1.02 - 1.12	16.33 - 16.48	0.53 <i>0.021</i>	1.17 - 1.24	Spring Steel	PRS-E038
# SHI-075-SS	19.05 <i>0.750</i>	17.35 - 17.73	1.42 - 2.84	1.02 - 1.12	17.81 - 17.96	0.58 <i>0.023</i>	1.17 - 1.24	416 Stainless Steel	PRS-E038
# SHI-075	19.05 <i>0.750</i>	17.35 - 17.73	1.42 - 2.84	1.02 - 1.12	17.81 - 17.96	0.58 <i>0.023</i>	1.17 - 1.24	Spring Steel	PRS-E038

# Indicates item not stocked at time of printing - Please enquire for lead time

E&OE Pricing and all details subject to change without notice - Copyright Miniature Bearings Australia Pty Ltd

MBA Size Listings are a guide to sizes only and must not be solely relied on for critical design information.

## Circlips - External - Inverted

Part Number	Shaft (Ds) mm <i>inches</i>	Free Inside Dia. (Df) mm <i>inches</i>	Radial Wall (S) min/max mm <i>inches</i>	Thickness (T) mm <i>inches</i>	Groove Dia. (Dg) mm <i>inches</i>	Groove Depth (d) mm <i>inches</i>	Width (W) mm <i>inches</i>	Material	Tool
# SHI-078	19.84 <i>0.781</i>	18.08 - 18.47	1.45 - 2.95	1.02 - 1.12	18.54 - 18.69	0.61 <i>0.024</i>	1.17 - 1.24	Spring Steel	PRS-E038
# SHI-078-SS	19.84 <i>0.781</i>	18.08 - 18.47	1.45 - 2.95	1.02 - 1.12	18.54 - 18.69	0.61 <i>0.024</i>	1.17 - 1.24	416 Stainless Steel	PRS-E038
# SHI-081	20.62 <i>0.812</i>	18.82 - 19.20	1.52 - 3.05	1.02 - 1.12	19.28 - 19.43	0.64 <i>0.025</i>	1.17 - 1.24	Spring Steel	PRS-E047
# SHI-081-SS	20.62 <i>0.812</i>	18.82 - 19.20	1.52 - 3.05	1.02 - 1.12	19.28 - 19.43	0.64 <i>0.025</i>	1.17 - 1.24	416 Stainless Steel	PRS-E047
# SHI-087-SS	22.23 <i>0.875</i>	20.32 - 20.70	1.63 - 3.25	1.02 - 1.12	20.78 - 20.93	0.69 <i>0.027</i>	1.17 - 1.24	416 Stainless Steel	PRS-E047
# SHI-087	22.23 <i>0.875</i>	20.32 - 20.70	1.63 - 3.25	1.02 - 1.12	20.78 - 20.93	0.69 <i>0.027</i>	1.17 - 1.24	Spring Steel	PRS-E047
# SHI-093-SS	23.83 <i>0.938</i>	21.77 - 22.15	1.73 - 3.45	1.02 - 1.12	22.33 - 22.48	0.71 <i>0.028</i>	1.17 - 1.24	416 Stainless Steel	PRS-E047
# SHI-093	23.83 <i>0.938</i>	21.77 - 22.15	1.73 - 3.45	1.02 - 1.12	22.33 - 22.48	0.71 <i>0.028</i>	1.17 - 1.24	Spring Steel	PRS-E047
# SHI-098-SS	24.99 <i>0.984</i>	23.24 - 23.62	1.83 - 3.66	1.02 - 1.12	23.44 - 23.60	0.74 <i>0.029</i>	1.17 - 1.24	416 Stainless Steel	PRS-E047

# Indicates item not stocked at time of printing - Please enquire for lead time

E&OE Pricing and all details subject to change without notice - Copyright Miniature Bearings Australia Pty Ltd

MBA Size Listings are a guide to sizes only and must not be solely relied on for critical design information.

## Circlips - External - Inverted

Part Number	Shaft (Ds) mm <i>inches</i>	Free Inside Dia. (Df) mm <i>inches</i>	Radial Wall (S) min/max mm <i>inches</i>	Thickness (T) mm <i>inches</i>	Groove Dia. (Dg) mm <i>inches</i>	Groove Depth (d) mm <i>inches</i>	Width (W) mm <i>inches</i>	Material	Tool
# SHI-098	24.99 <i>0.984</i>	23.24 - 23.62	1.83 - 3.66	1.02 - 1.12	23.44 - 23.60	0.74 <i>0.029</i>	1.17 - 1.24	Spring Steel	PRS-E047
# SHI-100	25.40 <i>1.000</i>	23.24 - 23.62	1.83 - 3.66	1.02 - 1.12	23.80 - 23.95	0.76 <i>0.030</i>	1.17 - 1.24	Spring Steel	PRS-E047
# SHI-100-SS	25.40 <i>1.000</i>	23.24 - 23.62	1.83 - 3.66	1.02 - 1.12	23.80 - 23.95	0.76 <i>0.030</i>	1.17 - 1.24	416 Stainless Steel	PRS-E047
# SHI-106-SS	26.97 <i>1.062</i>	24.69 - 25.07	1.85 - 3.73	1.22 - 1.32	25.25 - 25.45	0.81 <i>0.032</i>	1.17 - 1.27	416 Stainless Steel	PRS-E070
# SHI-106	26.97 <i>1.062</i>	24.69 - 25.07	1.85 - 3.73	1.22 - 1.32	25.25 - 25.45	0.81 <i>0.032</i>	1.17 - 1.27	Spring Steel	PRS-E070
# SHI-112-SS	28.58 <i>1.125</i>	26.06 - 26.70	1.91 - 3.81	1.22 - 1.32	26.80 - 27.00	0.84 <i>0.033</i>	1.17 - 1.27	416 Stainless Steel	PRS-E070
# SHI-112	28.58 <i>1.125</i>	26.06 - 26.70	1.91 - 3.81	1.22 - 1.32	26.80 - 27.00	0.84 <i>0.033</i>	1.17 - 1.27	Spring Steel	PRS-E070
# SHI-118	30.18 <i>1.188</i>	27.51 - 28.14	1.93 - 3.89	1.22 - 1.32	28.30 - 28.50	0.89 <i>0.035</i>	1.17 - 1.27	Spring Steel	PRS-E070
# SHI-118-SS	30.18 <i>1.188</i>	27.51 - 28.14	1.93 - 3.89	1.22 - 1.32	28.30 - 28.50	0.89 <i>0.035</i>	1.17 - 1.27	416 Stainless Steel	PRS-E070

# Indicates item not stocked at time of printing - Please enquire for lead time

E&OE Pricing and all details subject to change without notice - Copyright Miniature Bearings Australia Pty Ltd

MBA Size Listings are a guide to sizes only and must not be solely relied on for critical design information.

## Circlips - External - Inverted

Part Number	Shaft (Ds) mm <i>inches</i>	Free Inside Dia. (Df) mm <i>inches</i>	Radial Wall (S) min/max mm <i>inches</i>	Thickness (T) mm <i>inches</i>	Groove Dia. (Dg) mm <i>inches</i>	Groove Depth (d) mm <i>inches</i>	Width (W) mm <i>inches</i>	Material	Tool
# SHI-125-SS	31.75 <i>1.250</i>	28.98 - 29.62	2.01 - 3.99	1.22 - 1.32	29.77 - 29.97	0.94 <i>0.037</i>	1.17 - 1.27	416 Stainless Steel	PRS-E070
# SHI-125	31.75 <i>1.250</i>	28.98 - 29.62	2.01 - 3.99	1.22 - 1.32	29.77 - 29.97	0.94 <i>0.037</i>	1.17 - 1.27	Spring Steel	PRS-E070
# SHI-131-SS	33.32 <i>1.312</i>	30.45 - 31.09	2.03 - 4.09	1.22 - 1.32	31.19 - 31.39	1.02 <i>0.040</i>	1.17 - 1.27	416 Stainless Steel	PRS-E070
# SHI-131	33.32 <i>1.312</i>	30.45 - 31.09	2.03 - 4.09	1.22 - 1.32	31.19 - 31.39	1.02 <i>0.040</i>	1.17 - 1.27	Spring Steel	PRS-E070
# SHI-137	34.93 <i>1.375</i>	31.93 - 32.56	2.08 - 4.19	1.22 - 1.32	32.69 - 32.89	1.07 <i>0.042</i>	1.17 - 1.27	Spring Steel	PRS-E070
# SHI-137-SS	34.93 <i>1.375</i>	31.93 - 32.56	2.08 - 4.19	1.22 - 1.32	32.69 - 32.89	1.07 <i>0.042</i>	1.17 - 1.27	416 Stainless Steel	PRS-E070
# SHI-143-SS	36.53 <i>1.438</i>	33.48 - 34.11	2.16 - 4.29	1.22 - 1.32	34.19 - 34.39	1.12 <i>0.044</i>	1.17 - 1.27	416 Stainless Steel	PRS-E070
# SHI-143	36.53 <i>1.438</i>	33.48 - 34.11	2.16 - 4.29	1.22 - 1.32	34.19 - 34.39	1.12 <i>0.044</i>	1.17 - 1.27	Spring Steel	PRS-E070
# SHI-150	38.10 <i>1.500</i>	34.85 - 35.48	2.18 - 4.39	1.22 - 1.32	35.61 - 35.81	1.19 <i>0.047</i>	1.17 - 1.27	Spring Steel	PRS-E070

# Indicates item not stocked at time of printing - Please enquire for lead time

E&OE Pricing and all details subject to change without notice - Copyright Miniature Bearings Australia Pty Ltd

MBA Size Listings are a guide to sizes only and must not be solely relied on for critical design information.

## Circlips - External - Inverted

Part Number	Shaft (Ds) mm <i>inches</i>	Free Inside Dia. (Df) mm <i>inches</i>	Radial Wall (S) min/max mm <i>inches</i>	Thickness (T) mm <i>inches</i>	Groove Dia. (Dg) mm <i>inches</i>	Groove Depth (d) mm <i>inches</i>	Width (W) mm <i>inches</i>	Material	Tool
# SHI-150-SS	38.10 <i>1.500</i>	34.85 - 35.48	2.18 - 4.39	1.22 - 1.32	35.61 - 35.81	1.19 <i>0.047</i>	1.17 - 1.27	416 Stainless Steel	PRS-E070
# SHI-156-SS	39.67 <i>1.562</i>	36.22 - 37.06	2.26 - 4.52	1.50 - 1.65	37.16 - 37.41	1.19 <i>0.047</i>	1.17 - 1.27	416 Stainless Steel	PRS-E070
# SHI-156	39.67 <i>1.562</i>	36.22 - 37.06	2.26 - 4.52	1.50 - 1.65	37.16 - 37.41	1.19 <i>0.047</i>	1.17 - 1.27	Spring Steel	PRS-E070
# SHI-162-SS	41.28 <i>1.625</i>	37.67 - 38.51	2.34 - 4.65	1.50 - 1.65	38.71 - 38.96	1.22 <i>0.048</i>	1.17 - 1.27	416 Stainless Steel	PRS-E070
# SHI-162	41.28 <i>1.625</i>	37.67 - 38.51	2.34 - 4.65	1.50 - 1.65	38.71 - 38.96	1.22 <i>0.048</i>	1.17 - 1.27	Spring Steel	PRS-E070
# SHI-175-SS	44.45 <i>1.750</i>	41.07 - 41.91	2.49 - 4.98	1.50 - 1.65	41.78 - 42.04	1.27 <i>0.050</i>	1.17 - 1.27	416 Stainless Steel	PRS-E070
# SHI-175	44.45 <i>1.750</i>	41.07 - 41.91	2.49 - 4.98	1.50 - 1.65	41.78 - 42.04	1.27 <i>0.050</i>	1.17 - 1.27	Spring Steel	PRS-E070
# SHI-177	45.01 <i>1.772</i>	41.07 - 41.91	2.49 - 4.98	1.50 - 1.65	42.27 - 42.52	1.30 <i>0.051</i>	1.17 - 1.27	Spring Steel	PRS-E070
# SHI-177-SS	45.01 <i>1.772</i>	41.07 - 41.91	2.49 - 4.98	1.50 - 1.65	42.27 - 42.52	1.30 <i>0.051</i>	1.17 - 1.27	416 Stainless Steel	PRS-E070

# Indicates item not stocked at time of printing - Please enquire for lead time

E&OE Pricing and all details subject to change without notice - Copyright Miniature Bearings Australia Pty Ltd

MBA Size Listings are a guide to sizes only and must not be solely relied on for critical design information.

## Circlips - External - Inverted

Part Number	Shaft (Ds) mm <i>inches</i>	Free Inside Dia. (Df) mm <i>inches</i>	Radial Wall (S) min/max mm <i>inches</i>	Thickness (T) mm <i>inches</i>	Groove Dia. (Dg) mm <i>inches</i>	Groove Depth (d) mm <i>inches</i>	Width (W) mm <i>inches</i>	Material	Tool
# SHI-181-SS	46.02 <i>1.812</i>	42.04 - 42.88	2.54 - 5.05	1.50 - 1.65	43.26 - 43.51	1.32 <i>0.052</i>	1.17 - 1.27	416 Stainless Steel	PRS-E070
# SHI-181	46.02 <i>1.812</i>	42.04 - 42.88	2.54 - 5.05	1.50 - 1.65	43.26 - 43.51	1.32 <i>0.052</i>	1.17 - 1.27	Spring Steel	PRS-E070
# SHI-196-SS	50.01 <i>1.969</i>	45.69 - 46.53	2.69 - 5.38	1.50 - 1.65	47.04 - 47.29	1.42 <i>0.056</i>	1.17 - 1.27	416 Stainless Steel	PRS-E070
# SHI-196	50.01 <i>1.969</i>	45.69 - 46.53	2.69 - 5.38	1.50 - 1.65	47.04 - 47.29	1.42 <i>0.056</i>	1.17 - 1.27	Spring Steel	PRS-E070
# SHI-200	50.80 <i>2.000</i>	46.48 - 47.32	2.74 - 5.49	1.50 - 1.65	47.78 - 48.03	1.45 <i>0.057</i>	1.17 - 1.27	Spring Steel	PRS-E070
# SHI-200-SS	50.80 <i>2.000</i>	46.48 - 47.32	2.74 - 5.49	1.50 - 1.65	47.78 - 48.03	1.45 <i>0.057</i>	1.17 - 1.27	416 Stainless Steel	PRS-E070
# SHI-212-SS	53.98 <i>2.125</i>	49.99 - 51.00	2.97 - 5.82	1.91 - 2.06	50.72 - 51.03	1.55 <i>0.061</i>	1.17 - 1.30	416 Stainless Steel	PRS-E115
# SHI-212	53.98 <i>2.125</i>	49.99 - 51.00	2.97 - 5.82	1.91 - 2.06	50.72 - 51.03	1.55 <i>0.061</i>	1.17 - 1.30	Spring Steel	PRS-E115
# SHI-215	54.76 <i>2.156</i>	49.99 - 51.00	2.97 - 5.82	1.91 - 2.06	51.46 - 51.77	1.57 <i>0.062</i>	1.17 - 1.30	Spring Steel	PRS-E115

# Indicates item not stocked at time of printing - Please enquire for lead time

E&OE Pricing and all details subject to change without notice - Copyright Miniature Bearings Australia Pty Ltd

MBA Size Listings are a guide to sizes only and must not be solely relied on for critical design information.

## Circlips - External - Inverted

Part Number	Shaft (Ds) mm <i>inches</i>	Free Inside Dia. (Df) mm <i>inches</i>	Radial Wall (S) min/max mm <i>inches</i>	Thickness (T) mm <i>inches</i>	Groove Dia. (Dg) mm <i>inches</i>	Groove Depth (d) mm <i>inches</i>	Width (W) mm <i>inches</i>	Material	Tool
# SHI-215-SS	54.76 <i>2.156</i>	49.99 - 51.00	2.97 - 5.82	1.91 - 2.06	51.46 - 51.77	1.57 <i>0.062</i>	1.17 - 1.30	416 Stainless Steel	PRS-E115
# SHI-250	63.50 <i>2.500</i>	58.12 - 59.13	3.30 - 6.35	1.91 - 2.06	59.79 - 60.10	1.78 <i>0.070</i>	1.17 - 1.30	Spring Steel	PRS-E115
# SHI-250-SS	63.50 <i>2.500</i>	58.12 - 59.13	3.30 - 6.35	1.91 - 2.06	59.79 - 60.10	1.78 <i>0.070</i>	1.17 - 1.30	416 Stainless Steel	PRS-E115
# SHI-275-SS	69.85 <i>2.750</i>	63.83 - 65.10	3.56 - 7.11	2.29 - 2.44	65.94 - 66.24	1.88 <i>0.074</i>	1.17 - 1.30	416 Stainless Steel	PRS-E115
# SHI-275	69.85 <i>2.750</i>	63.83 - 65.10	3.56 - 7.11	2.29 - 2.44	65.94 - 66.24	1.88 <i>0.074</i>	1.17 - 1.30	Spring Steel	PRS-E115
# SHI-287-SS	73.03 <i>2.875</i>	66.78 - 68.05	3.68 - 7.37	2.29 - 2.44	68.96 - 69.27	1.96 <i>0.077</i>	1.17 - 1.30	416 Stainless Steel	PRS-E115
# SHI-287	73.03 <i>2.875</i>	66.78 - 68.05	3.68 - 7.37	2.29 - 2.44	68.96 - 69.27	1.96 <i>0.077</i>	1.17 - 1.30	Spring Steel	PRS-E115
# SHI-315-SS	80.16 <i>3.156</i>	73.41 - 74.68	4.04 - 8.03	2.29 - 2.44	75.69 - 76.00	2.16 <i>0.085</i>	1.17 - 1.30	416 Stainless Steel	PRS-E115
# SHI-315	80.16 <i>3.156</i>	73.41 - 74.68	4.04 - 8.03	2.29 - 2.44	75.69 - 76.00	2.16 <i>0.085</i>	1.17 - 1.30	Spring Steel	PRS-E115

# Indicates item not stocked at time of printing - Please enquire for lead time

E&OE Pricing and all details subject to change without notice - Copyright Miniature Bearings Australia Pty Ltd

MBA Size Listings are a guide to sizes only and must not be solely relied on for critical design information.

## Circlips - External - Inverted

Part Number	Shaft (Ds) mm <i>inches</i>	Free Inside Dia. (Df) mm <i>inches</i>	Radial Wall (S) min/max mm <i>inches</i>	Thickness (T) mm <i>inches</i>	Groove Dia. (Dg) mm <i>inches</i>	Groove Depth (d) mm <i>inches</i>	Width (W) mm <i>inches</i>	Material	Tool
# SHI-325-SS	82.55 <i>3.250</i>	75.59 - 76.86	4.11 - 8.23	2.29 - 2.44	77.98 - 78.28	2.21 <i>0.087</i>	1.17 - 1.30	416 Stainless Steel	PRS-E115
# SHI-325	82.55 <i>3.250</i>	75.59 - 76.86	4.11 - 8.23	2.29 - 2.44	77.98 - 78.28	2.21 <i>0.087</i>	1.17 - 1.30	Spring Steel	PRS-E115
# SHI-350-SS	88.90 <i>3.500</i>	81.46 - 82.73	4.39 - 8.76	2.69 - 2.84	84.07 - 84.38	2.34 <i>0.092</i>	1.17 - 1.30	416 Stainless Steel	PRR-E120-X
# SHI-350	88.90 <i>3.500</i>	81.46 - 82.73	4.39 - 8.76	2.69 - 2.84	84.07 - 84.38	2.34 <i>0.092</i>	1.17 - 1.30	Spring Steel	PRR-E120-X
# SHI-393-SS	100.03 <i>3.938</i>	91.74 - 93.01	4.65 - 9.35	2.69 - 2.84	94.69 - 95.00	2.59 <i>0.102</i>	1.17 - 1.30	416 Stainless Steel	PRR-E120-X
# SHI-393	100.03 <i>3.938</i>	91.74 - 93.01	4.65 - 9.35	2.69 - 2.84	94.69 - 95.00	2.59 <i>0.102</i>	1.17 - 1.30	Spring Steel	PRR-E120-X
# SHI-400	101.60 <i>4.000</i>	93.22 - 94.49	4.70 - 9.42	2.69 - 2.84	96.16 - 96.47	---	1.17 - 1.30	Spring Steel	PRR-E120-X
# SHI-400-SS	101.60 <i>4.000</i>	93.22 - 94.49	4.70 - 9.42	2.69 - 2.84	96.16 - 96.47	---	1.17 - 1.30	416 Stainless Steel	PRR-E120-X

# Indicates item not stocked at time of printing - Please enquire for lead time

E&OE Pricing and all details subject to change without notice - Copyright Miniature Bearings Australia Pty Ltd

MBA Size Listings are a guide to sizes only and must not be solely relied on for critical design information.



DISTRIBUTED BY

Ask us to put your name and address here

<http://www.minibearings.com.au/product>

Ph +61 7 3245 7977

Fax +61 7 3245 1017

Catalogue requests to [catalogues@minibearings.com.au](mailto:catalogues@minibearings.com.au)

