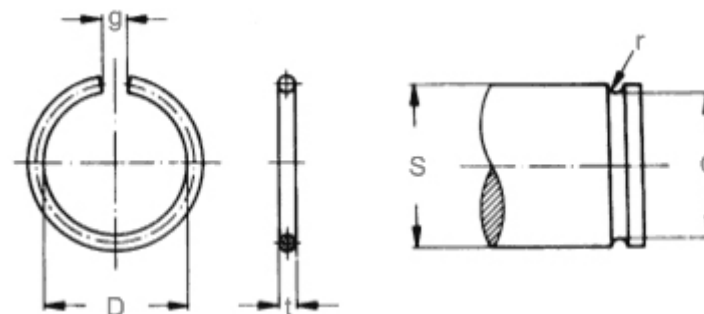




MBA

Circlips - External - Round Section



DIN7993A / RW / BN825.

Round section wire rings are mostly used in semicircular grooves.

Applications include gear systems, automotive engineering and open gudgeon pins.

Circlips - External - Round Section

Part Number	Shaft (S) mm <i>inches</i>	Free Inside Diameter (D) mm <i>inches</i>	Wire Cross Section (t) mm <i>inches</i>	Gap (g) mm <i>inches</i>	Groove Dia. (G) mm <i>inches</i>	Groove Radius (r) mm <i>inches</i>	Material
# DRP-004	4.00 <i>0.157</i>	2.9 - 3.1	0.80 <i>0.031</i>	1.00 <i>0.039</i>	3.15 - 3.20	0.50 <i>0.020</i>	Spring Steel
# DRP-005	5.00 <i>0.197</i>	3.9 - 4.1	0.80 <i>0.031</i>	1.00 <i>0.039</i>	4.15 - 4.20	0.50 <i>0.020</i>	Spring Steel
# DRP-006	6.00 <i>0.236</i>	4.9 - 5.1	0.80 <i>0.031</i>	1.00 <i>0.039</i>	5.15 - 5.20	0.50 <i>0.020</i>	Spring Steel
# DRP-007	7.00 <i>0.276</i>	5.8 - 6.1	0.80 <i>0.031</i>	2.00 <i>0.079</i>	6.15 - 6.20	0.50 <i>0.020</i>	Spring Steel

Indicates item not stocked at time of printing - Please enquire for lead time

E&OE Pricing and all details subject to change without notice - Copyright Miniature Bearings Australia Pty Ltd

MBA Size Listings are a guide to sizes only and must not be solely relied on for critical design information.

Circlips - External - Round Section

Part Number	Shaft (S) mm <i>inches</i>	Free Inside Diamter (D) mm <i>inches</i>	Wire Cross Section (t) mm <i>inches</i>	Gap (g) mm <i>inches</i>	Groove Dia. (G) mm <i>inches</i>	Groove Radius (r) mm <i>inches</i>	Material
# DRP-008	8.00 <i>0.315</i>	6.8 - 7.1	0.80 <i>0.031</i>	2.00 <i>0.079</i>	7.15 - 7.20	0.50 <i>0.020</i>	Spring Steel
# DRP-010	10.00 <i>0.394</i>	8.8 - 9.1	0.80 <i>0.031</i>	2.00 <i>0.079</i>	9.15 - 9.20	0.50 <i>0.020</i>	Spring Steel
# DRP-012	12.00 <i>0.472</i>	10.4 - 10.8	1.00 <i>0.039</i>	3.00 <i>0.118</i>	10.95 - 11.00	0.60 <i>0.024</i>	Spring Steel
# DRP-014	14.00 <i>0.551</i>	12.4 - 12.8	1.00 <i>0.039</i>	3.00 <i>0.118</i>	12.95 - 13.00	0.60 <i>0.024</i>	Spring Steel
# DRP-016	16.00 <i>0.630</i>	13.8 - 14.2	1.60 <i>0.063</i>	3.00 <i>0.118</i>	14.35 - 14.40	0.90 <i>0.035</i>	Spring Steel
# DRP-018	18.00 <i>0.709</i>	15.8 - 16.2	1.60 <i>0.063</i>	3.00 <i>0.118</i>	16.35 - 16.40	0.90 <i>0.035</i>	Spring Steel
DRP-020	20.00 <i>0.787</i>	17.2 - 17.7	2.00 <i>0.079</i>	3.00 <i>0.118</i>	17.90 - 18.00	1.10 <i>0.043</i>	Spring Steel
DRP-022	22.00 <i>0.866</i>	19.2 - 19.7	2.00 <i>0.079</i>	3.00 <i>0.118</i>	19.90 - 20.00	1.10 <i>0.043</i>	Spring Steel
# DRP-024	24.00 <i>0.945</i>	21.2 - 21.7	2.00 <i>0.079</i>	3.00 <i>0.118</i>	21.90 - 22.00	1.10 <i>0.043</i>	Spring Steel
# DRP-025	25.00 <i>0.984</i>	22.2 - 22.7	2.00 <i>0.079</i>	3.00 <i>0.118</i>	22.90 - 23.00	1.10 <i>0.043</i>	Spring Steel

Indicates item not stocked at time of printing - Please enquire for lead time

E&OE Pricing and all details subject to change without notice - Copyright Miniature Bearings Australia Pty Ltd

MBA Size Listings are a guide to sizes only and must not be solely relied on for critical design information.

Circlips - External - Round Section

Part Number	Shaft (S) mm <i>inches</i>	Free Inside Diamter (D) mm <i>inches</i>	Wire Cross Section (t) mm <i>inches</i>	Gap (g) mm <i>inches</i>	Groove Dia. (G) mm <i>inches</i>	Groove Radius (r) mm <i>inches</i>	Material
# DRP-026	26.00 <i>1.024</i>	23.2 - 23.7	2.00 <i>0.079</i>	3.00 <i>0.118</i>	23.90 - 24.00	1.10 <i>0.043</i>	Spring Steel
# DRP-028	28.00 <i>1.102</i>	25.2 - 25.7	2.00 <i>0.079</i>	3.00 <i>0.118</i>	25.90 - 26.00	1.10 <i>0.043</i>	Spring Steel
# DRP-030	30.00 <i>1.181</i>	27.2 - 27.7	2.00 <i>0.079</i>	3.00 <i>0.118</i>	27.90 - 28.00	1.10 <i>0.043</i>	Spring Steel
# DRP-032	32.00 <i>1.260</i>	28.5 - 29.1	2.50 <i>0.098</i>	4.00 <i>0.157</i>	29.40 - 29.50	1.40 <i>0.055</i>	Spring Steel
# DRP-035	35.00 <i>1.378</i>	31.5 - 32.1	2.50 <i>0.098</i>	4.00 <i>0.157</i>	32.40 - 32.50	1.40 <i>0.055</i>	Spring Steel
# DRP-038	38.00 <i>1.496</i>	34.5 - 35.1	2.50 <i>0.098</i>	4.00 <i>0.157</i>	35.40 - 35.50	1.40 <i>0.055</i>	Spring Steel
# DRP-040	40.00 <i>1.575</i>	36.5 - 37.1	2.50 <i>0.098</i>	4.00 <i>0.157</i>	37.40 - 37.50	1.40 <i>0.055</i>	Spring Steel
# DRP-042	42.00 <i>1.654</i>	38.2 - 39.0	2.50 <i>0.098</i>	4.00 <i>0.157</i>	39.40 - 39.50	1.40 <i>0.055</i>	Spring Steel
# DRP-045	45.00 <i>1.772</i>	41.2 - 42.0	2.50 <i>0.098</i>	4.00 <i>0.157</i>	42.40 - 42.50	1.40 <i>0.055</i>	Spring Steel
# DRP-048	48.00 <i>1.890</i>	44.2 - 45.0	2.50 <i>0.098</i>	4.00 <i>0.157</i>	45.40 - 45.50	1.40 <i>0.055</i>	Spring Steel

Indicates item not stocked at time of printing - Please enquire for lead time

E&OE Pricing and all details subject to change without notice - Copyright Miniature Bearings Australia Pty Ltd

MBA Size Listings are a guide to sizes only and must not be solely relied on for critical design information.

Circlips - External - Round Section

Part Number	Shaft (S) mm <i>inches</i>	Free Inside Diamter (D) mm <i>inches</i>	Wire Cross Section (t) mm <i>inches</i>	Gap (g) mm <i>inches</i>	Groove Dia. (G) mm <i>inches</i>	Groove Radius (r) mm <i>inches</i>	Material
# DRP-050	50.00 <i>1.969</i>	46.2 - 47.0	2.50 <i>0.098</i>	4.00 <i>0.157</i>	47.40 - 47.50	1.40 <i>0.055</i>	Spring Steel
# DRP-055	55.00 <i>2.165</i>	50.3 - 51.1	3.20 <i>0.126</i>	4.00 <i>0.157</i>	51.65 - 51.80	1.80 <i>0.071</i>	Spring Steel
# DRP-060	60.00 <i>2.362</i>	55.3 - 56.1	3.20 <i>0.126</i>	4.00 <i>0.157</i>	56.65 - 56.80	1.80 <i>0.071</i>	Spring Steel
# DRP-065	65.00 <i>2.559</i>	60.3 - 61.1	3.20 <i>0.126</i>	4.00 <i>0.157</i>	61.65 - 61.80	1.80 <i>0.071</i>	Spring Steel
# DRP-070	70.00 <i>2.756</i>	65.0 - 66.0	3.20 <i>0.126</i>	5.00 <i>0.197</i>	66.65 - 66.80	1.80 <i>0.071</i>	Spring Steel
# DRP-075	75.00 <i>2.953</i>	70.0 - 71.0	3.20 <i>0.126</i>	5.00 <i>0.197</i>	71.65 - 71.80	1.80 <i>0.071</i>	Spring Steel
# DRP-080	80.00 <i>3.150</i>	75.0 - 76.0	3.20 <i>0.126</i>	5.00 <i>0.197</i>	76.65 - 76.80	1.80 <i>0.071</i>	Spring Steel
# DRP-085	85.00 <i>3.346</i>	80.0 - 81.0	3.20 <i>0.126</i>	5.00 <i>0.197</i>	81.65 - 81.80	1.80 <i>0.071</i>	Spring Steel
# DRP-090	90.00 <i>3.543</i>	85.0 - 86.0	3.20 <i>0.126</i>	5.00 <i>0.197</i>	86.65 - 86.80	1.80 <i>0.071</i>	Spring Steel
# DRP-095	95.00 <i>3.740</i>	90.0 - 91.0	3.20 <i>0.126</i>	5.00 <i>0.197</i>	91.65 - 91.80	1.80 <i>0.071</i>	Spring Steel

Indicates item not stocked at time of printing - Please enquire for lead time

E&OE Pricing and all details subject to change without notice - Copyright Miniature Bearings Australia Pty Ltd

MBA Size Listings are a guide to sizes only and must not be solely relied on for critical design information.

Circlips - External - Round Section

Part Number	Shaft (S) mm <i>inches</i>	Free Inside Diamter (D) mm <i>inches</i>	Wire Cross Section (t) mm <i>inches</i>	Gap (g) mm <i>inches</i>	Groove Dia. (G) mm <i>inches</i>	Groove Radius (r) mm <i>inches</i>	Material
# DRP-100	100.00 <i>3.937</i>	94.6 - 95.8	3.20 <i>0.126</i>	5.00 <i>0.197</i>	96.65 - 96.80	1.80 <i>0.071</i>	Spring Steel
# DRP-105	105.00 <i>4.134</i>	99.6 - 100.8	3.20 <i>0.126</i>	5.00 <i>0.197</i>	101.65 - 101.80	1.80 <i>0.071</i>	Spring Steel
# DRP-110	110.00 <i>4.331</i>	104.6 - 105.8	3.20 <i>0.126</i>	5.00 <i>0.197</i>	106.65 - 106.80	1.80 <i>0.071</i>	Spring Steel
# DRP-115	115.00 <i>4.528</i>	109.6 - 110.8	3.20 <i>0.126</i>	5.00 <i>0.197</i>	111.65 - 111.80	1.80 <i>0.071</i>	Spring Steel
# DRP-120	120.00 <i>4.724</i>	114.6 - 115.8	3.20 <i>0.126</i>	5.00 <i>0.197</i>	116.65 - 116.80	1.80 <i>0.071</i>	Spring Steel
# DRP-125	125.00 <i>4.921</i>	119.6 - 120.8	3.20 <i>0.126</i>	5.00 <i>0.197</i>	121.65 - 121.80	1.80 <i>0.071</i>	Spring Steel

Indicates item not stocked at time of printing - Please enquire for lead time

E&OE Pricing and all details subject to change without notice - Copyright Miniature Bearings Australia Pty Ltd

MBA Size Listings are a guide to sizes only and must not be solely relied on for critical design information.



DISTRIBUTED BY

Ask us to put your name and address here

<http://www.minibearings.com.au/product>

Ph +61 7 3245 7977

Fax +61 7 3245 1017

Catalogue requests to catalogues@minibearings.com.au

