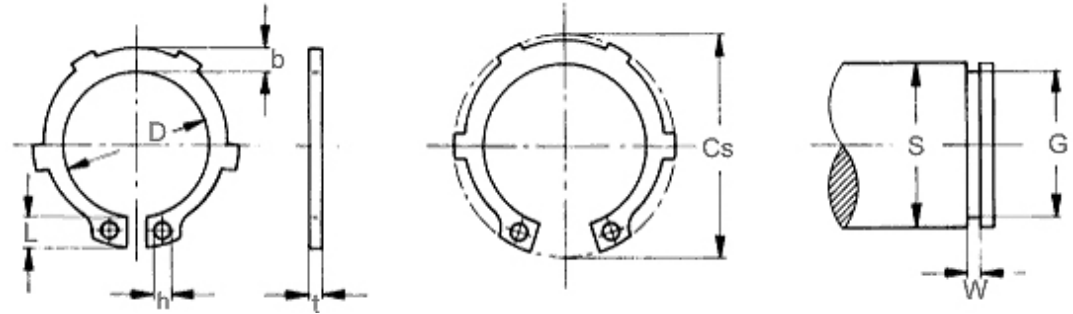




MBA

Circlips - External - Tabbed



DIN 983 / D2100 / AK.

External tabs are concentrically positioned for positioning in a concealed assembly.

Tabs act as spacers for securing machine components.

Conforming to DIN 983.

Circlips - External - Tabbed

Part Number	Shaft (S) mm	Free ID (D) mm	Max Radial Wall (b) mm	Thickness (t) mm	Groove Diameter (G) mm	Groove Width (W) mm	Material	Tool
	<i>inches</i>	<i>inches</i>	<i>inches</i>	<i>inches</i>	<i>inches</i>	<i>inches</i>		
# DAK-016	16.00 <i>0.630</i>	14.34 - 14.80	2.30 <i>0.091</i>	0.94 - 1.00	15.08 - 15.20	1.10 <i>0.043</i>	Spring Steel	PRS-E013
# DAK-017	17.00 <i>0.669</i>	15.37 - 15.80	2.40 <i>0.094</i>	0.94 - 1.00	16.08 - 16.20	1.10 <i>0.043</i>	Spring Steel	PRS-E013
# DAK-018	18.00 <i>0.709</i>	16.14 - 16.60	2.50 <i>0.098</i>	1.14 - 1.20	16.89 - 17.00	1.30 <i>0.051</i>	Spring Steel	PRS-E013

Indicates item not stocked at time of printing - Please enquire for lead time

E&OE Pricing and all details subject to change without notice - Copyright Miniature Bearings Australia Pty Ltd

MBA Size Listings are a guide to sizes only and must not be solely relied on for critical design information.

Circlips - External - Tabbed

Part Number	Shaft (S) mm <i>inches</i>	Free ID (D) mm <i>inches</i>	Max Radial Wall (b) mm <i>inches</i>	Thickness (t) mm <i>inches</i>	Groove Diameter (G) mm <i>inches</i>	Groove Width (W) mm <i>inches</i>	Material	Tool
# DAK-019	19.00 <i>0.748</i>	17.14 - 17.60	2.60 <i>0.102</i>	1.14 - 1.20	17.89 - 18.00	1.30 <i>0.051</i>	Spring Steel	PRS-E018
# DAK-020	20.00 <i>0.787</i>	18.08 - 18.63	2.60 <i>0.102</i>	1.14 - 1.20	18.85 - 19.00	1.30 <i>0.051</i>	Spring Steel	PRS-E018
# DAK-022	22.00 <i>0.866</i>	20.08 - 20.63	2.80 <i>0.110</i>	1.14 - 1.20	20.85 - 21.00	1.30 <i>0.051</i>	Spring Steel	PRS-E018
# DAK-023	23.00 <i>0.906</i>	21.05 - 21.63	2.90 <i>0.114</i>	1.14 - 1.20	21.85 - 22.00	1.30 <i>0.051</i>	Spring Steel	PRS-E018
# DAK-024	24.00 <i>0.945</i>	21.78 - 22.33	3.00 <i>0.118</i>	1.14 - 1.20	22.69 - 22.90	1.30 <i>0.051</i>	Spring Steel	PRS-E018
# DAK-025	25.00 <i>0.984</i>	22.78 - 23.41	3.00 <i>0.118</i>	1.14 - 1.20	23.69 - 23.90	1.30 <i>0.051</i>	Spring Steel	PRS-E018
# DAK-026	26.00 <i>1.024</i>	23.79 - 24.41	3.10 <i>0.122</i>	1.14 - 1.20	24.69 - 24.90	1.30 <i>0.051</i>	Spring Steel	PRS-E018
# DAK-028	28.00 <i>1.102</i>	25.48 - 26.11	3.30 <i>0.130</i>	1.44 - 1.50	26.39 - 26.60	1.60 <i>0.063</i>	Spring Steel	PRS-E018
# DAK-029	29.00 <i>1.142</i>	26.48 - 27.11	3.40 <i>0.134</i>	1.44 - 1.50	27.39 - 27.60	1.60 <i>0.063</i>	Spring Steel	PRS-E018
# DAK-030	30.00 <i>1.181</i>	27.48 - 28.11	3.40 <i>0.134</i>	1.44 - 1.50	28.39 - 28.60	1.60 <i>0.063</i>	Spring Steel	PRS-E018

Indicates item not stocked at time of printing - Please enquire for lead time

E&OE Pricing and all details subject to change without notice - Copyright Miniature Bearings Australia Pty Ltd

MBA Size Listings are a guide to sizes only and must not be solely relied on for critical design information.

Circlips - External - Tabbed

Part Number	Shaft (S) mm <i>inches</i>	Free ID (D) mm <i>inches</i>	Max Radial Wall (b) mm <i>inches</i>	Thickness (t) mm <i>inches</i>	Groove Diameter (G) mm <i>inches</i>	Groove Width (W) mm <i>inches</i>	Material	Tool
# DAK-032	32.00 <i>1.260</i>	29.18 - 29.81	3.60 <i>0.142</i>	1.44 - 1.50	30.05 - 30.30	1.60 <i>0.063</i>	Spring Steel	PRS-E018
# DAK-034	34.00 <i>1.339</i>	31.08 - 31.71	3.80 <i>0.150</i>	1.44 - 1.50	32.05 - 32.30	1.60 <i>0.063</i>	Spring Steel	PRS-E018
# DAK-035	35.00 <i>1.378</i>	31.70 - 32.45	3.80 <i>0.150</i>	1.44 - 1.50	32.75 - 33.00	1.60 <i>0.063</i>	Spring Steel	PRS-E018
# DAK-037	37.00 <i>1.457</i>	33.70 - 34.45	4.00 <i>0.157</i>	1.69 - 1.75	34.75 - 35.00	1.85 <i>0.073</i>	Spring Steel	PRS-E018
# DAK-038	38.00 <i>1.496</i>	34.70 - 35.45	4.10 <i>0.161</i>	1.69 - 1.75	35.75 - 36.00	1.85 <i>0.073</i>	Spring Steel	PRS-E018
# DAK-040	40.00 <i>1.575</i>	35.60 - 36.89	4.20 <i>0.165</i>	1.69 - 1.75	37.25 - 37.50	1.85 <i>0.073</i>	Spring Steel	PRS-E023
# DAK-042	42.00 <i>1.654</i>	37.60 - 38.89	4.50 <i>0.177</i>	1.69 - 1.75	39.25 - 39.50	1.85 <i>0.073</i>	Spring Steel	PRS-E023
# DAK-045	45.00 <i>1.772</i>	40.60 - 41.89	4.60 <i>0.181</i>	1.69 - 1.75	42.25 - 42.50	1.85 <i>0.073</i>	Spring Steel	PRS-E023
# DAK-047	47.00 <i>1.850</i>	42.60 - 44.89	4.80 <i>0.189</i>	1.69 - 1.75	44.25 - 44.50	1.85 <i>0.073</i>	Spring Steel	PRS-E023
# DAK-048	48.00 <i>1.890</i>	43.60 - 44.89	4.90 <i>0.193</i>	1.69 - 1.75	45.25 - 45.50	1.85 <i>0.073</i>	Spring Steel	PRS-E023

Indicates item not stocked at time of printing - Please enquire for lead time

E&OE Pricing and all details subject to change without notice - Copyright Miniature Bearings Australia Pty Ltd

MBA Size Listings are a guide to sizes only and must not be solely relied on for critical design information.

Circlips - External - Tabbed

Part Number	Shaft (S) mm <i>inches</i>	Free ID (D) mm <i>inches</i>	Max Radial Wall (b) mm <i>inches</i>	Thickness (t) mm <i>inches</i>	Groove Diameter (G) mm <i>inches</i>	Groove Width (W) mm <i>inches</i>	Material	Tool
# DAK-050	50.00 <i>1.969</i>	44.90 - 46.19	5.00 <i>0.197</i>	1.93 - 2.00	46.75 - 47.00	2.15 <i>0.085</i>	Spring Steel	PRS-E023
# DAK-055	55.00 <i>2.165</i>	49.70 - 51.26	5.40 <i>0.213</i>	1.93 - 2.00	51.70 - 52.00	2.15 <i>0.085</i>	Spring Steel	PRS-E023
# DAK-057	57.00 <i>2.244</i>	51.70 - 53.26	5.60 <i>0.220</i>	1.93 - 2.00	53.70 - 54.00	2.15 <i>0.085</i>	Spring Steel	PRS-E023
# DAK-058	58.00 <i>2.283</i>	52.70 - 54.26	5.70 <i>0.224</i>	1.93 - 2.00	54.70 - 55.00	2.15 <i>0.085</i>	Spring Steel	PRS-E023
# DAK-060	60.00 <i>2.362</i>	54.70 - 56.26	5.80 <i>0.228</i>	1.93 - 2.00	56.70 - 57.00	2.15 <i>0.085</i>	Spring Steel	PRS-E023
# DAK-062	62.00 <i>2.441</i>	56.70 - 58.26	5.90 <i>0.232</i>	1.93 - 2.00	58.70 - 59.00	2.15 <i>0.085</i>	Spring Steel	PRS-E023
# DAK-065	65.00 <i>2.559</i>	59.70 - 61.26	6.20 <i>0.244</i>	2.43 - 2.50	61.70 - 62.00	2.65 <i>0.104</i>	Spring Steel	PRS-E023
# DAK-067	67.00 <i>2.638</i>	61.40 - 62.96	6.40 <i>0.252</i>	2.43 - 2.50	63.70 - 64.00	2.65 <i>0.104</i>	Spring Steel	PRS-E023
# DAK-068	68.00 <i>2.677</i>	62.40 - 63.96	6.50 <i>0.256</i>	2.43 - 2.50	64.70 - 65.00	2.65 <i>0.104</i>	Spring Steel	PRS-E023
# DAK-070	70.00 <i>2.756</i>	64.40 - 65.96	6.60 <i>0.260</i>	2.43 - 2.50	66.70 - 67.00	2.65 <i>0.104</i>	Spring Steel	PRS-E023

Indicates item not stocked at time of printing - Please enquire for lead time

E&OE Pricing and all details subject to change without notice - Copyright Miniature Bearings Australia Pty Ltd

MBA Size Listings are a guide to sizes only and must not be solely relied on for critical design information.

Circlips - External - Tabbed

Part Number	Shaft (S) mm <i>inches</i>	Free ID (D) mm <i>inches</i>	Max Radial Wall (b) mm <i>inches</i>	Thickness (t) mm <i>inches</i>	Groove Diameter (G) mm <i>inches</i>	Groove Width (W) mm <i>inches</i>	Material	Tool
# DAK-080	80.00 <i>3.150</i>	73.40 - 74.96	7.40 <i>0.291</i>	2.43 - 2.50	76.20 - 76.50	2.65 <i>0.104</i>	Spring Steel	PRS-E023
# DAK-090	90.00 <i>3.543</i>	83.20 - 85.04	8.20 <i>0.323</i>	2.92 - 3.00	86.15 - 86.50	3.15 <i>0.124</i>	Spring Steel	PRS-E023
# DAK-100	100.00 <i>3.937</i>	93.20 - 95.04	9.00 <i>0.354</i>	2.92 - 3.00	96.15 - 96.50	3.15 <i>0.124</i>	Spring Steel	PRS-E032
# DAK-110	110.00 <i>4.331</i>	101.70 - 103.54	9.60 <i>0.378</i>	3.90 - 4.00	105.46 - 106.00	4.15 <i>0.163</i>	Spring Steel	PRS-E032
# DAK-120	120.00 <i>4.724</i>	111.70 - 113.54	10.10 <i>0.398</i>	3.90 - 4.00	115.46 - 116.00	4.15 <i>0.163</i>	Spring Steel	PRS-E032
# DAK-130	130.00 <i>5.118</i>	121.70 - 123.54	10.70 <i>0.421</i>	3.90 - 4.00	125.37 - 126.00	4.15 <i>0.163</i>	Spring Steel	PRR-E035
# DAK-140	140.00 <i>5.512</i>	131.70 - 133.54	11.20 <i>0.441</i>	3.90 - 4.00	135.37 - 136.00	4.15 <i>0.163</i>	Spring Steel	PRR-E035

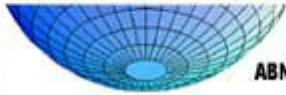
Indicates item not stocked at time of printing - Please enquire for lead time

E&OE Pricing and all details subject to change without notice - Copyright Miniature Bearings Australia Pty Ltd

MBA Size Listings are a guide to sizes only and must not be solely relied on for critical design information.

MBA

MINIATURE BEARINGS AUSTRALIA PTY LTD



ABN 94 069 113 800



DISTRIBUTED BY

Ask us to put your name and address here

<http://www.minibearings.com.au/product>

Ph +61 7 3245 7977

Fax +61 7 3245 1017

Catalogue requests to catalogues@minibearings.com.au

SDPSI
Stock Drive Products / Spring Instrument

JK

ANOTHER QUALITY PRODUCT BY
MOLYTEC
Australia

Origin
BEARING

WIB

THOMSON

EZO



myonic
solutions in microspace

rino



inox
Quality Products

GRW

DualVee^x
Bishop-Wisecarver Corp.

ondrives
Precision Manufacturing

RMB

SOLARBOTICS^{INTL}

KSK
BALL BEARING