



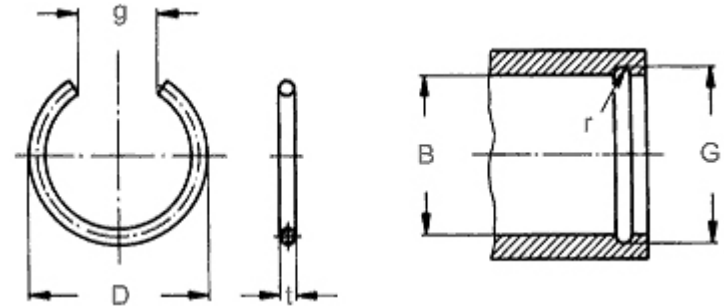
MBA

Circlips - Internal - Round Section

Includes DIN7993B / RB / M1700 / BN826.

Round section wire rings are mostly used in semicircular grooves.

Applications include gear systems, automotive engineering and open gudgeon pins.



Circlips - Internal - Round Section

Part Number	Bore (B) mm <i>inches</i>	Free Outside Diameter (D) mm <i>inches</i>	Wire Cross Section (T) mm <i>inches</i>	Gap (g) mm <i>inches</i>	Groove Dia. (G) mm <i>inches</i>	Groove Radius (r) mm <i>inches</i>	Material
# DRB-007	7.00 <i>0.276</i>	7.9 - 8.2	0.8 (Tolerance per B DIN 2076)	4.00 <i>0.157</i>	7.75 - 7.80	0.50 <i>0.020</i>	Spring Steel
# DRB-008	8.00 <i>0.315</i>	8.9 - 9.2	0.8 (Tolerance per B DIN 2076)	4.00 <i>0.157</i>	8.75 - 8.80	0.50 <i>0.020</i>	Spring Steel
# DRB-010	10.00 <i>0.394</i>	10.9 - 11.2	0.8 (Tolerance per B DIN 2076)	4.00 <i>0.157</i>	10.75 - 10.80	0.50 <i>0.020</i>	Spring Steel

Indicates item not stocked at time of printing - Please enquire for lead time

E&OE Pricing and all details subject to change without notice - Copyright Miniature Bearings Australia Pty Ltd

MBA Size Listings are a guide to sizes only and must not be solely relied on for critical design information.

Circlips - Internal - Round Section

Part Number	Bore (B) mm <i>inches</i>	Free Outside Diameter (D) mm <i>inches</i>	Wire Cross Section (T) mm <i>inches</i>	Gap (g) mm <i>inches</i>	Groove Dia. (G) mm <i>inches</i>	Groove Radius (r) mm <i>inches</i>	Material
# D17-010	10.00 <i>0.394</i>	11.80 <i>0.465</i>	0.86 - 0.98	7.00 <i>0.276</i>	11.05 - 11.20	1.00 - 1.08	Spring Steel
# DRB-012	12.00 <i>0.472</i>	13.2 - 13.6	1.0 (Tolerance per B DIN 2076)	6.00 <i>0.236</i>	12.95 - 13.00	0.60 <i>0.024</i>	Spring Steel
# D17-012	12.00 <i>0.472</i>	13.90 <i>0.547</i>	0.96 - 1.08	7.00 <i>0.276</i>	13.13 - 13.28	1.10 - 1.18	Spring Steel
# D17-0125	12.50 <i>0.492</i>	14.40 <i>0.567</i>	0.96 - 1.08	7.00 <i>0.276</i>	13.64 - 13.79	1.10 - 1.18	Spring Steel
# D17-013	13.00 <i>0.512</i>	14.90 <i>0.587</i>	0.96 - 1.08	7.00 <i>0.276</i>	14.15 - 14.30	1.10 - 1.18	Spring Steel
# DRB-014	14.00 <i>0.551</i>	15.2 - 15.6	1.0 (Tolerance per B DIN 2076)	6.00 <i>0.236</i>	14.95 - 15.00	0.60 <i>0.024</i>	Spring Steel
# D17-014	14.00 <i>0.551</i>	16.10 <i>0.634</i>	1.16 - 1.28	7.50 <i>0.295</i>	15.34 - 15.49	1.30 - 1.38	Spring Steel
# D17-015	15.00 <i>0.591</i>	17.10 <i>0.673</i>	1.16 - 1.28	7.50 <i>0.295</i>	16.36 - 16.51	1.30 - 1.38	Spring Steel
# DRB-016	16.00 <i>0.630</i>	17.8 - 18.2	1.6 (Tolerance per B DIN 2076)	8.00 <i>0.315</i>	17.55 - 17.60	0.90 <i>0.035</i>	Spring Steel

Indicates item not stocked at time of printing - Please enquire for lead time

E&OE Pricing and all details subject to change without notice - Copyright Miniature Bearings Australia Pty Ltd

MBA Size Listings are a guide to sizes only and must not be solely relied on for critical design information.

Circlips - Internal - Round Section

Part Number	Bore (B) mm <i>inches</i>	Free Outside Diameter (D) mm <i>inches</i>	Wire Cross Section (T) mm <i>inches</i>	Gap (g) mm <i>inches</i>	Groove Dia. (G) mm <i>inches</i>	Groove Radius (r) mm <i>inches</i>	Material
# D17-016	16.00 <i>0.630</i>	18.10 <i>0.713</i>	1.16 - 1.28	7.50 <i>0.295</i>	17.35 - 17.50	1.30 - 1.38	Spring Steel
# D17-017	17.00 <i>0.669</i>	19.30 <i>0.760</i>	1.36 - 1.48	8.00 <i>0.315</i>	18.54 - 18.69	1.50 - 1.58	Spring Steel
# D17-0175	17.50 <i>0.689</i>	20.00 <i>0.787</i>	1.36 - 1.48	9.00 <i>0.354</i>	19.05 - 19.20	1.50 - 1.58	Spring Steel
# DRB-018	18.00 <i>0.709</i>	19.8 - 20.2	1.6 (Tolerance per B DIN 2076)	8.00 <i>0.315</i>	19.55 - 19.60	0.90 <i>0.035</i>	Spring Steel
# D17-018	18.00 <i>0.709</i>	20.50 <i>0.807</i>	1.36 - 1.48	9.00 <i>0.354</i>	19.56 - 19.71	1.50 - 1.58	Spring Steel
# D17-019	19.00 <i>0.748</i>	21.50 <i>0.846</i>	1.36 - 1.48	9.00 <i>0.354</i>	20.55 - 20.70	1.50 - 1.58	Spring Steel
# DRB-020	20.00 <i>0.787</i>	22.3 - 22.8	2.0 (Tolerance per B DIN 2076)	10.00 <i>0.394</i>	21.90 - 22.00	1.10 <i>0.043</i>	Spring Steel
# D17-020	20.00 <i>0.787</i>	22.50 <i>0.886</i>	1.36 - 1.48	9.00 <i>0.354</i>	21.54 - 21.69	1.50 - 1.58	Spring Steel
# D17-021	21.00 <i>0.827</i>	23.70 <i>0.933</i>	1.56 - 1.68	9.50 <i>0.374</i>	22.76 - 22.89	1.70 - 1.78	Spring Steel

Indicates item not stocked at time of printing - Please enquire for lead time

E&OE Pricing and all details subject to change without notice - Copyright Miniature Bearings Australia Pty Ltd

MBA Size Listings are a guide to sizes only and must not be solely relied on for critical design information.

Circlips - Internal - Round Section

Part Number	Bore (B) mm <i>inches</i>	Free Outside Diameter (D) mm <i>inches</i>	Wire Cross Section (T) mm <i>inches</i>	Gap (g) mm <i>inches</i>	Groove Dia. (G) mm <i>inches</i>	Groove Radius (r) mm <i>inches</i>	Material
# DRB-022	22.00 <i>0.866</i>	24.3 - 24.8	2.0 (Tolerance per B DIN 2076)	10.00 <i>0.394</i>	23.90 - 24.00	1.10 <i>0.043</i>	Spring Steel
# D17-022	22.00 <i>0.866</i>	24.70 <i>0.972</i>	1.56 - 1.68	9.50 <i>0.374</i>	23.75 - 23.90	1.70 - 1.78	Spring Steel
# DRB-024	24.00 <i>0.945</i>	26.3 - 26.8	2.0 (Tolerance per B DIN 2076)	10.00 <i>0.394</i>	25.90 - 26.00	1.10 <i>0.043</i>	Spring Steel
# D17-024	24.00 <i>0.945</i>	27.00 <i>1.063</i>	1.76 - 1.78	10.00 <i>0.394</i>	25.96 - 26.11	1.90 - 1.98	Spring Steel
# DRB-025	25.00 <i>0.984</i>	27.3 - 27.8	2.0 (Tolerance per B DIN 2076)	10.00 <i>0.394</i>	26.90 - 27.00	1.10 <i>0.043</i>	Spring Steel
# D17-025	25.00 <i>0.984</i>	27.90 <i>1.098</i>	1.76 - 1.78	10.00 <i>0.394</i>	26.95 - 27.10	1.90 - 1.98	Spring Steel
# DRB-026	26.00 <i>1.024</i>	28.3 - 28.8	2.0 (Tolerance per B DIN 2076)	10.00 <i>0.394</i>	27.90 - 28.00	1.10 <i>0.043</i>	Spring Steel
# DRB-028	28.00 <i>1.102</i>	30.3 - 30.8	2.0 (Tolerance per B DIN 2076)	10.00 <i>0.394</i>	29.90 - 30.00	1.10 <i>0.043</i>	Spring Steel
# D17-028	28.00 <i>1.102</i>	31.10 <i>1.224</i>	1.95 - 2.10	11.00 <i>0.433</i>	30.15 - 30.30	2.10 - 2.20	Spring Steel

Indicates item not stocked at time of printing - Please enquire for lead time

E&OE Pricing and all details subject to change without notice - Copyright Miniature Bearings Australia Pty Ltd

MBA Size Listings are a guide to sizes only and must not be solely relied on for critical design information.

Circlips - Internal - Round Section

Part Number	Bore (B) mm <i>inches</i>	Free Outside Diameter (D) mm <i>inches</i>	Wire Cross Section (T) mm <i>inches</i>	Gap (g) mm <i>inches</i>	Groove Dia. (G) mm <i>inches</i>	Groove Radius (r) mm <i>inches</i>	Material
# DRB-030	30.00 <i>1.181</i>	32.3 - 32.8	2.0 (Tolerance per B DIN 2076)	10.00 <i>0.394</i>	31.90 - 32.00	1.10 <i>0.043</i>	Spring Steel
# D17-030	30.00 <i>1.181</i>	33.10 <i>1.303</i>	1.95 - 2.10	11.00 <i>0.433</i>	32.15 - 32.30	2.10 - 2.20	Spring Steel
# DRB-032	32.00 <i>1.260</i>	34.9 - 35.5	2.5 (Tolerance per B DIN 2076)	12.00 <i>0.472</i>	34.40 - 34.50	1.40 <i>0.055</i>	Spring Steel
# D17-032	32.00 <i>1.260</i>	35.10 <i>1.382</i>	1.95 - 2.10	11.00 <i>0.433</i>	34.15 - 34.30	2.10 - 2.20	Spring Steel
# D17-034	34.00 <i>1.339</i>	37.10 <i>1.461</i>	1.95 - 2.10	11.00 <i>0.433</i>	36.17 - 36.32	2.10 - 2.20	Spring Steel
# DRB-035	35.00 <i>1.378</i>	37.9 - 38.5	2.5 (Tolerance per B DIN 2076)	12.00 <i>0.472</i>	37.40 - 37.50	1.40 <i>0.055</i>	Spring Steel
# DRB-038	38.00 <i>1.496</i>	40.9 - 41.5	2.5 (Tolerance per B DIN 2076)	12.00 <i>0.472</i>	40.40 - 40.50	1.40 <i>0.055</i>	Spring Steel
# DRB-040	40.00 <i>1.575</i>	42.9 - 43.5	2.5 (Tolerance per B DIN 2076)	12.00 <i>0.472</i>	42.40 - 42.50	1.40 <i>0.055</i>	Spring Steel
# DRB-042	42.00 <i>1.654</i>	45.0 - 45.8	2.5 (Tolerance per B DIN 2076)	16.00 <i>0.630</i>	44.40 - 44.50	1.40 <i>0.055</i>	Spring Steel

Indicates item not stocked at time of printing - Please enquire for lead time

E&OE Pricing and all details subject to change without notice - Copyright Miniature Bearings Australia Pty Ltd

MBA Size Listings are a guide to sizes only and must not be solely relied on for critical design information.

Circlips - Internal - Round Section

Part Number	Bore (B) mm <i>inches</i>	Free Outside Diameter (D) mm <i>inches</i>	Wire Cross Section (T) mm <i>inches</i>	Gap (g) mm <i>inches</i>	Groove Dia. (G) mm <i>inches</i>	Groove Radius (r) mm <i>inches</i>	Material
# DRB-045	45.00 <i>1.772</i>	48.8 - 49.6	2.5 (Tolerance per B DIN 2076)	16.00 <i>0.630</i>	47.40 - 47.50	1.40 <i>0.055</i>	Spring Steel
# DRB-048	48.00 <i>1.890</i>	51.0 - 51.8	2.5 (Tolerance per B DIN 2076)	16.00 <i>0.630</i>	50.40 - 50.50	1.40 <i>0.055</i>	Spring Steel
# DRB-050	50.00 <i>1.969</i>	53.0 - 53.8	2.5 (Tolerance per B DIN 2076)	16.00 <i>0.630</i>	52.40 - 52.50	1.40 <i>0.055</i>	Spring Steel
# DRB-055	55.00 <i>2.165</i>	58.9 - 59.7	3.2 (Tolerance per B DIN 2076)	20.00 <i>0.787</i>	58.05 - 58.20	1.80 <i>0.071</i>	Spring Steel
# DRB-060	60.00 <i>2.362</i>	63.9 - 64.7	3.2 (Tolerance per B DIN 2076)	20.00 <i>0.787</i>	63.05 - 63.20	1.80 <i>0.071</i>	Spring Steel
# DRB-065	65.00 <i>2.559</i>	68.9 - 69.7	3.2 (Tolerance per B DIN 2076)	20.00 <i>0.787</i>	68.05 - 68.20	1.80 <i>0.071</i>	Spring Steel
# DRB-070	70.00 <i>2.756</i>	74.0 - 75.0	3.2 (Tolerance per B DIN 2076)	25.00 <i>0.984</i>	73.05 - 73.20	1.80 <i>0.071</i>	Spring Steel
# DRB-075	75.00 <i>2.953</i>	79.0 - 80.0	3.2 (Tolerance per B DIN 2076)	25.00 <i>0.984</i>	78.05 - 78.20	1.80 <i>0.071</i>	Spring Steel

Indicates item not stocked at time of printing - Please enquire for lead time

E&OE Pricing and all details subject to change without notice - Copyright Miniature Bearings Australia Pty Ltd

MBA Size Listings are a guide to sizes only and must not be solely relied on for critical design information.

Circlips - Internal - Round Section

Part Number	Bore (B) mm <i>inches</i>	Free Outside Diameter (D) mm <i>inches</i>	Wire Cross Section (T) mm <i>inches</i>	Gap (g) mm <i>inches</i>	Groove Dia. (G) mm <i>inches</i>	Groove Radius (r) mm <i>inches</i>	Material
# DRB-080	80.00 <i>3.150</i>	84.0 - 85.0	3.2 (Tolerance per B DIN 2076) <i>0.984</i>	25.00 <i>0.984</i>	83.05 - 83.20	1.80 <i>0.071</i>	Spring Steel
# DRB-085	85.00 <i>3.346</i>	89.0 - 90.0	3.2 (Tolerance per B DIN 2076) <i>0.984</i>	25.00 <i>0.984</i>	88.05 - 88.20	1.80 <i>0.071</i>	Spring Steel
# DRB-090	90.00 <i>3.543</i>	94.0 - 95.0	3.2 (Tolerance per B DIN 2076) <i>0.984</i>	25.00 <i>0.984</i>	93.05 - 93.20	1.80 <i>0.071</i>	Spring Steel
# DRB-095	95.00 <i>3.740</i>	99.0 - 100.2	3.2 (Tolerance per B DIN 2076) <i>0.984</i>	25.00 <i>0.984</i>	98.05 - 98.20	1.80 <i>0.071</i>	Spring Steel
# DRB-100	100.00 <i>3.937</i>	104.2 - 105.4	3.2 (Tolerance per B DIN 2076) <i>1.260</i>	32.00 <i>1.260</i>	103.05 - 103.20	1.80 <i>0.071</i>	Spring Steel
# DRB-105	105.00 <i>4.134</i>	109.2 - 110.4	3.2 (Tolerance per B DIN 2076) <i>1.260</i>	32.00 <i>1.260</i>	108.05 - 108.20	1.80 <i>0.071</i>	Spring Steel
# DRB-110	110.00 <i>4.331</i>	114.2 - 115.4	3.2 (Tolerance per B DIN 2076) <i>1.260</i>	32.00 <i>1.260</i>	113.05 - 113.20	1.80 <i>0.071</i>	Spring Steel
# DRB-115	115.00 <i>4.528</i>	119.2 - 120.4	3.2 (Tolerance per B DIN 2076) <i>1.260</i>	32.00 <i>1.260</i>	118.05 - 118.20	1.80 <i>0.071</i>	Spring Steel

Indicates item not stocked at time of printing - Please enquire for lead time

E&OE Pricing and all details subject to change without notice - Copyright Miniature Bearings Australia Pty Ltd

MBA Size Listings are a guide to sizes only and must not be solely relied on for critical design information.

Circlips - Internal - Round Section

Part Number	Bore (B) mm	Free Outside Diameter (D) mm	Wire Cross Section (T) mm	Gap (g) mm	Groove Dia. (G) mm	Groove Radius (r) mm	Material
	<i>inches</i>	<i>inches</i>	<i>inches</i>	<i>inches</i>	<i>inches</i>	<i>inches</i>	
# DRB-120	120.00	124.2 - 125.4	3.2 (Tolerance per B DIN 2076)	32.00	123.05 - 123.20	1.80	Spring Steel
	<i>4.724</i>			<i>1.260</i>		<i>0.071</i>	
# DRB-125	125.00	129.2 - 130.4	3.2 (Tolerance per B DIN 2076)	32.00	128.05 - 128.20	1.80	Spring Steel
	<i>4.921</i>			<i>1.260</i>		<i>0.071</i>	

Indicates item not stocked at time of printing - Please enquire for lead time

E&OE Pricing and all details subject to change without notice - Copyright Miniature Bearings Australia Pty Ltd

MBA Size Listings are a guide to sizes only and must not be solely relied on for critical design information.



DISTRIBUTED BY

Ask us to put your name and address here

<http://www.minibearings.com.au/product>

Ph +61 7 3245 7977

Fax +61 7 3245 1017

Catalogue requests to catalogues@minibearings.com.au

