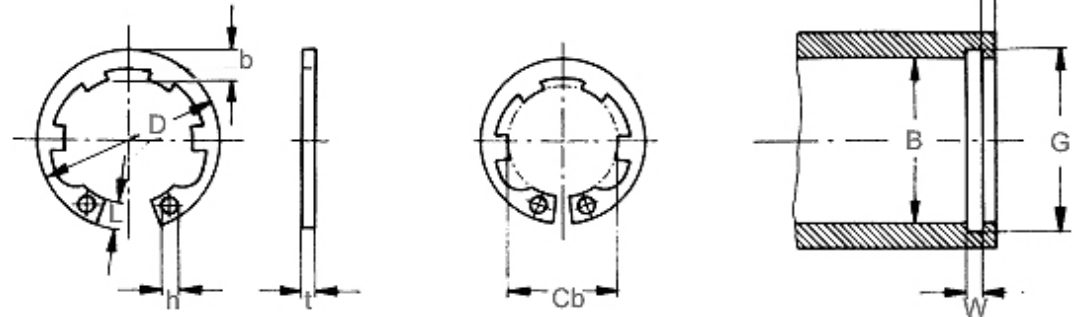




MBA

Circlips - Internal - Tabbed



DIN984 / D2000 / Seeger JK.

Internal tabs are concentrically positioned for a concealed assembly.

Tabs act as spacers for securing machine components.

Circlips - Internal - Tabbed

Part Number	Bore (B) mm <i>inches</i>	Free Outside Dia. (D) mm <i>inches</i>	Radial Wall Max. (b) mm <i>inches</i>	Thickness (t) mm <i>inches</i>	Groove Diameter (G) mm <i>inches</i>	Groove Width Min. (W) mm <i>inches</i>	Material	Tool
# DJK-016	16.00 <i>0.630</i>	17.17 - 17.73 <i>inches</i>	2.10 <i>0.083</i>	0.94 - 1.00 <i>inches</i>	16.80 - 16.91 <i>inches</i>	1.10 <i>0.043</i>	Spring Steel	PRS-I011
# DJK-017	17.00 <i>0.669</i>	18.17 - 18.73 <i>inches</i>	2.20 <i>0.087</i>	0.94 - 1.00 <i>inches</i>	17.80 - 17.91 <i>inches</i>	1.10 <i>0.043</i>	Spring Steel	PRS-I011
# DJK-018	18.00 <i>0.709</i>	19.37 - 19.92 <i>inches</i>	2.30 <i>0.091</i>	0.94 - 1.00 <i>inches</i>	19.00 - 19.15 <i>inches</i>	1.10 <i>0.043</i>	Spring Steel	PRS-I011
# DJK-019	19.00 <i>0.748</i>	20.37 - 20.92 <i>inches</i>	2.30 <i>0.091</i>	0.94 - 1.00 <i>inches</i>	20.00 - 20.15 <i>inches</i>	1.10 <i>0.043</i>	Spring Steel	PRS-I018

Indicates item not stocked at time of printing - Please enquire for lead time

E&OE Pricing and all details subject to change without notice - Copyright Miniature Bearings Australia Pty Ltd

MBA Size Listings are a guide to sizes only and must not be solely relied on for critical design information.

Circlips - Internal - Tabbed

Part Number	Bore (B) mm <i>inches</i>	Free Outside Dia. (D) mm <i>inches</i>	Radial Wall Max. (b) mm <i>inches</i>	Thickness (t) mm <i>inches</i>	Groove Diameter (G) mm <i>inches</i>	Groove Width Min. (W) mm <i>inches</i>	Material	Tool
# DJK-020	20.00 <i>0.787</i>	21.37 - 21.92	2.40 <i>0.094</i>	0.94 - 1.00	21.00 - 21.15	1.10 <i>0.043</i>	Spring Steel	PRS-I018
# DJK-021	21.00 <i>0.827</i>	22.37 - 22.92	2.40 <i>0.094</i>	0.94 - 1.00	22.00 - 22.15	1.10 <i>0.043</i>	Spring Steel	PRS-I018
# DJK-022	22.00 <i>0.866</i>	23.37 - 23.92	2.60 <i>0.102</i>	0.94 - 1.00	23.00 - 23.15	1.10 <i>0.043</i>	Spring Steel	PRS-I018
# DJK-023	23.00 <i>0.906</i>	24.47 - 25.02	2.60 <i>0.102</i>	1.14 - 1.20	24.10 - 24.25	1.30 <i>0.051</i>	Spring Steel	PRS-I018
# DJK-024	24.00 <i>0.945</i>	25.69 - 26.32	2.60 <i>0.102</i>	1.14 - 1.20	25.20 - 25.41	1.30 <i>0.051</i>	Spring Steel	PRS-I018
# DJK-025	25.00 <i>0.984</i>	26.69 - 30.32	2.80 <i>0.110</i>	1.14 - 1.20	26.20 - 26.41	1.30 <i>0.051</i>	Spring Steel	PRS-I018
# DJK-026	26.00 <i>1.024</i>	28.29 - 28.92	2.80 <i>0.110</i>	1.14 - 1.20	27.20 - 27.41	1.30 <i>0.051</i>	Spring Steel	PRS-I018
# DJK-027	27.00 <i>1.063</i>	28.89 - 29.52	2.90 <i>0.114</i>	1.14 - 1.20	28.40 - 28.61	1.30 <i>0.051</i>	Spring Steel	PRS-I018
# DJK-028	28.00 <i>1.102</i>	29.85 - 30.60	3.00 <i>0.118</i>	1.14 - 1.20	29.40 - 29.61	1.30 <i>0.051</i>	Spring Steel	PRS-I018
# DJK-030	30.00 <i>1.181</i>	31.85 - 32.60	3.20 <i>0.126</i>	1.14 - 1.20	31.40 - 31.65	1.30 <i>0.051</i>	Spring Steel	PRS-I018

Indicates item not stocked at time of printing - Please enquire for lead time

E&OE Pricing and all details subject to change without notice - Copyright Miniature Bearings Australia Pty Ltd

MBA Size Listings are a guide to sizes only and must not be solely relied on for critical design information.

Circlips - Internal - Tabbed

Part Number	Bore (B) mm <i>inches</i>	Free Outside Dia. (D) mm <i>inches</i>	Radial Wall Max. (b) mm <i>inches</i>	Thickness (t) mm <i>inches</i>	Groove Diameter (G) mm <i>inches</i>	Groove Width Min. (W) mm <i>inches</i>	Material	Tool
# DJK-031	31.00 <i>1.220</i>	33.15 - 33.90	3.20 <i>0.126</i>	1.14 - 1.20	32.70 - 32.95	1.30 <i>0.051</i>	Spring Steel	PRS-I018
# DJK-032	32.00 <i>1.260</i>	34.15 - 34.90	3.30 <i>0.130</i>	1.14 - 1.20	33.70 - 33.95	1.30 <i>0.051</i>	Spring Steel	PRS-I018
# DJK-033	33.00 <i>1.299</i>	35.25 - 36.00	3.30 <i>0.130</i>	1.14 - 1.20	34.70 - 34.95	1.30 <i>0.051</i>	Spring Steel	PRS-I018
# DJK-034	34.00 <i>1.339</i>	36.25 - 37.00	3.40 <i>0.134</i>	1.44 - 1.50	35.70 - 37.95	1.60 <i>0.063</i>	Spring Steel	PRS-I018
# DJK-035	35.00 <i>1.378</i>	37.55 - 38.30	3.60 <i>0.142</i>	1.44 - 1.50	37.00 - 37.25	1.60 <i>0.063</i>	Spring Steel	PRS-I018
# DJK-036	36.00 <i>1.417</i>	38.55 - 39.30	3.60 <i>0.142</i>	1.44 - 1.50	38.00 - 38.25	1.60 <i>0.063</i>	Spring Steel	PRS-I018
# DJK-038	38.00 <i>1.496</i>	40.55 - 41.30	3.80 <i>0.150</i>	1.44 - 1.50	40.00 - 40.25	1.60 <i>0.063</i>	Spring Steel	PRS-I018
# DJK-040	40.00 <i>1.575</i>	43.11 - 44.40	4.00 <i>0.157</i>	1.69 - 1.75	42.50 - 42.75	1.85 <i>0.073</i>	Spring Steel	PRS-I023
# DJK-042	42.00 <i>1.654</i>	45.11 - 46.40	4.10 <i>0.161</i>	1.69 - 1.75	44.50 - 44.75	1.85 <i>0.073</i>	Spring Steel	PRS-I023
# DJK-044	44.00 <i>1.732</i>	47.11 - 48.40	4.20 <i>0.165</i>	1.69 - 1.75	46.50 - 46.75	1.85 <i>0.073</i>	Spring Steel	PRS-I023

Indicates item not stocked at time of printing - Please enquire for lead time

E&OE Pricing and all details subject to change without notice - Copyright Miniature Bearings Australia Pty Ltd

MBA Size Listings are a guide to sizes only and must not be solely relied on for critical design information.

Circlips - Internal - Tabbed

Part Number	Bore (B) mm <i>inches</i>	Free Outside Dia. (D) mm <i>inches</i>	Radial Wall Max. (b) mm <i>inches</i>	Thickness (t) mm <i>inches</i>	Groove Diameter (G) mm <i>inches</i>	Groove Width Min. (W) mm <i>inches</i>	Material	Tool
# DJK-045	45.00 <i>1.772</i>	48.11 - 49.40	4.30 <i>0.169</i>	1.69 - 1.75	47.50 - 47.75	1.85 <i>0.073</i>	Spring Steel	PRS-I023
# DJK-047	47.00 <i>1.850</i>	50.04 - 51.60	4.50 <i>0.177</i>	1.69 - 1.75	49.50 - 49.75	1.85 <i>0.073</i>	Spring Steel	PRS-I023
# DJK-048	48.00 <i>1.890</i>	51.04 - 52.60	4.50 <i>0.177</i>	1.69 - 1.75	50.50 - 50.80	1.85 <i>0.073</i>	Spring Steel	PRS-I023
# DJK-050	50.00 <i>1.969</i>	53.76 - 55.30	4.70 <i>0.185</i>	1.93 - 2.00	53.00 - 53.30	2.15 <i>0.085</i>	Spring Steel	PRS-I023
# DJK-052	52.00 <i>2.047</i>	55.76 - 57-.30	4.70 <i>0.185</i>	1.93 - 2.00	55.00 - 55.30	2.15 <i>0.085</i>	Spring Steel	PRS-I023
# DJK-055	55.00 <i>2.165</i>	58.76 - 60.30	5.10 <i>0.201</i>	1.93 - 2.00	58.00 - 58.30	2.15 <i>0.085</i>	Spring Steel	PRS-I023
# DJK-057	57.00 <i>2.244</i>	60.76 - 62.30	5.20 <i>0.205</i>	1.93 - 2.00	60.00 - 60.30	2.15 <i>0.085</i>	Spring Steel	PRS-I023
# DJK-058	58.00 <i>2.283</i>	61.76 - 63.30	5.30 <i>0.209</i>	1.93 - 2.00	61.00 - 61.30	2.15 <i>0.085</i>	Spring Steel	PRS-I023
# DJK-060	60.00 <i>2.362</i>	63.76 - 65.30	5.50 <i>0.217</i>	1.93 - 2.00	63.00 - 63.30	2.15 <i>0.085</i>	Spring Steel	PRS-I023
# DJK-062	62.00 <i>2.441</i>	65.76 - 67.30	5.60 <i>0.220</i>	1.93 - 2.00	65.00 - 65.30	2.15 <i>0.085</i>	Spring Steel	PRS-I023

Indicates item not stocked at time of printing - Please enquire for lead time

E&OE Pricing and all details subject to change without notice - Copyright Miniature Bearings Australia Pty Ltd

MBA Size Listings are a guide to sizes only and must not be solely relied on for critical design information.

Circlips - Internal - Tabbed

Part Number	Bore (B) mm <i>inches</i>	Free Outside Dia. (D) mm <i>inches</i>	Radial Wall Max. (b) mm <i>inches</i>	Thickness (t) mm <i>inches</i>	Groove Diameter (G) mm <i>inches</i>	Groove Width Min. (W) mm <i>inches</i>	Material	Tool
# DJK-065	65.00 <i>2.559</i>	68.76 - 70.30	5.80 <i>0.228</i>	2.43 - 2.50	68.00 - 68.30	2.65 <i>0.104</i>	Spring Steel	PRS-I023
# DJK-067	67.00 <i>2.638</i>	71.04 - 72.60	6.00 <i>0.236</i>	2.43 - 2.50	70.00 - 70.30	2.65 <i>0.104</i>	Spring Steel	PRS-I023
# DJK-068	68.00 <i>2.677</i>	72.04 - 73.60	6.10 <i>0.240</i>	2.43 - 2.50	71.00 - 71.30	2.65 <i>0.104</i>	Spring Steel	PRS-I023
# DJK-070	70.00 <i>2.756</i>	74.04 - 75.60	6.20 <i>0.244</i>	2.43 - 2.50	73.00 - 73.30	2.65 <i>0.104</i>	Spring Steel	PRS-I023
# DJK-072	72.00 <i>2.835</i>	76.04 - 77.60	6.40 <i>0.252</i>	2.43 - 2.50	75.00 - 75.30	2.65 <i>0.104</i>	Spring Steel	PRS-I023
# DJK-075	75.00 <i>2.953</i>	79.04 - 80.60	6.60 <i>0.260</i>	2.43 - 2.50	78.00 - 78.30	2.65 <i>0.104</i>	Spring Steel	PRS-I023
# DJK-080	80.00 <i>3.150</i>	85.04 - 86.60	7.00 <i>0.276</i>	2.43 - 2.50	83.50 - 83.80	2.65 <i>0.104</i>	Spring Steel	PRS-I023
# DJK-090	90.00 <i>3.543</i>	95.04 - 96.60	7.70 <i>0.303</i>	2.92 - 3.00	93.50 - 93.80	3.15 <i>0.124</i>	Spring Steel	PRS-I032
# DJK-100	100.00 <i>3.937</i>	105.04 - 106.60	8.50 <i>0.335</i>	2.92 - 3.00	98.50 - 98.80	3.15 <i>0.124</i>	Spring Steel	PRS-I032
# DJK-110	110.00 <i>4.331</i>	116.04 - 117.60	9.00 <i>0.354</i>	2.92 - 3.00	103.50 - 103.80	3.15 <i>0.124</i>	Spring Steel	PRS-I032

Indicates item not stocked at time of printing - Please enquire for lead time

E&OE Pricing and all details subject to change without notice - Copyright Miniature Bearings Australia Pty Ltd

MBA Size Listings are a guide to sizes only and must not be solely relied on for critical design information.



DISTRIBUTED BY

Ask us to put your name and address here

<http://www.minibearings.com.au/product>

Ph +61 7 3245 7977

Fax +61 7 3245 1017

Catalogue requests to catalogues@minibearings.com.au

