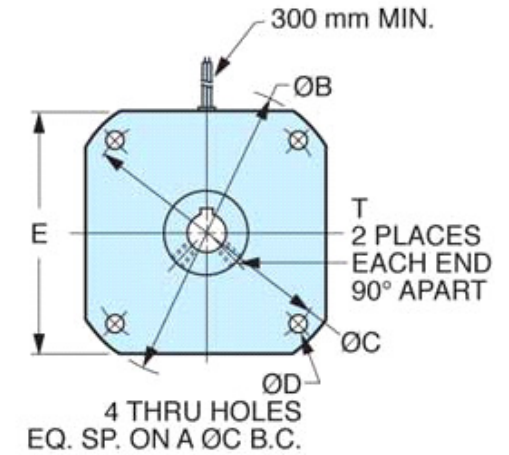
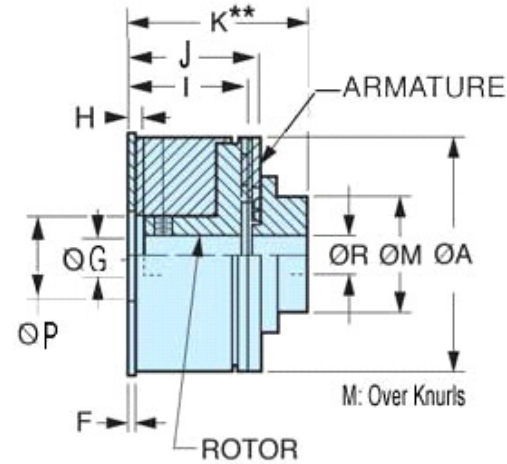




MBA

Clutches - Flange Mounted

24 V DC.
Zero backlash armature.
For parallel loads.



Clutches - Flange Mounted

Part Number	Min. Static Torque g.cm	Bore (Armature / Rotor) mm	Mech. Response Milliseconds	Max. Wattage	Overall Width mm	Keyway Width mm	Bore Configuration	Outside Diameter mm	Mounting Plate mm
		<i>inches</i>			<i>inches</i>	<i>inches</i>		<i>inches</i>	<i>inches</i>
# CFM-06.00-31.80-5765	5765	6.000 / 6.000	18	5	31.300 <i>1.232</i>		Without keyway	31.800 <i>1.252</i>	29.8 SQ.
# CFM-06.36-31.80-5765	5765	6.362 / 6.400	18	5	32.004 <i>1.260</i>	1.588 <i>0.063</i>	With Keyways	31.801 <i>1.252</i>	29.8 SQ.
# CFM-07.95-31.80-5765	5765	7.950 / 7.975	18	5	32.004 <i>1.260</i>	2.383 <i>0.094</i>	With Keyways	31.801 <i>1.252</i>	29.8 SQ.
# CFM-06.36-38.89-11530	11530	6.363 / 6.400	22	5	39.116 <i>1.540</i>	1.588 <i>0.063</i>	With Keyways	38.887 <i>1.531</i>	39.7 SQ.

Indicates item not stocked at time of printing - Please enquire for lead time
E&OE Pricing and all details subject to change without notice - Copyright Miniature Bearings Australia Pty Ltd
MBA Size Listings are a guide to sizes only and must not be solely relied on for critical design information.

Clutches - Flange Mounted

Part Number	Min. Static Torque g.cm	Bore (Armature / Rotor) mm	Mech. Response Milliseconds	Max. Wattage	Overall Width mm	Keyway Width mm	Bore Configuration	Outside Diameter mm	Mounting Plate mm
		<i>inches</i>			<i>inches</i>	<i>inches</i>		<i>inches</i>	<i>inches</i>
# CFM-06.00-38.90-11531	11531	6.000 / 6.000	22	5	39.200 <i>1.543</i>	2.000 <i>0.079</i>	With Keyway	38.900 <i>1.531</i>	39.7 SQ.
# CFM-06.36-45.21-17295	17295	6.363 / 6.400	27	6	41.91 <i>1.650</i>	1.588 <i>0.063</i>	With Keyways	45.212 <i>1.780</i>	46.3 SQ.
# CFM-08.00-45.30-17296	17296	8.000 / 8.000	27	6	42.000 <i>1.654</i>	3.000 <i>0.118</i>	With Keyway	45.300 <i>1.783</i>	46.3 SQ.
# CFM-09.53-57.40-46120	46120	9.525 / 9.550	32	8	49.022 <i>1.930</i>	2.383 <i>0.094</i>	With Keyways	57.404 <i>2.260</i>	59.20 SQ.
# CFM-09.53-66.68-92240	92240	9.525 / 9.550	35	9	55.88 <i>2.200</i>	2.383 <i>0.094</i>	With Keyways	66.675 <i>2.625</i>	66.80 SQ.
# CFM-12.70-66.68-92240	92240	12.700 / 12.751	35	9	55.88 <i>2.200</i>	3.180 <i>0.125</i>	With Keyways	66.675 <i>2.625</i>	66.80 SQ.
# CFM-20.00-83.00-144112	144112	20.000 / 20.000	45	12	61.300 <i>2.413</i>	6.000 <i>0.236</i>	With Keyway	83.000 <i>3.268</i>	82.6 SQ.

Indicates item not stocked at time of printing - Please enquire for lead time

E&OE Pricing and all details subject to change without notice - Copyright Miniature Bearings Australia Pty Ltd

MBA Size Listings are a guide to sizes only and must not be solely relied on for critical design information.



DISTRIBUTED BY

Ask us to put your name and address here

<http://www.minibearings.com.au/product>

Ph +61 7 3245 7977

Fax +61 7 3245 1017

Catalogue requests to catalogues@minibearings.com.au

