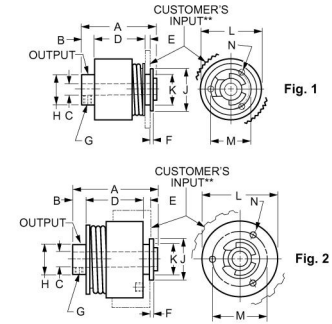




MBA

Clutches - Slip - Spring Wrapped



This catalogue to be read in conjunction with information at http://www.minibearings.com.au/ogueltech/clutches/clutches_spring_wrapped.pdf

Clutches - Slip - Spring Wrapped

Part Number	Upper Limit Torque	Mounting Diameter	Inner Diameter (C)	Clutch Body	Overall Length (A)	Max. Dissipation	Figure
	N.m	(H) mm	mm	Diameter (L) mm	mm		
		<i>inches</i>	<i>inches</i>	<i>inches</i>	<i>inches</i>		
# CSSW-09.65-03.17-0.06	0.064	9.65 <i>0.380</i>	3.17 <i>0.125</i>	16.00 <i>0.630</i>	26.67 <i>1.050</i>	1.0	1
# CSSW-09.65-04.76-0.06	0.064	9.65 <i>0.380</i>	4.76 <i>0.187</i>	16.00 <i>0.630</i>	26.67 <i>1.050</i>	1.0	1
# CSSW-09.50-03.00-0.06	0.064	9.500 <i>0.374</i>	3.00 <i>0.118</i>	16.000 <i>0.630</i>	26.700 <i>1.051</i>	1.0	1
# CSSW-09.50-04.00-0.06	0.064	9.500 <i>0.374</i>	4.00 <i>0.157</i>	16.000 <i>0.630</i>	26.700 <i>1.051</i>	1.0	1

Indicates item not stocked at time of printing - Please enquire for lead time
 E&OE Pricing and all details subject to change without notice - Copyright Miniature Bearings Australia Pty Ltd
 MBA Size Listings are a guide to sizes only and must not be solely relied on for critical design information.

Clutches - Slip - Spring Wrapped

Part Number	Upper Limit Torque N.m	Mounting Diameter (H) mm	Inner Diameter (C) mm	Clutch Body Diameter (L) mm	Overall Length (A) mm	Max. Dissipation Power W	Figure
		<i>inches</i>	<i>inches</i>	<i>inches</i>	<i>inches</i>		
# CSSW-12.70-04.76-0.14	0.141	12.70 <i>0.500</i>	4.76 <i>0.187</i>	25.40 <i>1.000</i>	31.50 <i>1.240</i>	2.4	1
# CSSW-12.70-06.34-0.14	0.141	12.70 <i>0.500</i>	6.34 <i>0.250</i>	25.40 <i>1.000</i>	31.50 <i>1.240</i>	2.4	1
# CSSW-12.70-07.93-0.14	0.141	12.70 <i>0.500</i>	7.93 <i>0.312</i>	25.40 <i>1.000</i>	31.50 <i>1.240</i>	2.4	1
# CSSW-12.68-04.00-0.14	0.141	12.675 <i>0.499</i>	4.00 <i>0.157</i>	25.400 <i>1.000</i>	31.500 <i>1.240</i>	2.4	1
# CSSW-12.68-06.00-0.14	0.141	12.675 <i>0.499</i>	6.00 <i>0.236</i>	25.400 <i>1.000</i>	31.500 <i>1.240</i>	2.4	1
# CSSW-12.68-08.00-0.14	0.141	12.675 <i>0.499</i>	8.00 <i>0.315</i>	25.400 <i>1.000</i>	31.500 <i>1.240</i>	2.4	1
# CSSW-12.68-06.00-0.34	0.339	12.675 <i>0.499</i>	6.00 <i>0.236</i>	31.750 <i>1.250</i>	35.300 <i>1.390</i>	5.7	1
# CSSW-12.68-08.00-0.34	0.339	12.675 <i>0.499</i>	8.00 <i>0.315</i>	31.750 <i>1.250</i>	35.300 <i>1.390</i>	5.7	1
# CSSW-12.70-06.34-0.34	0.339	12.70 <i>0.500</i>	6.34 <i>0.250</i>	31.75 <i>1.250</i>	35.31 <i>1.390</i>	5.7	2
# CSSW-12.70-07.93-0.34	0.339	12.70 <i>0.500</i>	7.93 <i>0.312</i>	31.75 <i>1.250</i>	35.31 <i>1.390</i>	5.7	2

Indicates item not stocked at time of printing - Please enquire for lead time

E&OE Pricing and all details subject to change without notice - Copyright Miniature Bearings Australia Pty Ltd

MBA Size Listings are a guide to sizes only and must not be solely relied on for critical design information.

Clutches - Slip - Spring Wrapped

Part Number	Upper Limit Torque N.m	Mounting Diameter (H) mm <i>inches</i>	Inner Diameter (C) mm <i>inches</i>	Clutch Body Diameter (L) mm <i>inches</i>	Overall Length (A) mm <i>inches</i>	Max. Dissipation Power W	Figure
# CSSW-16.00-06.34-0.57	0.565	16.00 <i>0.630</i>	6.34 <i>0.250</i>	38.10 <i>1.500</i>	35.31 <i>1.390</i>	9.5	1
# CSSW-16.00-07.93-0.57	0.565	16.00 <i>0.630</i>	7.93 <i>0.312</i>	38.10 <i>1.500</i>	35.31 <i>1.390</i>	9.5	1
# CSSW-12.68-06.00-0.57	0.565	12.675 <i>0.499</i>	6.00 <i>0.236</i>	38.100 <i>1.500</i>	35.300 <i>1.390</i>	9.5	1
# CSSW-12.68-08.00-0.57	0.565	12.675 <i>0.499</i>	8.00 <i>0.315</i>	38.100 <i>1.500</i>	35.300 <i>1.390</i>	9.5	1
# CSSW-12.68-06.00-0.85	0.847	12.675 <i>0.499</i>	6.00 <i>0.236</i>	47.500 <i>1.870</i>	42.400 <i>1.669</i>	14.0	1
# CSSW-12.68-08.00-0.85	0.847	12.675 <i>0.499</i>	8.00 <i>0.315</i>	47.500 <i>1.870</i>	42.400 <i>1.669</i>	14.0	1
# CSSW-16.00-06.34-0.85	0.847	16.000 <i>0.630</i>	6.34 <i>0.250</i>	47.50 <i>1.870</i>	42.42 <i>1.670</i>	14.0	1
# CSSW-16.00-07.93-0.85	0.847	16.000 <i>0.630</i>	7.93 <i>0.312</i>	47.50 <i>1.870</i>	42.42 <i>1.670</i>	14.0	1
# CSSW-19.03-10.00-1.06	1.059	19.025 <i>0.749</i>	10.00 <i>0.394</i>	47.500 <i>1.870</i>	47.500 <i>1.870</i>	18.0	1
# CSSW-19.03-12.00-1.06	1.059	19.025 <i>0.749</i>	12.00 <i>0.472</i>	47.500 <i>1.870</i>	47.500 <i>1.870</i>	18.0	1

Indicates item not stocked at time of printing - Please enquire for lead time

E&OE Pricing and all details subject to change without notice - Copyright Miniature Bearings Australia Pty Ltd

MBA Size Listings are a guide to sizes only and must not be solely relied on for critical design information.

Clutches - Slip - Spring Wrapped

Part Number	Upper Limit Torque N.m	Mounting Diameter (H) mm	Inner Diameter (C) mm	Clutch Body Diameter (L) mm	Overall Length (A) mm	Max. Dissipation Power W	Figure
		<i>inches</i>	<i>inches</i>	<i>inches</i>	<i>inches</i>		
# CSSW-25.40-07.93-1.06	1.059	25.400 <i>1.000</i>	7.93 <i>0.312</i>	47.50 <i>1.870</i>	47.75 <i>1.880</i>	18.0	1
# CSSW-25.40-09.52-1.06	1.059	25.400 <i>1.000</i>	9.52 <i>0.375</i>	47.50 <i>1.870</i>	47.75 <i>1.880</i>	18.0	1
# CSSW-25.40-12.69-1.06	1.059	25.400 <i>1.000</i>	12.69 <i>0.500</i>	47.50 <i>1.870</i>	47.75 <i>1.880</i>	18.0	1
# CSSW-25.40-06.34-1.69	1.694	25.400 <i>1.000</i>	6.34 <i>0.250</i>	57.15 <i>2.250</i>	47.75 <i>1.880</i>	28.0	2
# CSSW-25.40-07.93-1.69	1.694	25.400 <i>1.000</i>	7.93 <i>0.312</i>	57.15 <i>2.250</i>	47.75 <i>1.880</i>	28.0	2
# CSSW-25.40-09.52-1.69	1.694	25.400 <i>1.000</i>	9.52 <i>0.375</i>	57.15 <i>2.250</i>	47.75 <i>1.880</i>	28.0	2
# CSSW-25.40-12.69-1.69	1.694	25.400 <i>1.000</i>	12.69 <i>0.500</i>	57.15 <i>2.250</i>	47.75 <i>1.880</i>	28.0	2
# CSSW-19.03-06.00-1.70	1.695	19.025 <i>0.749</i>	6.00 <i>0.236</i>	57.150 <i>2.250</i>	43.700 <i>1.720</i>	28.0	1
# CSSW-19.03-08.00-1.70	1.695	19.025 <i>0.749</i>	8.00 <i>0.315</i>	57.150 <i>2.250</i>	43.700 <i>1.720</i>	28.0	1
# CSSW-19.03-10.00-1.70	1.695	19.025 <i>0.749</i>	10.00 <i>0.394</i>	57.150 <i>2.250</i>	43.700 <i>1.720</i>	28.0	1

Indicates item not stocked at time of printing - Please enquire for lead time

E&OE Pricing and all details subject to change without notice - Copyright Miniature Bearings Australia Pty Ltd

MBA Size Listings are a guide to sizes only and must not be solely relied on for critical design information.

Clutches - Slip - Spring Wrapped

Part Number	Upper Limit Torque N.m	Mounting Diameter (H) mm	Inner Diameter (C) mm	Clutch Body Diameter (L) mm	Overall Length (A) mm	Max. Dissipation Power W	Figure
		<i>inches</i>	<i>inches</i>	<i>inches</i>	<i>inches</i>		
# CSSW-19.03-12.00-1.70	1.695	19.025 <i>0.749</i>	12.00 <i>0.472</i>	57.150 <i>2.250</i>	43.700 <i>1.720</i>	28.0	1
# CSSW-19.03-08.00-2.54	2.540	19.025 <i>0.749</i>	8.00 <i>0.315</i>	66.550 <i>2.620</i>	43.700 <i>1.720</i>	43.0	1
# CSSW-19.03-10.00-2.54	2.540	19.025 <i>0.749</i>	10.00 <i>0.394</i>	66.550 <i>2.620</i>	43.700 <i>1.720</i>	43.0	1
# CSSW-19.03-12.00-2.54	2.540	19.025 <i>0.749</i>	12.00 <i>0.472</i>	66.550 <i>2.620</i>	43.700 <i>1.720</i>	43.0	1
# CSSW-25.40-07.93-2.54	2.541	25.400 <i>1.000</i>	7.93 <i>0.312</i>	66.55 <i>2.620</i>	47.75 <i>1.880</i>	43.0	1
# CSSW-25.40-09.52-2.54	2.541	25.400 <i>1.000</i>	9.52 <i>0.375</i>	66.55 <i>2.620</i>	47.75 <i>1.880</i>	43.0	1
# CSSW-25.40-12.69-2.54	2.541	25.400 <i>1.000</i>	12.69 <i>0.500</i>	66.55 <i>2.620</i>	47.75 <i>1.880</i>	43.0	1
# CSSW-28.55-16.00-3.39	3.390	28.550 <i>1.124</i>	16.00 <i>0.630</i>	76.200 <i>3.000</i>	58.400 <i>2.299</i>	57.0	1
# CSSW-28.55-19.00-3.39	3.390	28.550 <i>1.124</i>	19.00 <i>0.748</i>	76.200 <i>3.000</i>	58.400 <i>2.299</i>	57.0	1
# CSSW-28.55-20.00-3.39	3.390	28.550 <i>1.124</i>	20.00 <i>0.787</i>	76.200 <i>3.000</i>	58.400 <i>2.299</i>	57.0	1

Indicates item not stocked at time of printing - Please enquire for lead time

E&OE Pricing and all details subject to change without notice - Copyright Miniature Bearings Australia Pty Ltd

MBA Size Listings are a guide to sizes only and must not be solely relied on for critical design information.

Clutches - Slip - Spring Wrapped

Part Number	Upper Limit Torque N.m	Mounting Diameter (H) mm	Inner Diameter (C) mm	Clutch Body Diameter (L) mm	Overall Length (A) mm	Max. Dissipation Power W	Figure
		<i>inches</i>	<i>inches</i>	<i>inches</i>	<i>inches</i>		
# CSSW-00.00-15.88-3.39	3.388	-	15.88 <i>0.625</i>	76.20 <i>3.000</i>	58.42 <i>2.300</i>	57.0	1
# CSSW-00.00-19.05-3.39	3.388	-	19.05 <i>0.750</i>	76.20 <i>3.000</i>	58.42 <i>2.300</i>	57.0	1
# CSSW-00.00-22.23-3.39	3.388	-	22.23 <i>0.875</i>	76.20 <i>3.000</i>	58.42 <i>2.300</i>	57.0	1

Indicates item not stocked at time of printing - Please enquire for lead time

E&OE Pricing and all details subject to change without notice - Copyright Miniature Bearings Australia Pty Ltd

MBA Size Listings are a guide to sizes only and must not be solely relied on for critical design information.



DISTRIBUTED BY

Ask us to put your name and address here

<http://www.minibearings.com.au/product>

Ph +61 7 3245 7977

Fax +61 7 3245 1017

Catalogue requests to catalogues@minibearings.com.au

