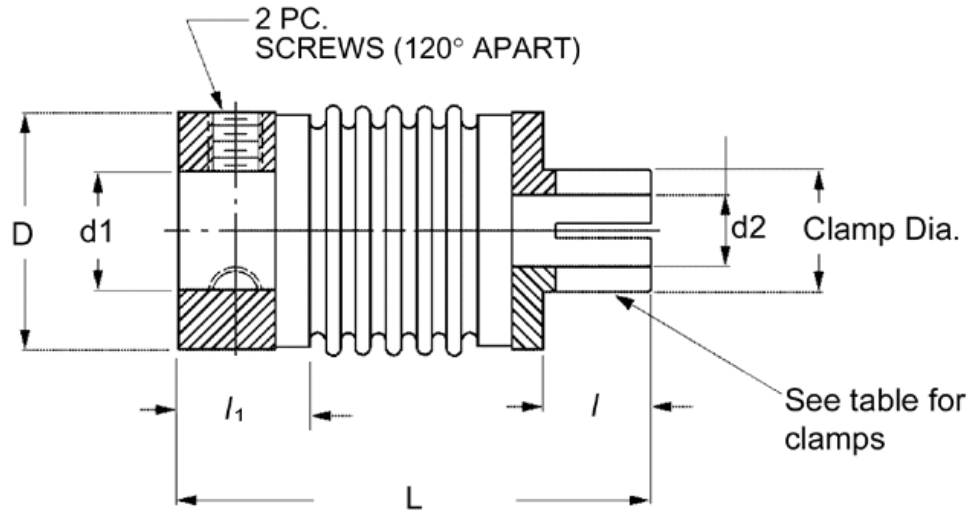




MBA

Couplings - Bellows - External Clamp and Set Screw - Brass



Zero Backlash - Tin Plate - Angular Misalignment up to 5 Degree

Phosphor Bronze Bellows

Brass set screw hub one end, beryllium copper clamp hub other end

Match with precision or commercial gear clamps - see link

This catalogue to be read in conjunction with information at <http://www.minibearings.com.au/categories/gear+clamps/all/pics/>

Couplings - Bellows - External Clamp and Set Screw - Brass

Part Number	OD (D) mm	Bores (d1 / d2) mm	Overall Length (L) mm	Max. Torque N.m	Max. Speed RPM	Hub Diameter (D) mm	Clamp Length (l) mm	Hub Length (l1) mm	Angular Offset Deg.	Lateral Offset mm
	<i>inches</i>	<i>inches</i>	<i>inches</i>			<i>inches</i>	<i>inches</i>	<i>inches</i>		<i>inches</i>
# CPB1222-0305-0476-BZSC	11.9 <i>0.469</i>	3.048 / 4.757	22.2 <i>0.874</i>	1.06	2000	4.75 / 11.91	7.14 <i>0.281</i>	6.35 <i>0.250</i>	5.00	0.38 <i>0.015</i>
# CPB1222-0305-0305-BZSC	11.9 <i>0.469</i>	3.048 / 3.048	22.2 <i>0.874</i>	1.06	2000	4.75 / 11.91	7.14 <i>0.281</i>	6.35 <i>0.250</i>	5.00	0.38 <i>0.015</i>

Indicates item not stocked at time of printing - Please enquire for lead time

E&OE Pricing and all details subject to change without notice - Copyright Miniature Bearings Australia Pty Ltd

MBA Size Listings are a guide to sizes only and must not be solely relied on for critical design information.

Couplings - Bellows - External Clamp and Set Screw - Brass

Part Number	OD (D) mm <i>inches</i>	Bores (d1 / d2) mm <i>inches</i>	Overall Length (L) mm <i>inches</i>	Max. Torque N.m	Max. Speed RPM	Hub Diameter (D) mm <i>inches</i>	Clamp Length (l) mm <i>inches</i>	Hub Length (l1) mm <i>inches</i>	Angular Offset Deg.	Lateral Offset mm <i>inches</i>
# CPB1222-0305-0635-BZSC	11.9 <i>0.469</i>	3.048 / 6.345	22.2 <i>0.874</i>	1.06	2000	4.75 / 11.91	7.14 <i>0.281</i>	6.35 <i>0.250</i>	5.00	0.38 <i>0.015</i>
# CPB1222-0305-0317-BZSC	11.9 <i>0.469</i>	3.048 / 3.170	22.2 <i>0.874</i>	1.06	2000	4.75 / 11.91	7.14 <i>0.281</i>	6.35 <i>0.250</i>	5.00	0.38 <i>0.015</i>
# CPB1222-0317-0476-BZSC	11.9 <i>0.469</i>	3.170 / 4.757	22.2 <i>0.874</i>	1.06	2000	4.75 / 11.91	7.14 <i>0.281</i>	6.35 <i>0.250</i>	5.00	0.38 <i>0.015</i>
# CPB1222-0317-0317-BZSC	11.9 <i>0.469</i>	3.170 / 3.170	22.2 <i>0.874</i>	1.06	2000	4.75 / 11.91	7.14 <i>0.281</i>	6.35 <i>0.250</i>	5.00	0.38 <i>0.015</i>
# CPB1222-0317-0635-BZSC	11.9 <i>0.469</i>	3.170 / 6.345	22.2 <i>0.874</i>	1.06	2000	4.75 / 11.91	7.14 <i>0.281</i>	6.35 <i>0.250</i>	5.00	0.38 <i>0.015</i>
# CPB1222-0317-0305-BZSC	11.9 <i>0.469</i>	3.170 / 3.048	22.2 <i>0.874</i>	1.06	2000	4.75 / 11.91	7.14 <i>0.281</i>	6.35 <i>0.250</i>	5.00	0.38 <i>0.015</i>
# CPB1222-0476-0635-BZSC	11.9 <i>0.469</i>	4.757 / 6.345	22.2 <i>0.874</i>	1.06	2000	6.35 / 11.91	7.14 <i>0.281</i>	6.35 <i>0.250</i>	5.00	0.38 <i>0.015</i>
# CPB1222-0476-0305-BZSC	11.9 <i>0.469</i>	4.757 / 3.048	22.2 <i>0.874</i>	1.06	2000	6.35 / 11.91	7.14 <i>0.281</i>	6.35 <i>0.250</i>	5.00	0.38 <i>0.015</i>
# CPB1222-0476-0476-BZSC	11.9 <i>0.469</i>	4.757 / 4.757	22.2 <i>0.874</i>	1.06	2000	6.35 / 11.91	7.14 <i>0.281</i>	6.35 <i>0.250</i>	5.00	0.38 <i>0.015</i>
# CPB1222-0476-0317-BZSC	11.9 <i>0.469</i>	4.757 / 3.170	22.2 <i>0.874</i>	1.06	2000	6.35 / 11.91	7.14 <i>0.281</i>	6.35 <i>0.250</i>	5.00	0.38 <i>0.015</i>

Indicates item not stocked at time of printing - Please enquire for lead time

E&OE Pricing and all details subject to change without notice - Copyright Miniature Bearings Australia Pty Ltd

MBA Size Listings are a guide to sizes only and must not be solely relied on for critical design information.

Couplings - Bellows - External Clamp and Set Screw - Brass

Part Number	OD (D) mm <i>inches</i>	Bores (d1 / d2) mm <i>inches</i>	Overall Length (L) mm <i>inches</i>	Max. Torque N.m	Max. Speed RPM	Hub Diameter (D) mm <i>inches</i>	Clamp Length (l) mm <i>inches</i>	Hub Length (l1) mm <i>inches</i>	Angular Offset Deg.	Lateral Offset mm <i>inches</i>
# CPB1222-0635-0317-BZSC	11.9 <i>0.469</i>	6.345 / 3.170 <i>inches</i>	22.2 <i>0.874</i>	1.06	2000	7.92 / 11.91 <i>inches</i>	7.14 <i>0.281</i>	6.35 <i>0.250</i>	5.00	0.38 <i>0.015</i>
# CPB1222-0635-0635-BZSC	11.9 <i>0.469</i>	6.345 / 6.345 <i>inches</i>	22.2 <i>0.874</i>	1.06	2000	7.92 / 11.91 <i>inches</i>	7.14 <i>0.281</i>	6.35 <i>0.250</i>	5.00	0.38 <i>0.015</i>
# CPB1222-0635-0476-BZSC	11.9 <i>0.469</i>	6.345 / 4.757 <i>inches</i>	22.2 <i>0.874</i>	1.06	2000	7.92 / 11.91 <i>inches</i>	7.14 <i>0.281</i>	6.35 <i>0.250</i>	5.00	0.38 <i>0.015</i>
# CPB1222-0635-0305-BZSC	11.9 <i>0.469</i>	6.345 / 3.048 <i>inches</i>	22.2 <i>0.874</i>	1.06	2000	7.92 / 11.91 <i>inches</i>	7.14 <i>0.281</i>	6.35 <i>0.250</i>	5.00	0.38 <i>0.015</i>

Indicates item not stocked at time of printing - Please enquire for lead time

E&OE Pricing and all details subject to change without notice - Copyright Miniature Bearings Australia Pty Ltd

MBA Size Listings are a guide to sizes only and must not be solely relied on for critical design information.



DISTRIBUTED BY

Ask us to put your name and address here

<http://www.minibearings.com.au/product>

Ph +61 7 3245 7977

Fax +61 7 3245 1017

Catalogue requests to catalogues@minibearings.com.au
