



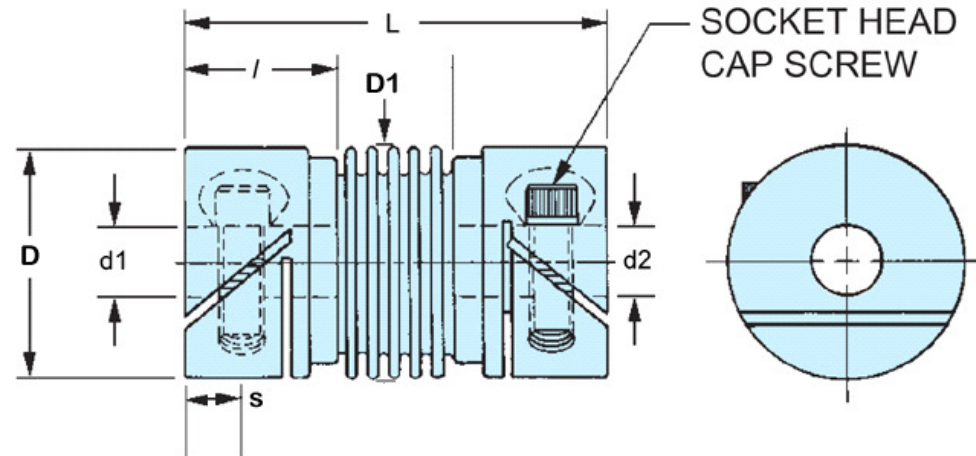
MBA

Couplings - Bellows - Integral Clamp - 316 Stainless

Zero Backlash - High Torsional Stiffness - Identical Clockwise and Anticlockwise Characteristics

Stainless Steel 303L Bellows

Stainless Steel 316 Hubs



Couplings - Bellows - Integral Clamp - 316 Stainless

Part Number	Bellows OD (D1) mm	Bores (d1 / d2) mm	Overall Length (L) mm	Max. Torque N.m	Max. Speed RPM	Hub Diameter (D) mm	Hub Length (l) mm	Screw Centres (s) mm	Angular Offset Deg.	Lateral Offset mm
	<i>inches</i>	<i>inches</i>	<i>inches</i>			<i>inches</i>	<i>inches</i>	<i>inches</i>		<i>inches</i>
# MFBS-12C	12.0 <i>0.472</i>	4.000 / 4.000	23.5 <i>0.925</i>	0.50	13000	12.0 <i>0.472</i>	7.50 <i>0.295</i>	2.25 <i>0.089</i>	1.5	0.10 <i>0.004</i>
# MFBS-16C	16.0 <i>0.630</i>	5.000 / 5.000	26.5 <i>1.043</i>	1.00	9500	16.0 <i>0.630</i>	9.00 <i>0.354</i>	3.00 <i>0.118</i>	1.5	0.10 <i>0.004</i>
# MFBS-20C	20.0 <i>0.787</i>	6.000 / 6.000	32.0 <i>1.260</i>	1.50	7700	20.0 <i>0.787</i>	10.00 <i>0.394</i>	3.50 <i>0.138</i>	2.0	0.15 <i>0.006</i>
# MFBS-25C	25.0 <i>0.984</i>	8.000 / 8.000	36.5 <i>1.437</i>	2.00	6100	25.0 <i>0.984</i>	12.00 <i>0.472</i>	4.50 <i>0.177</i>	2.0	0.15 <i>0.006</i>

Indicates item not stocked at time of printing - Please enquire for lead time

E&OE Pricing and all details subject to change without notice - Copyright Miniature Bearings Australia Pty Ltd

MBA Size Listings are a guide to sizes only and must not be solely relied on for critical design information.

Couplings - Bellows - Integral Clamp - 316 Stainless

Part Number	Bellows OD (D1) mm	Bores (d1 / d2) mm	Overall Length (L) mm	Max. Torque N.m	Max. Speed RPM	Hub Diameter (D) mm	Hub Length (l) mm	Screw Centres (s) mm	Angular Offset Deg.	Lateral Offset mm
	<i>inches</i>	<i>inches</i>	<i>inches</i>			<i>inches</i>	<i>inches</i>	<i>inches</i>		<i>inches</i>
# MFBS-32C	32.0	10.000 / 10.000	42.0	3.00	4800	32.0	13.50	5.00	2.0	0.20
	<i>1.260</i>		<i>1.654</i>			<i>1.260</i>	<i>0.531</i>	<i>0.197</i>		<i>0.008</i>

Indicates item not stocked at time of printing - Please enquire for lead time

E&OE Pricing and all details subject to change without notice - Copyright Miniature Bearings Australia Pty Ltd

MBA Size Listings are a guide to sizes only and must not be solely relied on for critical design information.



DISTRIBUTED BY

Ask us to put your name and address here

<http://www.minibearings.com.au/product>

Ph +61 7 3245 7977

Fax +61 7 3245 1017

Catalogue requests to catalogues@minibearings.com.au

