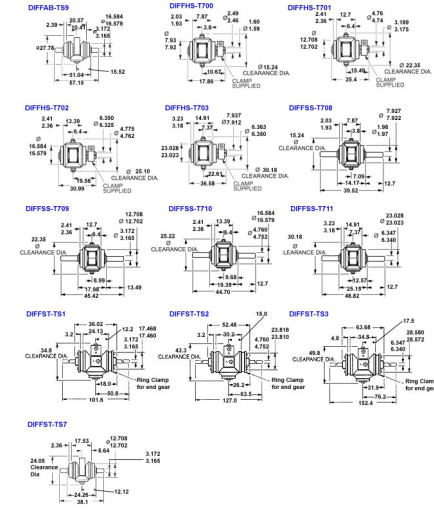




# MBA

## Differentials - Precision

Miniature precision stainless steel diffs.



## Differentials - Precision

Part Number	Load Rating g.cm	Max. Speed RPM	Breakaway Torque g.cm	Type	Pitch	Shaft Diameter mm <i>inches</i>	Material	Overall Length mm <i>inches</i>	Clearance Diameter mm <i>inches</i>
# DIFFHS-T700	576	700	5.04	Hollow Shaft	96	1.588 <i>0.063</i>	Stainless Steel	17.856 <i>0.703</i>	15.240 <i>0.600</i>
# DIFFSS-T708	720	1000	3.6	Solid Shaft	96	1.984 <i>0.078</i>	Stainless Steel	39.522 <i>1.556</i>	15.240 <i>0.600</i>
# DIFFHS-T701	1800	900	5.04	Hollow Shaft	64	3.175 <i>0.125</i>	Stainless Steel	25.400 <i>1.000</i>	22.428 <i>0.883</i>
# DIFFSS-T710	1800	1000	5.04	Solid Shaft	64	4.775 <i>0.188</i>	Stainless Steel	44.704 <i>1.760</i>	25.222 <i>0.993</i>

# Indicates item not stocked at time of printing - Please enquire for lead time  
 E&OE Pricing and all details subject to change without notice - Copyright Miniature Bearings Australia Pty Ltd  
 MBA Size Listings are a guide to sizes only and must not be solely relied on for critical design information.

## Differentials - Precision

Part Number	Load Rating g.cm	Max. Speed RPM	Breakaway Torque g.cm	Type	Pitch	Shaft Diameter mm <i>inches</i>	Material	Overall Length mm <i>inches</i>	Clearance Diameter mm <i>inches</i>
# DIFFSS-T709	1800	1000	5.04	Solid Shaft	64	3.175 <i>0.125</i>	Stainless Steel	45.415 <i>1.788</i>	22.352 <i>0.880</i>
# DIFFST-TS7	1872	800	5.76	Standard	64	3.175 <i>0.125</i>	Stainless Steel	38.10 <i>1.500</i>	24.05 <i>0.947</i>
# DIFFHS-T702	1944	900	5.04	Hollow Shaft	64	4.775 <i>0.188</i>	Stainless Steel	30.988 <i>1.220</i>	25.095 <i>0.988</i>
# DIFFHS-T703	2016	900	10.8	Hollow Shaft	64	6.350 <i>0.250</i>	Stainless Steel	36.576 <i>1.440</i>	30.175 <i>1.188</i>
# DIFFSS-T711	2100	1000	10.8	Solid Shaft	64	6.350 <i>0.250</i>	Stainless Steel	48.819 <i>1.922</i>	30.175 <i>1.188</i>
# DIFFAB-TS9	3500	1000	10.8	Antibacklash	72	3.175 <i>0.125</i>	Stainless Steel	57.150 <i>2.250</i>	27.781 <i>1.094</i>
# DIFFST-TS1	3528	600	14.40	Standard	72	3.175 <i>0.125</i>	Stainless Steel	101.60 <i>4.000</i>	34.80 <i>1.370</i>
# DIFFST-TS3	5760	2400	6.48	Standard	48	6.350 <i>0.250</i>	Stainless Steel	152.40 <i>6.000</i>	49.78 <i>1.960</i>
# DIFFST-TS2	5760	2400	14.40	Standard	64	4.775 <i>0.188</i>	Stainless Steel	127.00 <i>5.000</i>	43.33 <i>1.706</i>

# Indicates item not stocked at time of printing - Please enquire for lead time

E&OE Pricing and all details subject to change without notice - Copyright Miniature Bearings Australia Pty Ltd

MBA Size Listings are a guide to sizes only and must not be solely relied on for critical design information.



DISTRIBUTED BY

Ask us to put your name and address here

<http://www.minibearings.com.au/product>

Ph +61 7 3245 7977

Fax +61 7 3245 1017

Catalogue requests to [catalogues@minibearings.com.au](mailto:catalogues@minibearings.com.au)

