



MBA

Dual Vee - Wheel Plate Assembly - Wiper

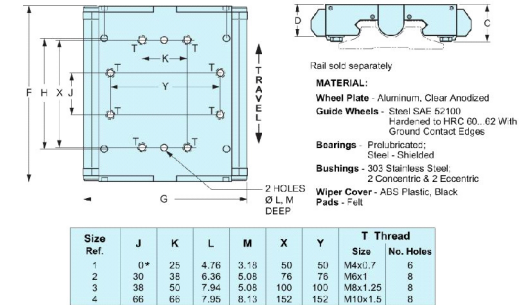
Use with wheel plate assembly track.

Rail sold separately.

Match with correct Rail Size.

This catalogue to be read in conjunction with information at
http://www.minibearings.com.au/ogue/tech/dualvee/Dual_Vee_1.pdf

http://www.minibearings.com.au/ogue/tech/dualvee/Dual_Vee_2.pdf



Dual Vee - Wheel Plate Assembly - Wiper

Part Number	Rail Size	Height (C) mm <i>inches</i>	Overall Size (G x F) mm <i>inches</i>	Bearing	Guide Wheel Material	Holes Nr.	Wheel Plate Material	Thread Size	Wiper Cover Material
# WPAW-1	1	18.5 <i>0.728</i>	78 x 94	Prelubricated-Shielded	52100 Hardened (HRC 60...62)	6	Aluminum - Clear Anodised	M4 x 0.7	ABS Plastic, Black
# WPAW-2	2	26.4 <i>1.039</i>	115.3 x 129.8	Prelubricated-Shielded	52100 Hardened (HRC 60...62)	8	Aluminum - Clear Anodised	M6 x 1	ABS Plastic, Black
# WPAW-3	3	35.6 <i>1.402</i>	161.3 x 177.5	Prelubricated-Shielded	52100 Hardened (HRC 60...62)	8	Aluminum - Clear Anodised	M8 x 1.5	ABS Plastic, Black

Indicates item not stocked at time of printing - Please enquire for lead time

E&OE Pricing and all details subject to change without notice - Copyright Miniature Bearings Australia Pty Ltd

MBA Size Listings are a guide to sizes only and must not be solely relied on for critical design information.

Dual Vee - Wheel Plate Assembly - Wiper

Part Number	Rail Size	Height (C) mm <i>inches</i>	Overall Size (G x F) mm <i>inches</i>	Bearing	Guide Wheel Material	Holes Nr.	Wheel Plate Material	Thread Size	Wiper Cover Material
# WPAW-4	4	45.7 <i>1.799</i>	213.1 x 243.8	Prelubricated-Shielded	52100 Hardened (HRC 60...62)	8	Aluminum - Clear Anodised	M10 x 1.5	ABS Plastic, Black

Indicates item not stocked at time of printing - Please enquire for lead time

E&OE Pricing and all details subject to change without notice - Copyright Miniature Bearings Australia Pty Ltd

MBA Size Listings are a guide to sizes only and must not be solely relied on for critical design information.



DISTRIBUTED BY

Ask us to put your name and address here

<http://www.minibearings.com.au/product>

Ph +61 7 3245 7977

Fax +61 7 3245 1017

Catalogue requests to catalogues@minibearings.com.au
