



MBA

Gearboxes - Right Angle - 125.0 x 125.0 x 80.0mm

BLH60 Series.

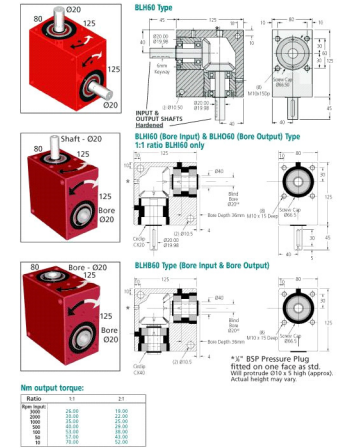
Case: AA15 Red Anodised Aluminum (6082-T6).

Shaft Bevel: Hardened Alloy Steel 655M13 (14NiCr14) or 805M20 (21NiCrMo2) (8620) depending on manufacturer's preference.

Threaded Bearing Caps: Mild Steel, chemically blackened (blackodised).

Fasteners: Steel (non-plated) Bearings: Steel.

Lubrication: Greased for life - Shell Alvania Grease HDX2.



Gearboxes - Right Angle - 125.0 x 125.0 x 80.0mm

Part Number	Ratio	Efficiency at 1000 RPM %	Max. Input Speed	Max. Output Speed	Gear Module	Input Shaft	Output Shaft
# BLHB60-2	2 : 1	88	3000	1500	2	Bore	Bore
# BLHO60-2	2 : 1	88	3000	1500	2	Hardened Shaft	Bore
# BLHI60-2	2 : 1	88	3000	1500	2	Bore	Hardened Shaft
# BLH60-2	2 : 1	88	3000	1500	2	Hardened Shaft	Hardened Shaft

Indicates item not stocked at time of printing - Please enquire for lead time

E&OE Pricing and all details subject to change without notice - Copyright Miniature Bearings Australia Pty Ltd

MBA Size Listings are a guide to sizes only and must not be solely relied on for critical design information.

Gearboxes - Right Angle - 125.0 x 125.0 x 80.0mm

Part Number	Ratio	Efficiency at 1000 RPM %	Max. Input Speed	Max. Output Speed	Gear Module	Input Shaft	Output Shaft
# BLHB60-1	1 : 1	88	3000	3000	2	Bore	Bore
# BLHI60-1	1 : 1	88	3000	3000	2	Bore	Hardened Shaft
# BLH60-1	1 : 1	88	3000	3000	2	Hardened Shaft	Hardened Shaft

Indicates item not stocked at time of printing - Please enquire for lead time

E&OE Pricing and all details subject to change without notice - Copyright Miniature Bearings Australia Pty Ltd

MBA Size Listings are a guide to sizes only and must not be solely relied on for critical design information.



DISTRIBUTED BY

Ask us to put your name and address here

<http://www.minibearings.com.au/product>

Ph +61 7 3245 7977

Fax +61 7 3245 1017

Catalogue requests to catalogues@minibearings.com.au

