



MBA

Gearheads - Inline - Planetary - Size 17 - Precision

Use with NEMA Size 17 Motors.

Stainless Steel housing - Heat Treated Steel Gears - Sealed ball bearings - Aluminium mounting flange.

Shaft loading 25.4kg (57 lbs) radial and 24.5kg (55 lbs) axial / Maximum input speed 6500 rpm.

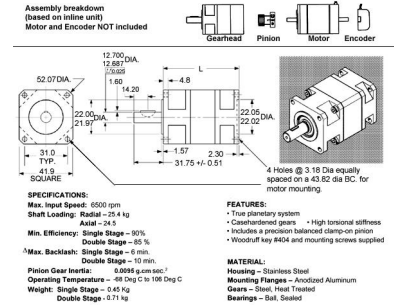
Min. Efficiency ---- Single Stage : 90%, Double Stage : 85%.

Max Backlash ---- Single Stage : 6 arc min, Double Stage : 10 arc min.

Operating Temperature : -54 to 121 Deg C (-65 to 250 Deg F).

This catalogue to be read in conjunction with information at http://www.minibearings.com.au/ogue/tech/gearheads/Nema_Sizes.pdf

http://www.minibearings.com.au/ogue/tech/gearheads/Gear_Types.pdf



Gearheads - Inline - Planetary - Size 17 - Precision

Part Number	Ratio	Motor Shaft Diameter mm	Config. / Output Shaft	Bolt Circle (A) mm	Motor Shaft Length mm	Max Rated Cont. Torque N.m	Unit Width / Pilot Dia. mm	Length mm
		<i>inches</i>		<i>inches</i>	<i>inches</i>		<i>inches</i>	<i>inches</i>
# GHIP17-003-05.00x43.8L	3 : 1	5.0	Single Stage / 12.70	43.8	24.0	19	41.91 / 22.04	63.50
		<i>0.197</i>		<i>1.724</i>	<i>0.945</i>			<i>2.500</i>
# GHIP17-004-05.00x43.8L	4 : 1	5.0	Single Stage / 12.70	43.8	24.0	18	41.91 / 22.04	63.50
		<i>0.197</i>		<i>1.724</i>	<i>0.945</i>			<i>2.500</i>

Indicates item not stocked at time of printing - Please enquire for lead time

E&OE Pricing and all details subject to change without notice - Copyright Miniature Bearings Australia Pty Ltd

MBA Size Listings are a guide to sizes only and must not be solely relied on for critical design information.

Gearheads - Inline - Planetary - Size 17 - Precision

Part Number	Ratio	Motor Shaft Diameter mm	Config. / Output Shaft	Bolt Circle (A) mm	Motor Shaft Length mm	Max Rated Cont. Torque N.m	Unit Width / Pilot Dia. mm	Length mm
		<i>inches</i>		<i>inches</i>	<i>inches</i>		<i>inches</i>	<i>inches</i>
# GHIP17-006-05.00x43.8L	5.5 : 1	5.0 <i>0.197</i>	Single Stage / 12.70	43.8 <i>1.724</i>	24.0 <i>0.945</i>	16	41.91 / 22.04	63.50 <i>2.500</i>
# GHIP17-007-05.00x43.8L	7 : 1	5.0 <i>0.197</i>	Single Stage / 12.70	43.8 <i>1.724</i>	24.0 <i>0.945</i>	13	41.91 / 22.04	63.50 <i>2.500</i>
# GHIP17-010-05.00x43.8L	10 : 1	5.0 <i>0.197</i>	Single Stage / 12.70	43.8 <i>1.724</i>	24.0 <i>0.945</i>	6	41.91 / 22.04	63.50 <i>2.500</i>
# GHIP17-016-05.00x43.8L	16 : 1	5.0 <i>0.197</i>	Double Stage / 12.70	43.8 <i>1.724</i>	24.0 <i>0.945</i>	19	41.91 / 22.04	78.74 <i>3.100</i>
# GHIP17-022-05.00x43.8L	22 : 1	5.0 <i>0.197</i>	Double Stage / 12.70	43.8 <i>1.724</i>	24.0 <i>0.945</i>	19	41.91 / 22.04	78.74 <i>3.100</i>
# GHIP17-028-05.00x43.8L	28 : 1	5.0 <i>0.197</i>	Double Stage / 12.70	43.8 <i>1.724</i>	24.0 <i>0.945</i>	19	41.91 / 22.04	78.74 <i>3.100</i>
# GHIP17-040-05.00x43.8L	40 : 1	5.0 <i>0.197</i>	Double Stage / 12.70	43.8 <i>1.724</i>	24.0 <i>0.945</i>	20	41.91 / 22.04	78.74 <i>3.100</i>
# GHIP17-049-05.00x43.8L	49 : 1	5.0 <i>0.197</i>	Double Stage / 12.70	43.8 <i>1.724</i>	24.0 <i>0.945</i>	14	41.91 / 22.04	78.74 <i>3.100</i>

Indicates item not stocked at time of printing - Please enquire for lead time

E&OE Pricing and all details subject to change without notice - Copyright Miniature Bearings Australia Pty Ltd

MBA Size Listings are a guide to sizes only and must not be solely relied on for critical design information.

Gearheads - Inline - Planetary - Size 17 - Precision

Part Number	Ratio	Motor Shaft Diameter mm	Config. / Output Shaft	Bolt Circle (A) mm	Motor Shaft Length mm	Max Rated Cont. Torque N.m	Unit Width / Pilot Dia. mm	Length mm
		<i>inches</i>		<i>inches</i>	<i>inches</i>		<i>inches</i>	<i>inches</i>
# GHIP17-055-05.00x43.8L	55 : 1	5.0	Double Stage / 12.70	43.8	24.0	18	41.91 / 22.04	78.74
		<i>0.197</i>		<i>1.724</i>	<i>0.945</i>			<i>3.100</i>
# GHIP17-070-05.00x43.8L	70 : 1	5.0	Double Stage / 12.70	43.8	24.0	14.4	41.91 / 22.04	78.74
		<i>0.197</i>		<i>1.724</i>	<i>0.945</i>			<i>3.100</i>
GHIP17-100-05.00x43.8L	100 : 1	5.0	Double Stage / 12.70	43.8	24.0	6	41.91 / 22.04	78.74
		<i>0.197</i>		<i>1.724</i>	<i>0.945</i>			<i>3.100</i>

Indicates item not stocked at time of printing - Please enquire for lead time

E&OE Pricing and all details subject to change without notice - Copyright Miniature Bearings Australia Pty Ltd

MBA Size Listings are a guide to sizes only and must not be solely relied on for critical design information.



DISTRIBUTED BY

Ask us to put your name and address here

<http://www.minibearings.com.au/product>

Ph +61 7 3245 7977

Fax +61 7 3245 1017

Catalogue requests to catalogues@minibearings.com.au

