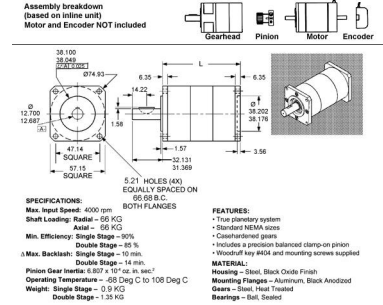




MBA

Gearheads - Inline - Planetary - Size 23 - Economy



Use with NEMA Size 23 Motors.

Steel housing - Heat Treated Steel Gears - Sealed ball bearings - Aluminium Flanges.

Shaft loading 66kg (150 lbs) radial and 66kg (150 lbs) axial / Maximum input speed 4000 rpm.

Min. Efficiency ---- Single Stage : 90%, Double Stage : 85%.

Max Backlash ---- Single Stage : 10 arc min, Double Stage : 14 arc min.

Operating Temperature : -54 to 121 Deg C (-65 to 250 Deg F).

This catalogue to be read in conjunction with information at http://www.minibearings.com.au/ogue/tech/gearheads/Nema_Sizes.pdf

http://www.minibearings.com.au/ogue/tech/gearheads/Gear_Types.pdf

Gearheads - Inline - Planetary - Size 23 - Economy

Part Number	Ratio	Motor Shaft Diameter mm	Config. / Output Shaft	Bolt Circle (A) mm	Motor Shaft Length mm	Max Rated Cont. Torque N.m	Unit Width / Pilot Dia. (A/E) mm	Length (L) mm
		<i>inches</i>		<i>inches</i>	<i>inches</i>		<i>inches</i>	<i>inches</i>
# GHIP23-003-06.35x067E	3 : 1	6.35	Single Stage / 12.70	66.68	20.57 Max.	32	57.15 / 38.18	79.25
		<i>0.250</i>		<i>2.625</i>				<i>3.120</i>
# GHIP23-004-06.35x067E	4 : 1	6.35	Single Stage / 12.70	66.68	20.57 Max.	30	57.15 / 38.18	79.25
		<i>0.250</i>		<i>2.625</i>				<i>3.120</i>

Indicates item not stocked at time of printing - Please enquire for lead time
 E&OE Pricing and all details subject to change without notice - Copyright Miniature Bearings Australia Pty Ltd
 MBA Size Listings are a guide to sizes only and must not be solely relied on for critical design information.

Gearheads - Inline - Planetary - Size 23 - Economy

Part Number	Ratio	Motor Shaft Diameter mm	Config. / Output Shaft	Bolt Circle (A) mm	Motor Shaft Length mm	Max Rated Cont. Torque N.m	Unit Width / Pilot Dia. (A/E) mm	Length (L) mm
		<i>inches</i>		<i>inches</i>	<i>inches</i>		<i>inches</i>	<i>inches</i>
# GHIP23-006-06.35x067E	5.5 : 1	6.35 <i>0.250</i>	Single Stage / 12.70	66.68 <i>2.625</i>	20.57 Max.	27	57.15 / 38.18	79.25 <i>3.120</i>
# GHIP23-007-06.35x067E	7 : 1	6.35 <i>0.250</i>	Single Stage / 12.70	66.68 <i>2.625</i>	20.57 Max.	22	57.15 / 38.18	79.25 <i>3.120</i>
# GHIP23-010-06.35x067E	10 : 1	6.35 <i>0.250</i>	Single Stage / 12.70	66.68 <i>2.625</i>	20.57 Max.	13	57.15 / 38.18	79.25 <i>3.120</i>
# GHIP23-016-06.35x067E	16 : 1	6.35 <i>0.250</i>	Double Stage / 12.70	66.68 <i>2.625</i>	20.57 Max.	32	57.15 / 38.18	106.68 <i>4.200</i>
# GHIP23-022-06.35x067E	22 : 1	6.35 <i>0.250</i>	Double Stage / 12.70	66.68 <i>2.625</i>	20.57 Max.	32	57.15 / 38.18	106.68 <i>4.200</i>
# GHIP23-028-06.35x067E	28 : 1	6.35 <i>0.250</i>	Double Stage / 12.70	66.68 <i>2.625</i>	20.57 Max.	33	57.15 / 38.18	106.68 <i>4.200</i>
# GHIP23-040-06.35x067E	40 : 1	6.35 <i>0.250</i>	Double Stage / 12.70	66.68 <i>2.625</i>	20.57 Max.	33	57.15 / 38.18	106.68 <i>4.200</i>
# GHIP23-049-06.35x067E	49 : 1	6.35 <i>0.250</i>	Double Stage / 12.70	66.68 <i>2.625</i>	20.57 Max.	24	57.15 / 38.18	106.68 <i>4.200</i>

Indicates item not stocked at time of printing - Please enquire for lead time

E&OE Pricing and all details subject to change without notice - Copyright Miniature Bearings Australia Pty Ltd

MBA Size Listings are a guide to sizes only and must not be solely relied on for critical design information.

Gearheads - Inline - Planetary - Size 23 - Economy

Part Number	Ratio	Motor Shaft Diameter mm	Config. / Output Shaft	Bolt Circle (A) mm	Motor Shaft Length mm	Max Rated Cont. Torque N.m	Unit Width / Pilot Dia. (A/E) mm	Length (L) mm
		<i>inches</i>		<i>inches</i>	<i>inches</i>		<i>inches</i>	<i>inches</i>
# GHIP23-055-06.35x067E	55 : 1	6.35	Double Stage / 12.70	66.68	20.57 Max.	29	57.15 / 38.18	106.68
		<i>0.250</i>		<i>2.625</i>				<i>4.200</i>
# GHIP23-070-06.35x067E	70 : 1	6.35	Double Stage / 12.70	66.68	20.57 Max.	24	57.15 / 38.18	106.68
		<i>0.250</i>		<i>2.625</i>				<i>4.200</i>
# GHIP23-100-06.35x067E	100 : 1	6.35	Double Stage / 12.70	66.68	20.57 Max.	12	57.15 / 38.18	106.68
		<i>0.250</i>		<i>2.625</i>				<i>4.200</i>

Indicates item not stocked at time of printing - Please enquire for lead time

E&OE Pricing and all details subject to change without notice - Copyright Miniature Bearings Australia Pty Ltd

MBA Size Listings are a guide to sizes only and must not be solely relied on for critical design information.



DISTRIBUTED BY

Ask us to put your name and address here

<http://www.minibearings.com.au/product>

Ph +61 7 3245 7977

Fax +61 7 3245 1017

Catalogue requests to catalogues@minibearings.com.au
