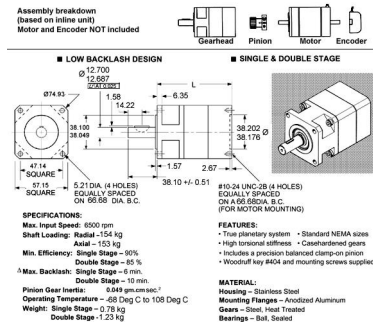




MBA

Gearheads - Inline - Planetary - Size 23 - Precision



Use with NEMA Size 23 Motors.

Stainless Steel housing - Heat Treated Steel Gears - Sealed ball bearings - Aluminium mounting flange.

Shaft loading 154kg (347 lbs) radial and 153kg (344 lbs) axial / Maximum input speed 6500 rpm.

Min. Efficiency ---- Single Stage : 90%, Double Stage : 85%.

Max Backlash ---- Single Stage : 6 arc min, Double Stage : 10 arc min.

Operating Temperature : -54 to 121 Deg C (-65 to 250 Deg F).

This catalogue to be read in conjunction with information at http://www.minibearings.com.au/ogue/tech/gearheads/Nema_Sizes.pdf

http://www.minibearings.com.au/ogue/tech/gearheads/Gear_Types.pdf

Gearheads - Inline - Planetary - Size 23 - Precision

Part Number	Ratio	Motor Shaft Diameter mm	Config. / Output Shaft	Bolt Circle (A) mm	Motor Shaft Length mm	Max Rated Cont. Torque N.m	Unit Width / Pilot Dia. (A/E) mm	Length (L) mm
		<i>inches</i>		<i>inches</i>	<i>inches</i>		<i>inches</i>	<i>inches</i>
# GHIP23-003-06.35x067P	3 : 1	6.35	Single Stage / 12.70	66.68	20.57 Max.	43		
		<i>0.250</i>		<i>2.625</i>				
# GHIP23-004-06.35x067P	4 : 1	6.35	Single Stage / 12.70	66.68	20.57 Max.	41	57.15 / 38.18	68.58
		<i>0.250</i>		<i>2.625</i>				<i>2.700</i>

Indicates item not stocked at time of printing - Please enquire for lead time
 E&OE Pricing and all details subject to change without notice - Copyright Miniature Bearings Australia Pty Ltd
 MBA Size Listings are a guide to sizes only and must not be solely relied on for critical design information.

Gearheads - Inline - Planetary - Size 23 - Precision

Part Number	Ratio	Motor Shaft Diameter mm	Config. / Output Shaft	Bolt Circle (A) mm	Motor Shaft Length mm	Max Rated Cont. Torque N.m	Unit Width / Pilot Dia. (A/E) mm	Length (L) mm
		<i>inches</i>		<i>inches</i>	<i>inches</i>		<i>inches</i>	<i>inches</i>
# GHIP23-006-06.35x067P	5.5 : 1	6.35 <i>0.250</i>	Single Stage / 12.70	66.68 <i>2.625</i>	20.57 Max.	36	57.15 / 38.18	68.58 <i>2.700</i>
# GHIP23-007-06.35x067P	7 : 1	6.35 <i>0.250</i>	Single Stage / 12.70	66.68 <i>2.625</i>	20.57 Max.	30	57.15 / 38.18	68.58 <i>2.700</i>
# GHIP23-010-06.35x067P	10 : 1	6.35 <i>0.250</i>	Single Stage / 12.70	66.68 <i>2.625</i>	20.57 Max.	13	57.15 / 38.18	68.58 <i>2.700</i>
# GHIP23-016-06.35x067P	16 : 1	6.35 <i>0.250</i>	Double Stage / 12.70	66.68 <i>2.625</i>	20.57 Max.	4	57.15 / 38.18	88.90 <i>3.500</i>
# GHIP23-022-06.35x067P	22 : 1	6.35 <i>0.250</i>	Double Stage / 12.70	66.68 <i>2.625</i>	20.57 Max.	43	57.15 / 38.18	88.90 <i>3.500</i>
# GHIP23-028-06.35x067P	28 : 1	6.35 <i>0.250</i>	Double Stage / 12.70	66.68 <i>2.625</i>	20.57 Max.	43	57.15 / 38.18	88.90 <i>3.500</i>
# GHIP23-040-06.35x067P	40 : 1	6.35 <i>0.250</i>	Double Stage / 12.70	66.68 <i>2.625</i>	20.57 Max.	44	57.15 / 38.18	88.90 <i>3.500</i>
# GHIP23-049-06.35x067P	49 : 1	6.35 <i>0.250</i>	Double Stage / 12.70	66.68 <i>2.625</i>	20.57 Max.	32	57.15 / 38.18	88.90 <i>3.500</i>

Indicates item not stocked at time of printing - Please enquire for lead time

E&OE Pricing and all details subject to change without notice - Copyright Miniature Bearings Australia Pty Ltd

MBA Size Listings are a guide to sizes only and must not be solely relied on for critical design information.

Gearheads - Inline - Planetary - Size 23 - Precision

Part Number	Ratio	Motor Shaft Diameter mm	Config. / Output Shaft	Bolt Circle (A) mm	Motor Shaft Length mm	Max Rated Cont. Torque N.m	Unit Width / Pilot Dia. (A/E) mm	Length (L) mm
		<i>inches</i>		<i>inches</i>	<i>inches</i>		<i>inches</i>	<i>inches</i>
# GHIP23-055-06.35x067P	55 : 1	6.35	Double Stage / 12.70	66.68	20.57 Max.	39	57.15 / 38.18	88.90
		<i>0.250</i>		<i>2.625</i>				<i>3.500</i>
# GHIP23-070-06.35x067P	70 : 1	6.35	Double Stage / 12.70	66.68	20.57 Max.	33	57.15 / 38.18	88.90
		<i>0.250</i>		<i>2.625</i>				<i>3.500</i>
# GHIP23-100-06.35x067P	100 : 1	6.35	Double Stage / 12.70	66.68	20.57 Max.	12	57.15 / 38.18	88.90
		<i>0.250</i>		<i>2.625</i>				<i>3.500</i>

Indicates item not stocked at time of printing - Please enquire for lead time

E&OE Pricing and all details subject to change without notice - Copyright Miniature Bearings Australia Pty Ltd

MBA Size Listings are a guide to sizes only and must not be solely relied on for critical design information.



DISTRIBUTED BY

Ask us to put your name and address here

<http://www.minibearings.com.au/product>

Ph +61 7 3245 7977

Fax +61 7 3245 1017

Catalogue requests to catalogues@minibearings.com.au

