



MBA

Gearheads - Inline - Planetary - Size 115 - Adapted

With Nema and Non Nema Size Adaptors.

Maximum input speed 4000 rpm.

Shaft loading 82kg (184 lbs) radial and 526kg (1180 lbs) axial at 250rpm output.

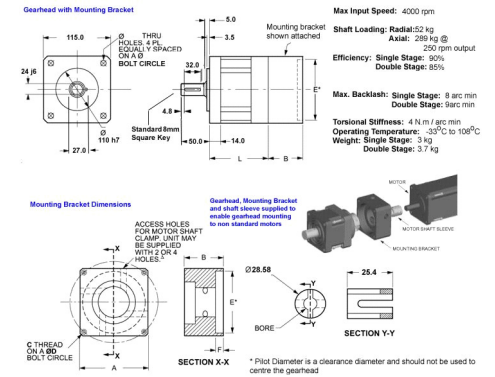
Min. Efficiency ---- Single Stage : 90%, Double Stage : 85%.

Max Backlash ---- Single Stage : 8 arc min, Double Stage : 9 arc min.

Operating Temperature : -34 to 121 Deg C (-29 to 250 Deg F).

This catalogue to be read in conjunction with information at http://www.minibearings.com.au/ogue/tech/gearheads/gearhead_adapted_general.pdf

http://www.minibearings.com.au/ogue/tech/gearheads/gearhead_adapted_mounting.pdf



Gearheads - Inline - Planetary - Size 115 - Adapted

Part Number	Ratio	Motor Shaft Diameter mm	Config. / Output Shaft	Bolt Circle (D) mm	Motor Shaft Length mm	Cont. Torque at 1000/4000 rpm N.m	Bracket Size (A/E) mm	Length without Bracket (L) mm	Bracket Height (B) mm
		<i>inches</i>		<i>inches</i>	<i>inches</i>		<i>inches</i>	<i>inches</i>	<i>inches</i>
# GHIP115-003-14.00x126	3 : 1	14.000	Single Stage / 24mm	126.000	25.1 to 53.8	86 / 46 (761 / 407 lb.in)	136.9 / 80.4	88.0	48.9
		<i>0.551</i>		<i>4.961</i>				<i>3.465</i>	<i>1.925</i>
# GHIP115-003-14.00x165	3 : 1	14.000	Single Stage / 24mm	165.000	36 to 65	86 / 46 (761 / 407 lb.in)	147.9 / 130.4	88.0	59.9
		<i>0.551</i>		<i>6.496</i>				<i>3.465</i>	<i>2.358</i>

Indicates item not stocked at time of printing - Please enquire for lead time
 E&OE Pricing and all details subject to change without notice - Copyright Miniature Bearings Australia Pty Ltd
 MBA Size Listings are a guide to sizes only and must not be solely relied on for critical design information.

Gearheads - Inline - Planetary - Size 115 - Adapted

Part Number	Ratio	Motor Shaft Diameter mm	Config. / Output Shaft	Bolt Circle (D) mm	Motor Shaft Length mm	Cont. Torque at 1000/4000 rpm N.m	Bracket Size (A/E) mm	Length without Bracket (L) mm	Bracket Height (B) mm
		<i>inches</i>		<i>inches</i>	<i>inches</i>		<i>inches</i>	<i>inches</i>	<i>inches</i>
# GHIP115-003-14.00x100	3 : 1	14.000	Single Stage / 24mm	100.000	25.1 to 53.8	86 / 46 (761 / 407 lb.in)	136.9 / 80.4	88.0	48.9
		<i>0.551</i>		<i>3.937</i>				<i>3.465</i>	<i>1.925</i>
# GHIP115-003-14.00x145	3 : 1	14.000	Single Stage / 24mm	145.000	36 to 65	86 / 46 (761 / 407 lb.in)	147.9 / 110.4	88.0	59.9
		<i>0.551</i>		<i>5.709</i>				<i>3.465</i>	<i>2.358</i>
# GHIP115-003-15.88x165	3 : 1	15.875	Single Stage / 24mm	165.000	36 to 65	86 / 46 (761 / 407 lb.in)	147.9 / 130.4	88.0	59.9
		<i>0.625</i>		<i>6.496</i>				<i>3.465</i>	<i>2.358</i>
# GHIP115-003-15.88x126	3 : 1	15.875	Single Stage / 24mm	126.000	25.1 to 53.8	86 / 46 (761 / 407 lb.in)	136.9 / 80.4	88.0	48.9
		<i>0.625</i>		<i>4.961</i>				<i>3.465</i>	<i>1.925</i>
# GHIP115-003-15.88x145	3 : 1	15.875	Single Stage / 24mm	145.000	36 to 65	86 / 46 (761 / 407 lb.in)	147.9 / 110.4	88.0	59.9
		<i>0.625</i>		<i>5.709</i>				<i>3.465</i>	<i>2.358</i>
# GHIP115-003-16.00x126	3 : 1	16.000	Single Stage / 24mm	126.000	25.1 to 53.8	86 / 46 (761 / 407 lb.in)	136.9 / 80.4	88.0	48.9
		<i>0.630</i>		<i>4.961</i>				<i>3.465</i>	<i>1.925</i>
# GHIP115-003-16.00x165	3 : 1	16.000	Single Stage / 24mm	165.000	36 to 65	86 / 46 (761 / 407 lb.in)	147.9 / 130.4	88.0	59.9
		<i>0.630</i>		<i>6.496</i>				<i>3.465</i>	<i>2.358</i>
# GHIP115-003-16.00x100	3 : 1	16.000	Single Stage / 24mm	100.000	25.1 to 53.8	86 / 46 (761 / 407 lb.in)	136.9 / 80.4	88.0	48.9
		<i>0.630</i>		<i>3.937</i>				<i>3.465</i>	<i>1.925</i>

Indicates item not stocked at time of printing - Please enquire for lead time

E&OE Pricing and all details subject to change without notice - Copyright Miniature Bearings Australia Pty Ltd

MBA Size Listings are a guide to sizes only and must not be solely relied on for critical design information.

Gearheads - Inline - Planetary - Size 115 - Adapted

Part Number	Ratio	Motor Shaft Diameter mm	Config. / Output Shaft	Bolt Circle (D) mm	Motor Shaft Length mm	Cont. Torque at 1000/4000 rpm N.m	Bracket Size (A/E) mm	Length without Bracket (L) mm	Bracket Height (B) mm
		<i>inches</i>		<i>inches</i>	<i>inches</i>		<i>inches</i>	<i>inches</i>	<i>inches</i>
# GHIP115-003-16.00x145	3 : 1	16.000	Single Stage / 24mm	145.000	36 to 65	86 / 46 (761 / 407 lb.in)	147.9 / 110.4	88.0	59.9
		<i>0.630</i>		<i>5.709</i>				<i>3.465</i>	<i>2.358</i>
# GHIP115-003-19.00x100	3 : 1	19.000	Single Stage / 24mm	100.000	25.1 to 53.8	86 / 46 (761 / 407 lb.in)	136.9 / 80.4	88.0	48.9
		<i>0.748</i>		<i>3.937</i>				<i>3.465</i>	<i>1.925</i>
# GHIP115-003-19.00x145	3 : 1	19.000	Single Stage / 24mm	145.000	36 to 65	86 / 46 (761 / 407 lb.in)	147.9 / 110.4	88.0	59.9
		<i>0.748</i>		<i>5.709</i>				<i>3.465</i>	<i>2.358</i>
# GHIP115-003-19.00x126	3 : 1	19.000	Single Stage / 24mm	126.000	25.1 to 53.8	86 / 46 (761 / 407 lb.in)	136.9 / 80.4	88.0	48.9
		<i>0.748</i>		<i>4.961</i>				<i>3.465</i>	<i>1.925</i>
# GHIP115-003-19.00x165	3 : 1	19.000	Single Stage / 24mm	165.000	36 to 65	86 / 46 (761 / 407 lb.in)	147.9 / 130.4	88.0	59.9
		<i>0.748</i>		<i>6.496</i>				<i>3.465</i>	<i>2.358</i>
# GHIP115-003-22.00x165	3 : 1	22.000	Single Stage / 24mm	165.000	36 to 65	86 / 46 (761 / 407 lb.in)	147.9 / 130.4	88.0	59.9
		<i>0.866</i>		<i>6.496</i>				<i>3.465</i>	<i>2.358</i>
# GHIP115-003-22.00x126	3 : 1	22.000	Single Stage / 24mm	126.000	25.1 to 53.8	86 / 46 (761 / 407 lb.in)	136.9 / 80.4	88.0	48.9
		<i>0.866</i>		<i>4.961</i>				<i>3.465</i>	<i>1.925</i>
# GHIP115-003-22.00x100	3 : 1	22.000	Single Stage / 24mm	100.000	25.1 to 53.8	86 / 46 (761 / 407 lb.in)	136.9 / 80.4	88.0	48.9
		<i>0.866</i>		<i>3.937</i>				<i>3.465</i>	<i>1.925</i>

Indicates item not stocked at time of printing - Please enquire for lead time

E&OE Pricing and all details subject to change without notice - Copyright Miniature Bearings Australia Pty Ltd

MBA Size Listings are a guide to sizes only and must not be solely relied on for critical design information.

Gearheads - Inline - Planetary - Size 115 - Adapted

Part Number	Ratio	Motor Shaft Diameter mm	Config. / Output Shaft	Bolt Circle (D) mm	Motor Shaft Length mm	Cont. Torque at 1000/4000 rpm N.m	Bracket Size (A/E) mm	Length without Bracket (L) mm	Bracket Height (B) mm
		<i>inches</i>		<i>inches</i>	<i>inches</i>		<i>inches</i>	<i>inches</i>	<i>inches</i>
# GHIP115-003-22.00x145	3 : 1	22.000	Single Stage / 24mm	145.000	36 to 65	86 / 46 (761 / 407 lb.in)	147.9 / 110.4	88.0	59.9
		<i>0.866</i>		<i>5.709</i>				<i>3.465</i>	<i>2.358</i>
# GHIP115-003-24.00x145	3 : 1	24.000	Single Stage / 24mm	145.000	36 to 65	86 / 46 (761 / 407 lb.in)	147.9 / 110.4	88.0	59.9
		<i>0.945</i>		<i>5.709</i>				<i>3.465</i>	<i>2.358</i>
# GHIP115-003-24.00x126	3 : 1	24.000	Single Stage / 24mm	126.000	25.1 to 53.8	86 / 46 (761 / 407 lb.in)	136.9 / 80.4	88.0	48.9
		<i>0.945</i>		<i>4.961</i>				<i>3.465</i>	<i>1.925</i>
# GHIP115-003-24.00x165	3 : 1	24.000	Single Stage / 24mm	165.000	36 to 65	86 / 46 (761 / 407 lb.in)	147.9 / 130.4	88.0	59.9
		<i>0.945</i>		<i>6.496</i>				<i>3.465</i>	<i>2.358</i>
# GHIP115-003-24.00x100	3 : 1	24.000	Single Stage / 24mm	100.000	25.1 to 53.8	86 / 46 (761 / 407 lb.in)	136.9 / 80.4	88.0	48.9
		<i>0.945</i>		<i>3.937</i>				<i>3.465</i>	<i>1.925</i>
# GHIP115-003-25.40x100	3 : 1	25.400	Single Stage / 24mm	100.000	25.1 to 53.8	86 / 46 (761 / 407 lb.in)	136.9 / 80.4	88.0	48.9
		<i>1.000</i>		<i>3.937</i>				<i>3.465</i>	<i>1.925</i>
# GHIP115-003-25.40x126	3 : 1	25.400	Single Stage / 24mm	126.000	25.1 to 53.8	86 / 46 (761 / 407 lb.in)	136.9 / 80.4	88.0	48.9
		<i>1.000</i>		<i>4.961</i>				<i>3.465</i>	<i>1.925</i>
# GHIP115-003-25.40x145	3 : 1	25.400	Single Stage / 24mm	145.000	36 to 65	86 / 46 (761 / 407 lb.in)	147.9 / 110.4	88.0	59.9
		<i>1.000</i>		<i>5.709</i>				<i>3.465</i>	<i>2.358</i>

Indicates item not stocked at time of printing - Please enquire for lead time

E&OE Pricing and all details subject to change without notice - Copyright Miniature Bearings Australia Pty Ltd

MBA Size Listings are a guide to sizes only and must not be solely relied on for critical design information.

Gearheads - Inline - Planetary - Size 115 - Adapted

Part Number	Ratio	Motor Shaft Diameter mm	Config. / Output Shaft	Bolt Circle (D) mm	Motor Shaft Length mm	Cont. Torque at 1000/4000 rpm N.m	Bracket Size (A/E) mm	Length without Bracket (L) mm	Bracket Height (B) mm
		<i>inches</i>		<i>inches</i>	<i>inches</i>		<i>inches</i>	<i>inches</i>	<i>inches</i>
# GHIP115-003-25.40x165	3 : 1	25.400	Single Stage / 24mm	165.000	36 to 65	86 / 46 (761 / 407 lb.in)	147.9 / 130.4	88.0	59.9
		<i>1.000</i>		<i>6.496</i>				<i>3.465</i>	<i>2.358</i>
# GHIP115-005-14.00x126	5 : 1	14.000	Single Stage / 24mm	126.000	25.1 to 53.8	94 / 62 (832 / 549 lb.in)	136.9 / 80.4	88.0	48.9
		<i>0.551</i>		<i>4.961</i>				<i>3.465</i>	<i>1.925</i>
# GHIP115-005-14.00x165	5 : 1	14.000	Single Stage / 24mm	165.000	36 to 65	94 / 62 (832 / 549 lb.in)	147.9 / 130.4	88.0	59.9
		<i>0.551</i>		<i>6.496</i>				<i>3.465</i>	<i>2.358</i>
# GHIP115-005-14.00x145	5 : 1	14.000	Single Stage / 24mm	145.000	36 to 65	94 / 62 (832 / 549 lb.in)	147.9 / 110.4	88.0	59.9
		<i>0.551</i>		<i>5.709</i>				<i>3.465</i>	<i>2.358</i>
# GHIP115-005-14.00x100	5 : 1	14.000	Single Stage / 24mm	100.000	25.1 to 53.8	94 / 62 (832 / 549 lb.in)	136.9 / 80.4	88.0	48.9
		<i>0.551</i>		<i>3.937</i>				<i>3.465</i>	<i>1.925</i>
# GHIP115-005-15.88x126	5 : 1	15.875	Single Stage / 24mm	126.000	25.1 to 53.8	94 / 62 (832 / 549 lb.in)	136.9 / 80.4	88.0	48.9
		<i>0.625</i>		<i>4.961</i>				<i>3.465</i>	<i>1.925</i>
# GHIP115-005-15.88x145	5 : 1	15.875	Single Stage / 24mm	145.000	36 to 65	94 / 62 (832 / 549 lb.in)	147.9 / 110.4	88.0	59.9
		<i>0.625</i>		<i>5.709</i>				<i>3.465</i>	<i>2.358</i>
# GHIP115-005-15.88x165	5 : 1	15.875	Single Stage / 24mm	165.000	36 to 65	94 / 62 (832 / 549 lb.in)	147.9 / 130.4	88.0	59.9
		<i>0.625</i>		<i>6.496</i>				<i>3.465</i>	<i>2.358</i>

Indicates item not stocked at time of printing - Please enquire for lead time
 E&OE Pricing and all details subject to change without notice - Copyright Miniature Bearings Australia Pty Ltd
 MBA Size Listings are a guide to sizes only and must not be solely relied on for critical design information.

Gearheads - Inline - Planetary - Size 115 - Adapted

Part Number	Ratio	Motor Shaft Diameter mm	Config. / Output Shaft	Bolt Circle (D) mm	Motor Shaft Length mm	Cont. Torque at 1000/4000 rpm N.m	Bracket Size (A/E) mm	Length without Bracket (L) mm	Bracket Height (B) mm
		<i>inches</i>		<i>inches</i>	<i>inches</i>		<i>inches</i>	<i>inches</i>	<i>inches</i>
# GHIP115-005-16.00x145	5 : 1	16.000	Single Stage / 24mm	145.000	36 to 65	94 / 62 (832 / 549 lb.in)	147.9 / 110.4	88.0	59.9
		<i>0.630</i>		<i>5.709</i>				<i>3.465</i>	<i>2.358</i>
# GHIP115-005-16.00x165	5 : 1	16.000	Single Stage / 24mm	165.000	36 to 65	94 / 62 (832 / 549 lb.in)	147.9 / 130.4	88.0	59.9
		<i>0.630</i>		<i>6.496</i>				<i>3.465</i>	<i>2.358</i>
# GHIP115-005-16.00x100	5 : 1	16.000	Single Stage / 24mm	100.000	25.1 to 53.8	94 / 62 (832 / 549 lb.in)	136.9 / 80.4	88.0	48.9
		<i>0.630</i>		<i>3.937</i>				<i>3.465</i>	<i>1.925</i>
# GHIP115-005-16.00x126	5 : 1	16.000	Single Stage / 24mm	126.000	25.1 to 53.8	94 / 62 (832 / 549 lb.in)	136.9 / 80.4	88.0	48.9
		<i>0.630</i>		<i>4.961</i>				<i>3.465</i>	<i>1.925</i>
# GHIP115-005-19.00x165	5 : 1	19.000	Single Stage / 24mm	165.000	36 to 65	94 / 62 (832 / 549 lb.in)	147.9 / 130.4	88.0	59.9
		<i>0.748</i>		<i>6.496</i>				<i>3.465</i>	<i>2.358</i>
# GHIP115-005-19.00x126	5 : 1	19.000	Single Stage / 24mm	126.000	25.1 to 53.8	94 / 62 (832 / 549 lb.in)	136.9 / 80.4	88.0	48.9
		<i>0.748</i>		<i>4.961</i>				<i>3.465</i>	<i>1.925</i>
# GHIP115-005-19.00x145	5 : 1	19.000	Single Stage / 24mm	145.000	36 to 65	94 / 62 (832 / 549 lb.in)	147.9 / 110.4	88.0	59.9
		<i>0.748</i>		<i>5.709</i>				<i>3.465</i>	<i>2.358</i>
# GHIP115-005-19.00x100	5 : 1	19.000	Single Stage / 24mm	100.000	25.1 to 53.8	94 / 62 (832 / 549 lb.in)	136.9 / 80.4	88.0	48.9
		<i>0.748</i>		<i>3.937</i>				<i>3.465</i>	<i>1.925</i>

Indicates item not stocked at time of printing - Please enquire for lead time

E&OE Pricing and all details subject to change without notice - Copyright Miniature Bearings Australia Pty Ltd

MBA Size Listings are a guide to sizes only and must not be solely relied on for critical design information.

Gearheads - Inline - Planetary - Size 115 - Adapted

Part Number	Ratio	Motor Shaft Diameter mm	Config. / Output Shaft	Bolt Circle (D) mm	Motor Shaft Length mm	Cont. Torque at 1000/4000 rpm N.m	Bracket Size (A/E) mm	Length without Bracket (L) mm	Bracket Height (B) mm
		<i>inches</i>		<i>inches</i>	<i>inches</i>		<i>inches</i>	<i>inches</i>	<i>inches</i>
# GHIP115-005-22.00x126	5 : 1	22.000	Single Stage / 24mm	126.000	25.1 to 53.8	94 / 62 (832 / 549 lb.in)	136.9 / 80.4	88.0	48.9
		<i>0.866</i>		<i>4.961</i>				<i>3.465</i>	<i>1.925</i>
# GHIP115-005-22.00x165	5 : 1	22.000	Single Stage / 24mm	165.000	36 to 65	94 / 62 (832 / 549 lb.in)	147.9 / 130.4	88.0	59.9
		<i>0.866</i>		<i>6.496</i>				<i>3.465</i>	<i>2.358</i>
# GHIP115-005-22.00x145	5 : 1	22.000	Single Stage / 24mm	145.000	36 to 65	94 / 62 (832 / 549 lb.in)	147.9 / 110.4	88.0	59.9
		<i>0.866</i>		<i>5.709</i>				<i>3.465</i>	<i>2.358</i>
# GHIP115-005-22.00x100	5 : 1	22.000	Single Stage / 24mm	100.000	25.1 to 53.8	94 / 62 (832 / 549 lb.in)	136.9 / 80.4	88.0	48.9
		<i>0.866</i>		<i>3.937</i>				<i>3.465</i>	<i>1.925</i>
# GHIP115-005-24.00x145	5 : 1	24.000	Single Stage / 24mm	145.000	36 to 65	94 / 62 (832 / 549 lb.in)	147.9 / 110.4	88.0	59.9
		<i>0.945</i>		<i>5.709</i>				<i>3.465</i>	<i>2.358</i>
# GHIP115-005-24.00x126	5 : 1	24.000	Single Stage / 24mm	126.000	25.1 to 53.8	94 / 62 (832 / 549 lb.in)	136.9 / 80.4	88.0	48.9
		<i>0.945</i>		<i>4.961</i>				<i>3.465</i>	<i>1.925</i>
# GHIP115-005-24.00x165	5 : 1	24.000	Single Stage / 24mm	165.000	36 to 65	94 / 62 (832 / 549 lb.in)	147.9 / 130.4	88.0	59.9
		<i>0.945</i>		<i>6.496</i>				<i>3.465</i>	<i>2.358</i>
# GHIP115-005-24.00x100	5 : 1	24.000	Single Stage / 24mm	100.000	25.1 to 53.8	94 / 62 (832 / 549 lb.in)	136.9 / 80.4	88.0	48.9
		<i>0.945</i>		<i>3.937</i>				<i>3.465</i>	<i>1.925</i>

Indicates item not stocked at time of printing - Please enquire for lead time
 E&OE Pricing and all details subject to change without notice - Copyright Miniature Bearings Australia Pty Ltd
 MBA Size Listings are a guide to sizes only and must not be solely relied on for critical design information.

Gearheads - Inline - Planetary - Size 115 - Adapted

Part Number	Ratio	Motor Shaft Diameter mm	Config. / Output Shaft	Bolt Circle (D) mm	Motor Shaft Length mm	Cont. Torque at 1000/4000 rpm N.m	Bracket Size (A/E) mm	Length without Bracket (L) mm	Bracket Height (B) mm
		<i>inches</i>		<i>inches</i>	<i>inches</i>		<i>inches</i>	<i>inches</i>	<i>inches</i>
# GHIP115-005-25.40x126	5 : 1	25.400	Single Stage / 24mm	126.000	25.1 to 53.8	94 / 62 (832 / 549 lb.in)	136.9 / 80.4	88.0	48.9
		<i>1.000</i>		<i>4.961</i>				<i>3.465</i>	<i>1.925</i>
# GHIP115-005-25.40x145	5 : 1	25.400	Single Stage / 24mm	145.000	36 to 65	94 / 62 (832 / 549 lb.in)	147.9 / 110.4	88.0	59.9
		<i>1.000</i>		<i>5.709</i>				<i>3.465</i>	<i>2.358</i>
# GHIP115-005-25.40x165	5 : 1	25.400	Single Stage / 24mm	165.000	36 to 65	94 / 62 (832 / 549 lb.in)	147.9 / 130.4	88.0	59.9
		<i>1.000</i>		<i>6.496</i>				<i>3.465</i>	<i>2.358</i>
# GHIP115-005-25.40x100	5 : 1	25.400	Single Stage / 24mm	100.000	25.1 to 53.8	94 / 62 (832 / 549 lb.in)	136.9 / 80.4	88.0	48.9
		<i>1.000</i>		<i>3.937</i>				<i>3.465</i>	<i>1.925</i>
# GHIP115-010-14.00x165	10 : 1	14.000	Single Stage / 24mm	165.000	36 to 65	83 / 66 (735 / 584 lb.in)	147.9 / 130.4	88.0	59.9
		<i>0.551</i>		<i>6.496</i>				<i>3.465</i>	<i>2.358</i>
# GHIP115-010-14.00x100	10 : 1	14.000	Single Stage / 24mm	100.000	25.1 to 53.8	83 / 66 (735 / 584 lb.in)	136.9 / 80.4	88.0	48.9
		<i>0.551</i>		<i>3.937</i>				<i>3.465</i>	<i>1.925</i>
# GHIP115-010-14.00x126	10 : 1	14.000	Single Stage / 24mm	126.000	25.1 to 53.8	83 / 66 (735 / 584 lb.in)	136.9 / 80.4	88.0	48.9
		<i>0.551</i>		<i>4.961</i>				<i>3.465</i>	<i>1.925</i>
# GHIP115-010-14.00x145	10 : 1	14.000	Single Stage / 24mm	145.000	36 to 65	83 / 66 (735 / 584 lb.in)	147.9 / 110.4	88.0	59.9
		<i>0.551</i>		<i>5.709</i>				<i>3.465</i>	<i>2.358</i>

Indicates item not stocked at time of printing - Please enquire for lead time

E&OE Pricing and all details subject to change without notice - Copyright Miniature Bearings Australia Pty Ltd

MBA Size Listings are a guide to sizes only and must not be solely relied on for critical design information.

Gearheads - Inline - Planetary - Size 115 - Adapted

Part Number	Ratio	Motor Shaft Diameter mm	Config. / Output Shaft	Bolt Circle (D) mm	Motor Shaft Length mm	Cont. Torque at 1000/4000 rpm N.m	Bracket Size (A/E) mm	Length without Bracket (L) mm	Bracket Height (B) mm
		<i>inches</i>		<i>inches</i>	<i>inches</i>		<i>inches</i>	<i>inches</i>	<i>inches</i>
# GHIP115-010-15.88x126	10 : 1	15.875 <i>0.625</i>	Single Stage / 24mm	126.000 <i>4.961</i>	25.1 to 53.8	83 / 66 (735 / 584 lb.in)	136.9 / 80.4	88.0 <i>3.465</i>	48.9 <i>1.925</i>
# GHIP115-010-15.88x165	10 : 1	15.875 <i>0.625</i>	Single Stage / 24mm	165.000 <i>6.496</i>	36 to 65	83 / 66 (735 / 584 lb.in)	147.9 / 130.4	88.0 <i>3.465</i>	59.9 <i>2.358</i>
# GHIP115-010-15.88x145	10 : 1	15.875 <i>0.625</i>	Single Stage / 24mm	145.000 <i>5.709</i>	36 to 65	83 / 66 (735 / 584 lb.in)	147.9 / 110.4	88.0 <i>3.465</i>	59.9 <i>2.358</i>
# GHIP115-010-16.00x145	10 : 1	16.000 <i>0.630</i>	Single Stage / 24mm	145.000 <i>5.709</i>	36 to 65	83 / 66 (735 / 584 lb.in)	147.9 / 110.4	88.0 <i>3.465</i>	59.9 <i>2.358</i>
# GHIP115-010-16.00x165	10 : 1	16.000 <i>0.630</i>	Single Stage / 24mm	165.000 <i>6.496</i>	36 to 65	83 / 66 (735 / 584 lb.in)	147.9 / 130.4	88.0 <i>3.465</i>	59.9 <i>2.358</i>
# GHIP115-010-16.00x126	10 : 1	16.000 <i>0.630</i>	Single Stage / 24mm	126.000 <i>4.961</i>	25.1 to 53.8	83 / 66 (735 / 584 lb.in)	136.9 / 80.4	88.0 <i>3.465</i>	48.9 <i>1.925</i>
# GHIP115-010-16.00x100	10 : 1	16.000 <i>0.630</i>	Single Stage / 24mm	100.000 <i>3.937</i>	25.1 to 53.8	83 / 66 (735 / 584 lb.in)	136.9 / 80.4	88.0 <i>3.465</i>	48.9 <i>1.925</i>
# GHIP115-010-19.00x126	10 : 1	19.000 <i>0.748</i>	Single Stage / 24mm	126.000 <i>4.961</i>	25.1 to 53.8	83 / 66 (735 / 584 lb.in)	136.9 / 80.4	88.0 <i>3.465</i>	48.9 <i>1.925</i>

Indicates item not stocked at time of printing - Please enquire for lead time
 E&OE Pricing and all details subject to change without notice - Copyright Miniature Bearings Australia Pty Ltd
 MBA Size Listings are a guide to sizes only and must not be solely relied on for critical design information.

Gearheads - Inline - Planetary - Size 115 - Adapted

Part Number	Ratio	Motor Shaft Diameter mm	Config. / Output Shaft	Bolt Circle (D) mm	Motor Shaft Length mm	Cont. Torque at 1000/4000 rpm N.m	Bracket Size (A/E) mm	Length without Bracket (L) mm	Bracket Height (B) mm
		<i>inches</i>		<i>inches</i>	<i>inches</i>		<i>inches</i>	<i>inches</i>	<i>inches</i>
# GHIP115-010-19.00x145	10 : 1	19.000	Single Stage / 24mm	145.000	36 to 65	83 / 66 (735 / 584 lb.in)	147.9 / 110.4	88.0	59.9
		<i>0.748</i>		<i>5.709</i>				<i>3.465</i>	<i>2.358</i>
# GHIP115-010-19.00x100	10 : 1	19.000	Single Stage / 24mm	100.000	25.1 to 53.8	83 / 66 (735 / 584 lb.in)	136.9 / 80.4	88.0	48.9
		<i>0.748</i>		<i>3.937</i>				<i>3.465</i>	<i>1.925</i>
# GHIP115-010-19.00x165	10 : 1	19.000	Single Stage / 24mm	165.000	36 to 65	83 / 66 (735 / 584 lb.in)	147.9 / 130.4	88.0	59.9
		<i>0.748</i>		<i>6.496</i>				<i>3.465</i>	<i>2.358</i>
# GHIP115-010-22.00x165	10 : 1	22.000	Single Stage / 24mm	165.000	36 to 65	83 / 66 (735 / 584 lb.in)	147.9 / 130.4	88.0	59.9
		<i>0.866</i>		<i>6.496</i>				<i>3.465</i>	<i>2.358</i>
# GHIP115-010-22.00x100	10 : 1	22.000	Single Stage / 24mm	100.000	25.1 to 53.8	83 / 66 (735 / 584 lb.in)	136.9 / 80.4	88.0	48.9
		<i>0.866</i>		<i>3.937</i>				<i>3.465</i>	<i>1.925</i>
# GHIP115-010-22.00x145	10 : 1	22.000	Single Stage / 24mm	145.000	36 to 65	83 / 66 (735 / 584 lb.in)	147.9 / 110.4	88.0	59.9
		<i>0.866</i>		<i>5.709</i>				<i>3.465</i>	<i>2.358</i>
# GHIP115-010-22.00x126	10 : 1	22.000	Single Stage / 24mm	126.000	25.1 to 53.8	83 / 66 (735 / 584 lb.in)	136.9 / 80.4	88.0	48.9
		<i>0.866</i>		<i>4.961</i>				<i>3.465</i>	<i>1.925</i>
# GHIP115-010-24.00x126	10 : 1	24.000	Single Stage / 24mm	126.000	25.1 to 53.8	83 / 66 (735 / 584 lb.in)	136.9 / 80.4	88.0	48.9
		<i>0.945</i>		<i>4.961</i>				<i>3.465</i>	<i>1.925</i>

Indicates item not stocked at time of printing - Please enquire for lead time

E&OE Pricing and all details subject to change without notice - Copyright Miniature Bearings Australia Pty Ltd

MBA Size Listings are a guide to sizes only and must not be solely relied on for critical design information.

Gearheads - Inline - Planetary - Size 115 - Adapted

Part Number	Ratio	Motor Shaft Diameter mm	Config. / Output Shaft	Bolt Circle (D) mm	Motor Shaft Length mm	Cont. Torque at 1000/4000 rpm N.m	Bracket Size (A/E) mm	Length without Bracket (L) mm	Bracket Height (B) mm
		<i>inches</i>		<i>inches</i>	<i>inches</i>		<i>inches</i>	<i>inches</i>	<i>inches</i>
# GHIP115-010-24.00x165	10 : 1	24.000	Single Stage / 24mm	165.000	36 to 65	83 / 66 (735 / 584 lb.in)	147.9 / 130.4	88.0	59.9
		<i>0.945</i>		<i>6.496</i>				<i>3.465</i>	<i>2.358</i>
# GHIP115-010-24.00x100	10 : 1	24.000	Single Stage / 24mm	100.000	25.1 to 53.8	83 / 66 (735 / 584 lb.in)	136.9 / 80.4	88.0	48.9
		<i>0.945</i>		<i>3.937</i>				<i>3.465</i>	<i>1.925</i>
# GHIP115-010-24.00x145	10 : 1	24.000	Single Stage / 24mm	145.000	36 to 65	83 / 66 (735 / 584 lb.in)	147.9 / 110.4	88.0	59.9
		<i>0.945</i>		<i>5.709</i>				<i>3.465</i>	<i>2.358</i>
# GHIP115-010-25.40x165	10 : 1	25.400	Single Stage / 24mm	165.000	36 to 65	83 / 66 (735 / 584 lb.in)	147.9 / 130.4	88.0	59.9
		<i>1.000</i>		<i>6.496</i>				<i>3.465</i>	<i>2.358</i>
# GHIP115-010-25.40x145	10 : 1	25.400	Single Stage / 24mm	145.000	36 to 65	83 / 66 (735 / 584 lb.in)	147.9 / 110.4	88.0	59.9
		<i>1.000</i>		<i>5.709</i>				<i>3.465</i>	<i>2.358</i>
# GHIP115-010-25.40x100	10 : 1	25.400	Single Stage / 24mm	100.000	25.1 to 53.8	83 / 66 (735 / 584 lb.in)	136.9 / 80.4	88.0	48.9
		<i>1.000</i>		<i>3.937</i>				<i>3.465</i>	<i>1.925</i>
# GHIP115-010-25.40x126	10 : 1	25.400	Single Stage / 24mm	126.000	25.1 to 53.8	83 / 66 (735 / 584 lb.in)	136.9 / 80.4	88.0	48.9
		<i>1.000</i>		<i>4.961</i>				<i>3.465</i>	<i>1.925</i>
# GHIP115-015-14.00x165	15 : 1	14.000	Double Stage / 24mm	165.000	36 to 65	139 / 91 (1230 / 805 lb.in)	178.9 / 130.4	119.0	59.9
		<i>0.551</i>		<i>6.496</i>				<i>4.685</i>	<i>2.358</i>

Indicates item not stocked at time of printing - Please enquire for lead time

E&OE Pricing and all details subject to change without notice - Copyright Miniature Bearings Australia Pty Ltd

MBA Size Listings are a guide to sizes only and must not be solely relied on for critical design information.

Gearheads - Inline - Planetary - Size 115 - Adapted

Part Number	Ratio	Motor Shaft Diameter mm	Config. / Output Shaft	Bolt Circle (D) mm	Motor Shaft Length mm	Cont. Torque at 1000/4000 rpm N.m	Bracket Size (A/E) mm	Length without Bracket (L) mm	Bracket Height (B) mm
		<i>inches</i>		<i>inches</i>	<i>inches</i>		<i>inches</i>	<i>inches</i>	<i>inches</i>
# GHIP115-015-14.00x100	15 : 1	14.000	Double Stage / 24mm	100.000	25.1 to 53.8	139 / 91 (1230 / 805 lb.in)	167.9 / 80.4	119.0	48.9
		<i>0.551</i>		<i>3.937</i>				<i>4.685</i>	<i>1.925</i>
# GHIP115-015-14.00x126	15 : 1	14.000	Double Stage / 24mm	126.000	25.1 to 53.8	139 / 91 (1230 / 805 lb.in)	167.9 / 80.4	119.0	48.9
		<i>0.551</i>		<i>4.961</i>				<i>4.685</i>	<i>1.925</i>
# GHIP115-015-14.00x145	15 : 1	14.000	Double Stage / 24mm	145.000	36 to 65	139 / 91 (1230 / 805 lb.in)	178.9 / 110.4	119.0	59.9
		<i>0.551</i>		<i>5.709</i>				<i>4.685</i>	<i>2.358</i>
# GHIP115-015-15.88x165	15 : 1	15.875	Double Stage / 24mm	165.000	36 to 65	139 / 91 (1230 / 805 lb.in)	178.9 / 130.4	119.0	59.9
		<i>0.625</i>		<i>6.496</i>				<i>4.685</i>	<i>2.358</i>
# GHIP115-015-15.88x145	15 : 1	15.875	Double Stage / 24mm	145.000	36 to 65	139 / 91 (1230 / 805 lb.in)	178.9 / 110.4	119.0	59.9
		<i>0.625</i>		<i>5.709</i>				<i>4.685</i>	<i>2.358</i>
# GHIP115-015-15.88x126	15 : 1	15.875	Double Stage / 24mm	126.000	25.1 to 53.8	139 / 91 (1230 / 805 lb.in)	167.9 / 80.4	119.0	48.9
		<i>0.625</i>		<i>4.961</i>				<i>4.685</i>	<i>1.925</i>
# GHIP115-015-16.00x126	15 : 1	16.000	Double Stage / 24mm	126.000	25.1 to 53.8	139 / 91 (1230 / 805 lb.in)	167.9 / 80.4	119.0	48.9
		<i>0.630</i>		<i>4.961</i>				<i>4.685</i>	<i>1.925</i>
# GHIP115-015-16.00x100	15 : 1	16.000	Double Stage / 24mm	100.000	25.1 to 53.8	139 / 91 (1230 / 805 lb.in)	167.9 / 80.4	119.0	48.9
		<i>0.630</i>		<i>3.937</i>				<i>4.685</i>	<i>1.925</i>

Indicates item not stocked at time of printing - Please enquire for lead time
 E&OE Pricing and all details subject to change without notice - Copyright Miniature Bearings Australia Pty Ltd
 MBA Size Listings are a guide to sizes only and must not be solely relied on for critical design information.

Gearheads - Inline - Planetary - Size 115 - Adapted

Part Number	Ratio	Motor Shaft Diameter mm	Config. / Output Shaft	Bolt Circle (D) mm	Motor Shaft Length mm	Cont. Torque at 1000/4000 rpm N.m	Bracket Size (A/E) mm	Length without Bracket (L) mm	Bracket Height (B) mm
		<i>inches</i>		<i>inches</i>	<i>inches</i>		<i>inches</i>	<i>inches</i>	<i>inches</i>
# GHIP115-015-16.00x145	15 : 1	16.000	Double Stage / 24mm	145.000	36 to 65	139 / 91 (1230 / 805 lb.in)	178.9 / 110.4	119.0	59.9
		<i>0.630</i>		<i>5.709</i>				<i>4.685</i>	<i>2.358</i>
# GHIP115-015-16.00x165	15 : 1	16.000	Double Stage / 24mm	165.000	36 to 65	139 / 91 (1230 / 805 lb.in)	178.9 / 130.4	119.0	59.9
		<i>0.630</i>		<i>6.496</i>				<i>4.685</i>	<i>2.358</i>
# GHIP115-015-19.00x126	15 : 1	19.000	Double Stage / 24mm	126.000	25.1 to 53.8	139 / 91 (1230 / 805 lb.in)	167.9 / 80.4	119.0	48.9
		<i>0.748</i>		<i>4.961</i>				<i>4.685</i>	<i>1.925</i>
# GHIP115-015-19.00x100	15 : 1	19.000	Double Stage / 24mm	100.000	25.1 to 53.8	139 / 91 (1230 / 805 lb.in)	167.9 / 80.4	119.0	48.9
		<i>0.748</i>		<i>3.937</i>				<i>4.685</i>	<i>1.925</i>
# GHIP115-015-19.00x145	15 : 1	19.000	Double Stage / 24mm	145.000	36 to 65	139 / 91 (1230 / 805 lb.in)	178.9 / 110.4	119.0	59.9
		<i>0.748</i>		<i>5.709</i>				<i>4.685</i>	<i>2.358</i>
# GHIP115-015-19.00x165	15 : 1	19.000	Double Stage / 24mm	165.000	36 to 65	139 / 91 (1230 / 805 lb.in)	178.9 / 130.4	119.0	59.9
		<i>0.748</i>		<i>6.496</i>				<i>4.685</i>	<i>2.358</i>
# GHIP115-015-22.00x126	15 : 1	22.000	Double Stage / 24mm	126.000	25.1 to 53.8	139 / 91 (1230 / 805 lb.in)	167.9 / 80.4	119.0	48.9
		<i>0.866</i>		<i>4.961</i>				<i>4.685</i>	<i>1.925</i>
# GHIP115-015-22.00x165	15 : 1	22.000	Double Stage / 24mm	165.000	36 to 65	139 / 91 (1230 / 805 lb.in)	178.9 / 130.4	119.0	59.9
		<i>0.866</i>		<i>6.496</i>				<i>4.685</i>	<i>2.358</i>

Indicates item not stocked at time of printing - Please enquire for lead time
 E&OE Pricing and all details subject to change without notice - Copyright Miniature Bearings Australia Pty Ltd
 MBA Size Listings are a guide to sizes only and must not be solely relied on for critical design information.

Gearheads - Inline - Planetary - Size 115 - Adapted

Part Number	Ratio	Motor Shaft Diameter mm	Config. / Output Shaft	Bolt Circle (D) mm	Motor Shaft Length mm	Cont. Torque at 1000/4000 rpm N.m	Bracket Size (A/E) mm	Length without Bracket (L) mm	Bracket Height (B) mm
		<i>inches</i>		<i>inches</i>	<i>inches</i>		<i>inches</i>	<i>inches</i>	<i>inches</i>
# GHIP115-015-22.00x100	15 : 1	22.000	Double Stage / 24mm	100.000	25.1 to 53.8	139 / 91 (1230 / 805 lb.in)	167.9 / 80.4	119.0	48.9
		<i>0.866</i>		<i>3.937</i>				<i>4.685</i>	<i>1.925</i>
# GHIP115-015-22.00x145	15 : 1	22.000	Double Stage / 24mm	145.000	36 to 65	139 / 91 (1230 / 805 lb.in)	178.9 / 110.4	119.0	59.9
		<i>0.866</i>		<i>5.709</i>				<i>4.685</i>	<i>2.358</i>
# GHIP115-015-24.00x145	15 : 1	24.000	Double Stage / 24mm	145.000	36 to 65	139 / 91 (1230 / 805 lb.in)	178.9 / 110.4	119.0	59.9
		<i>0.945</i>		<i>5.709</i>				<i>4.685</i>	<i>2.358</i>
# GHIP115-015-24.00x165	15 : 1	24.000	Double Stage / 24mm	165.000	36 to 65	139 / 91 (1230 / 805 lb.in)	178.9 / 130.4	119.0	59.9
		<i>0.945</i>		<i>6.496</i>				<i>4.685</i>	<i>2.358</i>
# GHIP115-015-24.00x126	15 : 1	24.000	Double Stage / 24mm	126.000	25.1 to 53.8	139 / 91 (1230 / 805 lb.in)	167.9 / 80.4	119.0	48.9
		<i>0.945</i>		<i>4.961</i>				<i>4.685</i>	<i>1.925</i>
# GHIP115-015-24.00x100	15 : 1	24.000	Double Stage / 24mm	100.000	25.1 to 53.8	139 / 91 (1230 / 805 lb.in)	167.9 / 80.4	119.0	48.9
		<i>0.945</i>		<i>3.937</i>				<i>4.685</i>	<i>1.925</i>
# GHIP115-015-25.40x165	15 : 1	25.400	Double Stage / 24mm	165.000	36 to 65	139 / 91 (1230 / 805 lb.in)	178.9 / 130.4	119.0	59.9
		<i>1.000</i>		<i>6.496</i>				<i>4.685</i>	<i>2.358</i>
# GHIP115-015-25.40x145	15 : 1	25.400	Double Stage / 24mm	145.000	36 to 65	139 / 91 (1230 / 805 lb.in)	178.9 / 110.4	119.0	59.9
		<i>1.000</i>		<i>5.709</i>				<i>4.685</i>	<i>2.358</i>

Indicates item not stocked at time of printing - Please enquire for lead time
 E&OE Pricing and all details subject to change without notice - Copyright Miniature Bearings Australia Pty Ltd
 MBA Size Listings are a guide to sizes only and must not be solely relied on for critical design information.

Gearheads - Inline - Planetary - Size 115 - Adapted

Part Number	Ratio	Motor Shaft Diameter mm	Config. / Output Shaft	Bolt Circle (D) mm	Motor Shaft Length mm	Cont. Torque at 1000/4000 rpm N.m	Bracket Size (A/E) mm	Length without Bracket (L) mm	Bracket Height (B) mm
		<i>inches</i>		<i>inches</i>	<i>inches</i>		<i>inches</i>	<i>inches</i>	<i>inches</i>
# GHIP115-015-25.40x126	15 : 1	25.400	Double Stage / 24mm	126.000	25.1 to 53.8	139 / 91 (1230 / 805 lb.in)	167.9 / 80.4	119.0	48.9
		<i>1.000</i>		<i>4.961</i>				<i>4.685</i>	<i>1.925</i>
# GHIP115-015-25.40x100	15 : 1	25.400	Double Stage / 24mm	100.000	25.1 to 53.8	139 / 91 (1230 / 805 lb.in)	167.9 / 80.4	119.0	48.9
		<i>1.000</i>		<i>3.937</i>				<i>4.685</i>	<i>1.925</i>
# GHIP115-025-14.00x100	25 : 1	14.000	Double Stage / 24mm	100.000	25.1 to 53.8	153 / 101 (1354 / 894 lb.in)	167.9 / 80.4	119.0	48.9
		<i>0.551</i>		<i>3.937</i>				<i>4.685</i>	<i>1.925</i>
# GHIP115-025-14.00x165	25 : 1	14.000	Double Stage / 24mm	165.000	36 to 65	153 / 101 (1354 / 894 lb.in)	178.9 / 130.4	119.0	59.9
		<i>0.551</i>		<i>6.496</i>				<i>4.685</i>	<i>2.358</i>
# GHIP115-025-14.00x145	25 : 1	14.000	Double Stage / 24mm	145.000	36 to 65	153 / 101 (1354 / 894 lb.in)	178.9 / 110.4	119.0	59.9
		<i>0.551</i>		<i>5.709</i>				<i>4.685</i>	<i>2.358</i>
# GHIP115-025-14.00x126	25 : 1	14.000	Double Stage / 24mm	126.000	25.1 to 53.8	153 / 101 (1354 / 894 lb.in)	167.9 / 80.4	119.0	48.9
		<i>0.551</i>		<i>4.961</i>				<i>4.685</i>	<i>1.925</i>
# GHIP115-025-15.88x126	25 : 1	15.875	Double Stage / 24mm	126.000	25.1 to 53.8	153 / 101 (1354 / 894 lb.in)	167.9 / 80.4	119.0	48.9
		<i>0.625</i>		<i>4.961</i>				<i>4.685</i>	<i>1.925</i>
# GHIP115-025-15.88x165	25 : 1	15.875	Double Stage / 24mm	165.000	36 to 65	153 / 101 (1354 / 894 lb.in)	178.9 / 130.4	119.0	59.9
		<i>0.625</i>		<i>6.496</i>				<i>4.685</i>	<i>2.358</i>

Indicates item not stocked at time of printing - Please enquire for lead time

E&OE Pricing and all details subject to change without notice - Copyright Miniature Bearings Australia Pty Ltd

MBA Size Listings are a guide to sizes only and must not be solely relied on for critical design information.

Gearheads - Inline - Planetary - Size 115 - Adapted

Part Number	Ratio	Motor Shaft Diameter mm	Config. / Output Shaft	Bolt Circle (D) mm	Motor Shaft Length mm	Cont. Torque at 1000/4000 rpm N.m	Bracket Size (A/E) mm	Length without Bracket (L) mm	Bracket Height (B) mm
		<i>inches</i>		<i>inches</i>	<i>inches</i>		<i>inches</i>	<i>inches</i>	<i>inches</i>
# GHIP115-025-15.88x145	25 : 1	15.875	Double Stage / 24mm	145.000	36 to 65	153 / 101 (1354 / 894 lb.in)	178.9 / 110.4	119.0	59.9
		<i>0.625</i>		<i>5.709</i>				<i>4.685</i>	<i>2.358</i>
# GHIP115-025-16.00x165	25 : 1	16.000	Double Stage / 24mm	165.000	36 to 65	153 / 101 (1354 / 894 lb.in)	178.9 / 130.4	119.0	59.9
		<i>0.630</i>		<i>6.496</i>				<i>4.685</i>	<i>2.358</i>
# GHIP115-025-16.00x126	25 : 1	16.000	Double Stage / 24mm	126.000	25.1 to 53.8	153 / 101 (1354 / 894 lb.in)	167.9 / 80.4	119.0	48.9
		<i>0.630</i>		<i>4.961</i>				<i>4.685</i>	<i>1.925</i>
# GHIP115-025-16.00x145	25 : 1	16.000	Double Stage / 24mm	145.000	36 to 65	153 / 101 (1354 / 894 lb.in)	178.9 / 110.4	119.0	59.9
		<i>0.630</i>		<i>5.709</i>				<i>4.685</i>	<i>2.358</i>
# GHIP115-025-16.00x100	25 : 1	16.000	Double Stage / 24mm	100.000	25.1 to 53.8	153 / 101 (1354 / 894 lb.in)	167.9 / 80.4	119.0	48.9
		<i>0.630</i>		<i>3.937</i>				<i>4.685</i>	<i>1.925</i>
# GHIP115-025-19.00x165	25 : 1	19.000	Double Stage / 24mm	165.000	36 to 65	153 / 101 (1354 / 894 lb.in)	178.9 / 130.4	119.0	59.9
		<i>0.748</i>		<i>6.496</i>				<i>4.685</i>	<i>2.358</i>
# GHIP115-025-19.00x126	25 : 1	19.000	Double Stage / 24mm	126.000	25.1 to 53.8	153 / 101 (1354 / 894 lb.in)	167.9 / 80.4	119.0	48.9
		<i>0.748</i>		<i>4.961</i>				<i>4.685</i>	<i>1.925</i>
# GHIP115-025-19.00x145	25 : 1	19.000	Double Stage / 24mm	145.000	36 to 65	153 / 101 (1354 / 894 lb.in)	178.9 / 110.4	119.0	59.9
		<i>0.748</i>		<i>5.709</i>				<i>4.685</i>	<i>2.358</i>

Indicates item not stocked at time of printing - Please enquire for lead time

E&OE Pricing and all details subject to change without notice - Copyright Miniature Bearings Australia Pty Ltd

MBA Size Listings are a guide to sizes only and must not be solely relied on for critical design information.

Gearheads - Inline - Planetary - Size 115 - Adapted

Part Number	Ratio	Motor Shaft Diameter mm	Config. / Output Shaft	Bolt Circle (D) mm	Motor Shaft Length mm	Cont. Torque at 1000/4000 rpm N.m	Bracket Size (A/E) mm	Length without Bracket (L) mm	Bracket Height (B) mm
		<i>inches</i>		<i>inches</i>	<i>inches</i>		<i>inches</i>	<i>inches</i>	<i>inches</i>
# GHIP115-025-19.00x100	25 : 1	19.000	Double Stage / 24mm	100.000	25.1 to 53.8	153 / 101 (1354 / 894 lb.in)	167.9 / 80.4	119.0	48.9
		<i>0.748</i>		<i>3.937</i>				<i>4.685</i>	<i>1.925</i>
# GHIP115-025-22.00x145	25 : 1	22.000	Double Stage / 24mm	145.000	36 to 65	153 / 101 (1354 / 894 lb.in)	178.9 / 110.4	119.0	59.9
		<i>0.866</i>		<i>5.709</i>				<i>4.685</i>	<i>2.358</i>
# GHIP115-025-22.00x165	25 : 1	22.000	Double Stage / 24mm	165.000	36 to 65	153 / 101 (1354 / 894 lb.in)	178.9 / 130.4	119.0	59.9
		<i>0.866</i>		<i>6.496</i>				<i>4.685</i>	<i>2.358</i>
# GHIP115-025-22.00x126	25 : 1	22.000	Double Stage / 24mm	126.000	25.1 to 53.8	153 / 101 (1354 / 894 lb.in)	167.9 / 80.4	119.0	48.9
		<i>0.866</i>		<i>4.961</i>				<i>4.685</i>	<i>1.925</i>
# GHIP115-025-22.00x100	25 : 1	22.000	Double Stage / 24mm	100.000	25.1 to 53.8	153 / 101 (1354 / 894 lb.in)	167.9 / 80.4	119.0	48.9
		<i>0.866</i>		<i>3.937</i>				<i>4.685</i>	<i>1.925</i>
# GHIP115-025-24.00x126	25 : 1	24.000	Double Stage / 24mm	126.000	25.1 to 53.8	153 / 101 (1354 / 894 lb.in)	167.9 / 80.4	119.0	48.9
		<i>0.945</i>		<i>4.961</i>				<i>4.685</i>	<i>1.925</i>
# GHIP115-025-24.00x165	25 : 1	24.000	Double Stage / 24mm	165.000	36 to 65	153 / 101 (1354 / 894 lb.in)	178.9 / 130.4	119.0	59.9
		<i>0.945</i>		<i>6.496</i>				<i>4.685</i>	<i>2.358</i>
# GHIP115-025-24.00x100	25 : 1	24.000	Double Stage / 24mm	100.000	25.1 to 53.8	153 / 101 (1354 / 894 lb.in)	167.9 / 80.4	119.0	48.9
		<i>0.945</i>		<i>3.937</i>				<i>4.685</i>	<i>1.925</i>

Indicates item not stocked at time of printing - Please enquire for lead time

E&OE Pricing and all details subject to change without notice - Copyright Miniature Bearings Australia Pty Ltd

MBA Size Listings are a guide to sizes only and must not be solely relied on for critical design information.

Gearheads - Inline - Planetary - Size 115 - Adapted

Part Number	Ratio	Motor Shaft Diameter mm	Config. / Output Shaft	Bolt Circle (D) mm	Motor Shaft Length mm	Cont. Torque at 1000/4000 rpm N.m	Bracket Size (A/E) mm	Length without Bracket (L) mm	Bracket Height (B) mm
		<i>inches</i>		<i>inches</i>	<i>inches</i>		<i>inches</i>	<i>inches</i>	<i>inches</i>
# GHIP115-025-24.00x145	25 : 1	24.000	Double Stage / 24mm	145.000	36 to 65	153 / 101 (1354 / 894 lb.in)	178.9 / 110.4	119.0	59.9
		<i>0.945</i>		<i>5.709</i>				<i>4.685</i>	<i>2.358</i>
# GHIP115-025-25.40x126	25 : 1	25.400	Double Stage / 24mm	126.000	25.1 to 53.8	153 / 101 (1354 / 894 lb.in)	167.9 / 80.4	119.0	48.9
		<i>1.000</i>		<i>4.961</i>				<i>4.685</i>	<i>1.925</i>
# GHIP115-025-25.40x100	25 : 1	25.400	Double Stage / 24mm	100.000	25.1 to 53.8	153 / 101 (1354 / 894 lb.in)	167.9 / 80.4	119.0	48.9
		<i>1.000</i>		<i>3.937</i>				<i>4.685</i>	<i>1.925</i>
# GHIP115-025-25.40x165	25 : 1	25.400	Double Stage / 24mm	165.000	36 to 65	153 / 101 (1354 / 894 lb.in)	178.9 / 130.4	119.0	59.9
		<i>1.000</i>		<i>6.496</i>				<i>4.685</i>	<i>2.358</i>
# GHIP115-025-25.40x145	25 : 1	25.400	Double Stage / 24mm	145.000	36 to 65	153 / 101 (1354 / 894 lb.in)	178.9 / 110.4	119.0	59.9
		<i>1.000</i>		<i>5.709</i>				<i>4.685</i>	<i>2.358</i>
# GHIP115-030-14.00x100	30 : 1	14.000	Double Stage / 24mm	100.000	25.1 to 53.8	171 / 113 (1513 / 1000 lb.in)	167.9 / 80.4	119.0	48.9
		<i>0.551</i>		<i>3.937</i>				<i>4.685</i>	<i>1.925</i>
# GHIP115-030-14.00x126	30 : 1	14.000	Double Stage / 24mm	126.000	25.1 to 53.8	171 / 113 (1513 / 1000 lb.in)	167.9 / 80.4	119.0	48.9
		<i>0.551</i>		<i>4.961</i>				<i>4.685</i>	<i>1.925</i>
# GHIP115-030-14.00x165	30 : 1	14.000	Double Stage / 24mm	165.000	36 to 65	171 / 113 (1513 / 1000 lb.in)	178.9 / 130.4	119.0	59.9
		<i>0.551</i>		<i>6.496</i>				<i>4.685</i>	<i>2.358</i>

Indicates item not stocked at time of printing - Please enquire for lead time

E&OE Pricing and all details subject to change without notice - Copyright Miniature Bearings Australia Pty Ltd

MBA Size Listings are a guide to sizes only and must not be solely relied on for critical design information.

Gearheads - Inline - Planetary - Size 115 - Adapted

Part Number	Ratio	Motor Shaft Diameter mm	Config. / Output Shaft	Bolt Circle (D) mm	Motor Shaft Length mm	Cont. Torque at 1000/4000 rpm N.m	Bracket Size (A/E) mm	Length without Bracket (L) mm	Bracket Height (B) mm
		<i>inches</i>		<i>inches</i>	<i>inches</i>		<i>inches</i>	<i>inches</i>	<i>inches</i>
# GHIP115-030-14.00x145	30 : 1	14.000	Double Stage / 24mm	145.000	36 to 65	171 / 113 (1513 / 1000 lb.in)	178.9 / 110.4	119.0	59.9
		<i>0.551</i>		<i>5.709</i>				<i>4.685</i>	<i>2.358</i>
# GHIP115-030-15.88x126	30 : 1	15.875	Double Stage / 24mm	126.000	25.1 to 53.8	171 / 113 (1513 / 1000 lb.in)	167.9 / 80.4	119.0	48.9
		<i>0.625</i>		<i>4.961</i>				<i>4.685</i>	<i>1.925</i>
# GHIP115-030-15.88x165	30 : 1	15.875	Double Stage / 24mm	165.000	36 to 65	171 / 113 (1513 / 1000 lb.in)	178.9 / 130.4	119.0	59.9
		<i>0.625</i>		<i>6.496</i>				<i>4.685</i>	<i>2.358</i>
# GHIP115-030-15.88x145	30 : 1	15.875	Double Stage / 24mm	145.000	36 to 65	171 / 113 (1513 / 1000 lb.in)	178.9 / 110.4	119.0	59.9
		<i>0.625</i>		<i>5.709</i>				<i>4.685</i>	<i>2.358</i>
# GHIP115-030-16.00x145	30 : 1	16.000	Double Stage / 24mm	145.000	36 to 65	171 / 113 (1513 / 1000 lb.in)	178.9 / 110.4	119.0	59.9
		<i>0.630</i>		<i>5.709</i>				<i>4.685</i>	<i>2.358</i>
# GHIP115-030-16.00x126	30 : 1	16.000	Double Stage / 24mm	126.000	25.1 to 53.8	171 / 113 (1513 / 1000 lb.in)	167.9 / 80.4	119.0	48.9
		<i>0.630</i>		<i>4.961</i>				<i>4.685</i>	<i>1.925</i>
# GHIP115-030-16.00x165	30 : 1	16.000	Double Stage / 24mm	165.000	36 to 65	171 / 113 (1513 / 1000 lb.in)	178.9 / 130.4	119.0	59.9
		<i>0.630</i>		<i>6.496</i>				<i>4.685</i>	<i>2.358</i>
# GHIP115-030-16.00x100	30 : 1	16.000	Double Stage / 24mm	100.000	25.1 to 53.8	171 / 113 (1513 / 1000 lb.in)	167.9 / 80.4	119.0	48.9
		<i>0.630</i>		<i>3.937</i>				<i>4.685</i>	<i>1.925</i>

Indicates item not stocked at time of printing - Please enquire for lead time

E&OE Pricing and all details subject to change without notice - Copyright Miniature Bearings Australia Pty Ltd

MBA Size Listings are a guide to sizes only and must not be solely relied on for critical design information.

Gearheads - Inline - Planetary - Size 115 - Adapted

Part Number	Ratio	Motor Shaft Diameter mm	Config. / Output Shaft	Bolt Circle (D) mm	Motor Shaft Length mm	Cont. Torque at 1000/4000 rpm N.m	Bracket Size (A/E) mm	Length without Bracket (L) mm	Bracket Height (B) mm
		<i>inches</i>		<i>inches</i>	<i>inches</i>		<i>inches</i>	<i>inches</i>	<i>inches</i>
# GHIP115-030-19.00x126	30 : 1	19.000	Double Stage / 24mm	126.000	25.1 to 53.8	171 / 113 (1513 / 1000 lb.in)	167.9 / 80.4	119.0	48.9
		<i>0.748</i>		<i>4.961</i>				<i>4.685</i>	<i>1.925</i>
# GHIP115-030-19.00x165	30 : 1	19.000	Double Stage / 24mm	165.000	36 to 65	171 / 113 (1513 / 1000 lb.in)	178.9 / 130.4	119.0	59.9
		<i>0.748</i>		<i>6.496</i>				<i>4.685</i>	<i>2.358</i>
# GHIP115-030-19.00x100	30 : 1	19.000	Double Stage / 24mm	100.000	25.1 to 53.8	171 / 113 (1513 / 1000 lb.in)	167.9 / 80.4	119.0	48.9
		<i>0.748</i>		<i>3.937</i>				<i>4.685</i>	<i>1.925</i>
# GHIP115-030-19.00x145	30 : 1	19.000	Double Stage / 24mm	145.000	36 to 65	171 / 113 (1513 / 1000 lb.in)	178.9 / 110.4	119.0	59.9
		<i>0.748</i>		<i>5.709</i>				<i>4.685</i>	<i>2.358</i>
# GHIP115-030-22.00x145	30 : 1	22.000	Double Stage / 24mm	145.000	36 to 65	171 / 113 (1513 / 1000 lb.in)	178.9 / 110.4	119.0	59.9
		<i>0.866</i>		<i>5.709</i>				<i>4.685</i>	<i>2.358</i>
# GHIP115-030-22.00x100	30 : 1	22.000	Double Stage / 24mm	100.000	25.1 to 53.8	171 / 113 (1513 / 1000 lb.in)	167.9 / 80.4	119.0	48.9
		<i>0.866</i>		<i>3.937</i>				<i>4.685</i>	<i>1.925</i>
# GHIP115-030-22.00x126	30 : 1	22.000	Double Stage / 24mm	126.000	25.1 to 53.8	171 / 113 (1513 / 1000 lb.in)	167.9 / 80.4	119.0	48.9
		<i>0.866</i>		<i>4.961</i>				<i>4.685</i>	<i>1.925</i>
# GHIP115-030-22.00x165	30 : 1	22.000	Double Stage / 24mm	165.000	36 to 65	171 / 113 (1513 / 1000 lb.in)	178.9 / 130.4	119.0	59.9
		<i>0.866</i>		<i>6.496</i>				<i>4.685</i>	<i>2.358</i>

Indicates item not stocked at time of printing - Please enquire for lead time

E&OE Pricing and all details subject to change without notice - Copyright Miniature Bearings Australia Pty Ltd

MBA Size Listings are a guide to sizes only and must not be solely relied on for critical design information.

Gearheads - Inline - Planetary - Size 115 - Adapted

Part Number	Ratio	Motor Shaft Diameter mm	Config. / Output Shaft	Bolt Circle (D) mm	Motor Shaft Length mm	Cont. Torque at 1000/4000 rpm N.m	Bracket Size (A/E) mm	Length without Bracket (L) mm	Bracket Height (B) mm
		<i>inches</i>		<i>inches</i>	<i>inches</i>		<i>inches</i>	<i>inches</i>	<i>inches</i>
# GHIP115-030-24.00x165	30 : 1	24.000	Double Stage / 24mm	165.000	36 to 65	171 / 113 (1513 / 1000 lb.in)	178.9 / 130.4	119.0	59.9
		<i>0.945</i>		<i>6.496</i>				<i>4.685</i>	<i>2.358</i>
# GHIP115-030-24.00x126	30 : 1	24.000	Double Stage / 24mm	126.000	25.1 to 53.8	171 / 113 (1513 / 1000 lb.in)	167.9 / 80.4	119.0	48.9
		<i>0.945</i>		<i>4.961</i>				<i>4.685</i>	<i>1.925</i>
# GHIP115-030-24.00x100	30 : 1	24.000	Double Stage / 24mm	100.000	25.1 to 53.8	171 / 113 (1513 / 1000 lb.in)	167.9 / 80.4	119.0	48.9
		<i>0.945</i>		<i>3.937</i>				<i>4.685</i>	<i>1.925</i>
# GHIP115-030-24.00x145	30 : 1	24.000	Double Stage / 24mm	145.000	36 to 65	171 / 113 (1513 / 1000 lb.in)	178.9 / 110.4	119.0	59.9
		<i>0.945</i>		<i>5.709</i>				<i>4.685</i>	<i>2.358</i>
# GHIP115-030-25.40x145	30 : 1	25.400	Double Stage / 24mm	145.000	36 to 65	171 / 113 (1513 / 1000 lb.in)	178.9 / 110.4	119.0	59.9
		<i>1.000</i>		<i>5.709</i>				<i>4.685</i>	<i>2.358</i>
# GHIP115-030-25.40x165	30 : 1	25.400	Double Stage / 24mm	165.000	36 to 65	171 / 113 (1513 / 1000 lb.in)	178.9 / 130.4	119.0	59.9
		<i>1.000</i>		<i>6.496</i>				<i>4.685</i>	<i>2.358</i>
# GHIP115-030-25.40x126	30 : 1	25.400	Double Stage / 24mm	126.000	25.1 to 53.8	171 / 113 (1513 / 1000 lb.in)	167.9 / 80.4	119.0	48.9
		<i>1.000</i>		<i>4.961</i>				<i>4.685</i>	<i>1.925</i>
# GHIP115-030-25.40x100	30 : 1	25.400	Double Stage / 24mm	100.000	25.1 to 53.8	171 / 113 (1513 / 1000 lb.in)	167.9 / 80.4	119.0	48.9
		<i>1.000</i>		<i>3.937</i>				<i>4.685</i>	<i>1.925</i>

Indicates item not stocked at time of printing - Please enquire for lead time
 E&OE Pricing and all details subject to change without notice - Copyright Miniature Bearings Australia Pty Ltd
 MBA Size Listings are a guide to sizes only and must not be solely relied on for critical design information.

Gearheads - Inline - Planetary - Size 115 - Adapted

Part Number	Ratio	Motor Shaft Diameter mm	Config. / Output Shaft	Bolt Circle (D) mm	Motor Shaft Length mm	Cont. Torque at 1000/4000 rpm N.m	Bracket Size (A/E) mm	Length without Bracket (L) mm	Bracket Height (B) mm
		<i>inches</i>		<i>inches</i>	<i>inches</i>		<i>inches</i>	<i>inches</i>	<i>inches</i>
# GHIP115-050-14.00x145	50 : 1	14.000	Double Stage / 24mm	145.000	36 to 65	170 / 124 (1505 / 1097 lb.in)	178.9 / 110.4	119.0	59.9
		<i>0.551</i>		<i>5.709</i>				<i>4.685</i>	<i>2.358</i>
# GHIP115-050-14.00x126	50 : 1	14.000	Double Stage / 24mm	126.000	25.1 to 53.8	170 / 124 (1505 / 1097 lb.in)	167.9 / 80.4	119.0	48.9
		<i>0.551</i>		<i>4.961</i>				<i>4.685</i>	<i>1.925</i>
# GHIP115-050-14.00x165	50 : 1	14.000	Double Stage / 24mm	165.000	36 to 65	170 / 124 (1505 / 1097 lb.in)	178.9 / 130.4	119.0	59.9
		<i>0.551</i>		<i>6.496</i>				<i>4.685</i>	<i>2.358</i>
# GHIP115-050-14.00x100	50 : 1	14.000	Double Stage / 24mm	100.000	25.1 to 53.8	170 / 124 (1505 / 1097 lb.in)	167.9 / 80.4	119.0	48.9
		<i>0.551</i>		<i>3.937</i>				<i>4.685</i>	<i>1.925</i>
# GHIP115-050-15.88x145	50 : 1	15.875	Double Stage / 24mm	145.000	36 to 65	170 / 124 (1505 / 1097 lb.in)	178.9 / 110.4	119.0	59.9
		<i>0.625</i>		<i>5.709</i>				<i>4.685</i>	<i>2.358</i>
# GHIP115-050-15.88x126	50 : 1	15.875	Double Stage / 24mm	126.000	25.1 to 53.8	170 / 124 (1505 / 1097 lb.in)	167.9 / 80.4	119.0	48.9
		<i>0.625</i>		<i>4.961</i>				<i>4.685</i>	<i>1.925</i>
# GHIP115-050-15.88x165	50 : 1	15.875	Double Stage / 24mm	165.000	36 to 65	170 / 124 (1505 / 1097 lb.in)	178.9 / 130.4	119.0	59.9
		<i>0.625</i>		<i>6.496</i>				<i>4.685</i>	<i>2.358</i>
# GHIP115-050-16.00x100	50 : 1	16.000	Double Stage / 24mm	100.000	25.1 to 53.8	170 / 124 (1505 / 1097 lb.in)	167.9 / 80.4	119.0	48.9
		<i>0.630</i>		<i>3.937</i>				<i>4.685</i>	<i>1.925</i>

Indicates item not stocked at time of printing - Please enquire for lead time

E&OE Pricing and all details subject to change without notice - Copyright Miniature Bearings Australia Pty Ltd

MBA Size Listings are a guide to sizes only and must not be solely relied on for critical design information.

Gearheads - Inline - Planetary - Size 115 - Adapted

Part Number	Ratio	Motor Shaft Diameter mm	Config. / Output Shaft	Bolt Circle (D) mm	Motor Shaft Length mm	Cont. Torque at 1000/4000 rpm N.m	Bracket Size (A/E) mm	Length without Bracket (L) mm	Bracket Height (B) mm
		<i>inches</i>		<i>inches</i>	<i>inches</i>		<i>inches</i>	<i>inches</i>	<i>inches</i>
# GHIP115-050-16.00x126	50 : 1	16.000	Double Stage / 24mm	126.000	25.1 to 53.8	170 / 124 (1505 / 1097 lb.in)	167.9 / 80.4	119.0	48.9
		<i>0.630</i>		<i>4.961</i>				<i>4.685</i>	<i>1.925</i>
# GHIP115-050-16.00x165	50 : 1	16.000	Double Stage / 24mm	165.000	36 to 65	170 / 124 (1505 / 1097 lb.in)	178.9 / 130.4	119.0	59.9
		<i>0.630</i>		<i>6.496</i>				<i>4.685</i>	<i>2.358</i>
# GHIP115-050-16.00x145	50 : 1	16.000	Double Stage / 24mm	145.000	36 to 65	170 / 124 (1505 / 1097 lb.in)	178.9 / 110.4	119.0	59.9
		<i>0.630</i>		<i>5.709</i>				<i>4.685</i>	<i>2.358</i>
# GHIP115-050-19.00x126	50 : 1	19.000	Double Stage / 24mm	126.000	25.1 to 53.8	170 / 124 (1505 / 1097 lb.in)	167.9 / 80.4	119.0	48.9
		<i>0.748</i>		<i>4.961</i>				<i>4.685</i>	<i>1.925</i>
# GHIP115-050-19.00x100	50 : 1	19.000	Double Stage / 24mm	100.000	25.1 to 53.8	170 / 124 (1505 / 1097 lb.in)	167.9 / 80.4	119.0	48.9
		<i>0.748</i>		<i>3.937</i>				<i>4.685</i>	<i>1.925</i>
# GHIP115-050-19.00x145	50 : 1	19.000	Double Stage / 24mm	145.000	36 to 65	170 / 124 (1505 / 1097 lb.in)	178.9 / 110.4	119.0	59.9
		<i>0.748</i>		<i>5.709</i>				<i>4.685</i>	<i>2.358</i>
# GHIP115-050-19.00x165	50 : 1	19.000	Double Stage / 24mm	165.000	36 to 65	170 / 124 (1505 / 1097 lb.in)	178.9 / 130.4	119.0	59.9
		<i>0.748</i>		<i>6.496</i>				<i>4.685</i>	<i>2.358</i>
# GHIP115-050-22.00x165	50 : 1	22.000	Double Stage / 24mm	165.000	36 to 65	170 / 124 (1505 / 1097 lb.in)	178.9 / 130.4	119.0	59.9
		<i>0.866</i>		<i>6.496</i>				<i>4.685</i>	<i>2.358</i>

Indicates item not stocked at time of printing - Please enquire for lead time
 E&OE Pricing and all details subject to change without notice - Copyright Miniature Bearings Australia Pty Ltd
 MBA Size Listings are a guide to sizes only and must not be solely relied on for critical design information.

Gearheads - Inline - Planetary - Size 115 - Adapted

Part Number	Ratio	Motor Shaft Diameter mm	Config. / Output Shaft	Bolt Circle (D) mm	Motor Shaft Length mm	Cont. Torque at 1000/4000 rpm N.m	Bracket Size (A/E) mm	Length without Bracket (L) mm	Bracket Height (B) mm
		<i>inches</i>		<i>inches</i>	<i>inches</i>		<i>inches</i>	<i>inches</i>	<i>inches</i>
# GHIP115-050-22.00x100	50 : 1	22.000	Double Stage / 24mm	100.000	25.1 to 53.8	170 / 124 (1505 / 1097 lb.in)	167.9 / 80.4	119.0	48.9
		<i>0.866</i>		<i>3.937</i>				<i>4.685</i>	<i>1.925</i>
# GHIP115-050-22.00x145	50 : 1	22.000	Double Stage / 24mm	145.000	36 to 65	170 / 124 (1505 / 1097 lb.in)	178.9 / 110.4	119.0	59.9
		<i>0.866</i>		<i>5.709</i>				<i>4.685</i>	<i>2.358</i>
# GHIP115-050-22.00x126	50 : 1	22.000	Double Stage / 24mm	126.000	25.1 to 53.8	170 / 124 (1505 / 1097 lb.in)	167.9 / 80.4	119.0	48.9
		<i>0.866</i>		<i>4.961</i>				<i>4.685</i>	<i>1.925</i>
# GHIP115-050-24.00x100	50 : 1	24.000	Double Stage / 24mm	100.000	25.1 to 53.8	170 / 124 (1505 / 1097 lb.in)	167.9 / 80.4	119.0	48.9
		<i>0.945</i>		<i>3.937</i>				<i>4.685</i>	<i>1.925</i>
# GHIP115-050-24.00x145	50 : 1	24.000	Double Stage / 24mm	145.000	36 to 65	170 / 124 (1505 / 1097 lb.in)	178.9 / 110.4	119.0	59.9
		<i>0.945</i>		<i>5.709</i>				<i>4.685</i>	<i>2.358</i>
# GHIP115-050-24.00x165	50 : 1	24.000	Double Stage / 24mm	165.000	36 to 65	170 / 124 (1505 / 1097 lb.in)	178.9 / 130.4	119.0	59.9
		<i>0.945</i>		<i>6.496</i>				<i>4.685</i>	<i>2.358</i>
# GHIP115-050-24.00x126	50 : 1	24.000	Double Stage / 24mm	126.000	25.1 to 53.8	170 / 124 (1505 / 1097 lb.in)	167.9 / 80.4	119.0	48.9
		<i>0.945</i>		<i>4.961</i>				<i>4.685</i>	<i>1.925</i>
# GHIP115-050-25.40x145	50 : 1	25.400	Double Stage / 24mm	145.000	36 to 65	170 / 124 (1505 / 1097 lb.in)	178.9 / 110.4	119.0	59.9
		<i>1.000</i>		<i>5.709</i>				<i>4.685</i>	<i>2.358</i>

Indicates item not stocked at time of printing - Please enquire for lead time

E&OE Pricing and all details subject to change without notice - Copyright Miniature Bearings Australia Pty Ltd

MBA Size Listings are a guide to sizes only and must not be solely relied on for critical design information.

Gearheads - Inline - Planetary - Size 115 - Adapted

Part Number	Ratio	Motor Shaft Diameter mm	Config. / Output Shaft	Bolt Circle (D) mm	Motor Shaft Length mm	Cont. Torque at 1000/4000 rpm N.m	Bracket Size (A/E) mm	Length without Bracket (L) mm	Bracket Height (B) mm
		<i>inches</i>		<i>inches</i>	<i>inches</i>		<i>inches</i>	<i>inches</i>	<i>inches</i>
# GHIP115-050-25.40x165	50 : 1	25.400	Double Stage / 24mm	165.000	36 to 65	170 / 124 (1505 / 1097 lb.in)	178.9 / 130.4	119.0	59.9
		<i>1.000</i>		<i>6.496</i>				<i>4.685</i>	<i>2.358</i>
# GHIP115-050-25.40x126	50 : 1	25.400	Double Stage / 24mm	126.000	25.1 to 53.8	170 / 124 (1505 / 1097 lb.in)	167.9 / 80.4	119.0	48.9
		<i>1.000</i>		<i>4.961</i>				<i>4.685</i>	<i>1.925</i>
# GHIP115-050-25.40x100	50 : 1	25.400	Double Stage / 24mm	100.000	25.1 to 53.8	170 / 124 (1505 / 1097 lb.in)	167.9 / 80.4	119.0	48.9
		<i>1.000</i>		<i>3.937</i>				<i>4.685</i>	<i>1.925</i>
# GHIP115-100-14.00x145	100 : 1	14.000	Double Stage / 24mm	145.000	36 to 65	114 / 95 (1009 / 841 lb.in)	178.9 / 110.4	119.0	59.9
		<i>0.551</i>		<i>5.709</i>				<i>4.685</i>	<i>2.358</i>
# GHIP115-100-14.00x100	100 : 1	14.000	Double Stage / 24mm	100.000	25.1 to 53.8	114 / 95 (1009 / 841 lb.in)	167.9 / 80.4	119.0	48.9
		<i>0.551</i>		<i>3.937</i>				<i>4.685</i>	<i>1.925</i>
# GHIP115-100-14.00x165	100 : 1	14.000	Double Stage / 24mm	165.000	36 to 65	114 / 95 (1009 / 841 lb.in)	178.9 / 130.4	119.0	59.9
		<i>0.551</i>		<i>6.496</i>				<i>4.685</i>	<i>2.358</i>
# GHIP115-100-14.00x126	100 : 1	14.000	Double Stage / 24mm	126.000	25.1 to 53.8	114 / 95 (1009 / 841 lb.in)	167.9 / 80.4	119.0	48.9
		<i>0.551</i>		<i>4.961</i>				<i>4.685</i>	<i>1.925</i>
# GHIP115-100-15.88x126	100 : 1	15.875	Double Stage / 24mm	126.000	25.1 to 53.8	114 / 95 (1009 / 841 lb.in)	167.9 / 80.4	119.0	48.9
		<i>0.625</i>		<i>4.961</i>				<i>4.685</i>	<i>1.925</i>

Indicates item not stocked at time of printing - Please enquire for lead time

E&OE Pricing and all details subject to change without notice - Copyright Miniature Bearings Australia Pty Ltd

MBA Size Listings are a guide to sizes only and must not be solely relied on for critical design information.

Gearheads - Inline - Planetary - Size 115 - Adapted

Part Number	Ratio	Motor Shaft Diameter mm	Config. / Output Shaft	Bolt Circle (D) mm	Motor Shaft Length mm	Cont. Torque at 1000/4000 rpm N.m	Bracket Size (A/E) mm	Length without Bracket (L) mm	Bracket Height (B) mm
		<i>inches</i>		<i>inches</i>	<i>inches</i>		<i>inches</i>	<i>inches</i>	<i>inches</i>
# GHIP115-100-15.88x145	100 : 1	15.875	Double Stage / 24mm	145.000	36 to 65	114 / 95 (1009 / 841 lb.in)	178.9 / 110.4	119.0	59.9
		<i>0.625</i>		<i>5.709</i>				<i>4.685</i>	<i>2.358</i>
# GHIP115-100-15.88x165	100 : 1	15.875	Double Stage / 24mm	165.000	36 to 65	114 / 95 (1009 / 841 lb.in)	178.9 / 130.4	119.0	59.9
		<i>0.625</i>		<i>6.496</i>				<i>4.685</i>	<i>2.358</i>
# GHIP115-100-16.00x145	100 : 1	16.000	Double Stage / 24mm	145.000	36 to 65	114 / 95 (1009 / 841 lb.in)	178.9 / 110.4	119.0	59.9
		<i>0.630</i>		<i>5.709</i>				<i>4.685</i>	<i>2.358</i>
# GHIP115-100-16.00x100	100 : 1	16.000	Double Stage / 24mm	100.000	25.1 to 53.8	114 / 95 (1009 / 841 lb.in)	167.9 / 80.4	119.0	48.9
		<i>0.630</i>		<i>3.937</i>				<i>4.685</i>	<i>1.925</i>
# GHIP115-100-16.00x126	100 : 1	16.000	Double Stage / 24mm	126.000	25.1 to 53.8	114 / 95 (1009 / 841 lb.in)	167.9 / 80.4	119.0	48.9
		<i>0.630</i>		<i>4.961</i>				<i>4.685</i>	<i>1.925</i>
# GHIP115-100-16.00x165	100 : 1	16.000	Double Stage / 24mm	165.000	36 to 65	114 / 95 (1009 / 841 lb.in)	178.9 / 130.4	119.0	59.9
		<i>0.630</i>		<i>6.496</i>				<i>4.685</i>	<i>2.358</i>
# GHIP115-100-19.00x100	100 : 1	19.000	Double Stage / 24mm	100.000	25.1 to 53.8	114 / 95 (1009 / 841 lb.in)	167.9 / 80.4	119.0	48.9
		<i>0.748</i>		<i>3.937</i>				<i>4.685</i>	<i>1.925</i>
# GHIP115-100-19.00x165	100 : 1	19.000	Double Stage / 24mm	165.000	36 to 65	114 / 95 (1009 / 841 lb.in)	178.9 / 130.4	119.0	59.9
		<i>0.748</i>		<i>6.496</i>				<i>4.685</i>	<i>2.358</i>

Indicates item not stocked at time of printing - Please enquire for lead time

E&OE Pricing and all details subject to change without notice - Copyright Miniature Bearings Australia Pty Ltd

MBA Size Listings are a guide to sizes only and must not be solely relied on for critical design information.

Gearheads - Inline - Planetary - Size 115 - Adapted

Part Number	Ratio	Motor Shaft Diameter mm	Config. / Output Shaft	Bolt Circle (D) mm	Motor Shaft Length mm	Cont. Torque at 1000/4000 rpm N.m	Bracket Size (A/E) mm	Length without Bracket (L) mm	Bracket Height (B) mm
		<i>inches</i>		<i>inches</i>	<i>inches</i>		<i>inches</i>	<i>inches</i>	<i>inches</i>
# GHIP115-100-19.00x145	100 : 1	19.000	Double Stage / 24mm	145.000	36 to 65	114 / 95 (1009 / 841 lb.in)	178.9 / 110.4	119.0	59.9
		<i>0.748</i>		<i>5.709</i>				<i>4.685</i>	<i>2.358</i>
# GHIP115-100-19.00x126	100 : 1	19.000	Double Stage / 24mm	126.000	25.1 to 53.8	114 / 95 (1009 / 841 lb.in)	167.9 / 80.4	119.0	48.9
		<i>0.748</i>		<i>4.961</i>				<i>4.685</i>	<i>1.925</i>
# GHIP115-100-22.00x100	100 : 1	22.000	Double Stage / 24mm	100.000	25.1 to 53.8	114 / 95 (1009 / 841 lb.in)	167.9 / 80.4	119.0	48.9
		<i>0.866</i>		<i>3.937</i>				<i>4.685</i>	<i>1.925</i>
# GHIP115-100-22.00x165	100 : 1	22.000	Double Stage / 24mm	165.000	36 to 65	114 / 95 (1009 / 841 lb.in)	178.9 / 130.4	119.0	59.9
		<i>0.866</i>		<i>6.496</i>				<i>4.685</i>	<i>2.358</i>
# GHIP115-100-22.00x126	100 : 1	22.000	Double Stage / 24mm	126.000	25.1 to 53.8	114 / 95 (1009 / 841 lb.in)	167.9 / 80.4	119.0	48.9
		<i>0.866</i>		<i>4.961</i>				<i>4.685</i>	<i>1.925</i>
# GHIP115-100-22.00x145	100 : 1	22.000	Double Stage / 24mm	145.000	36 to 65	114 / 95 (1009 / 841 lb.in)	178.9 / 110.4	119.0	59.9
		<i>0.866</i>		<i>5.709</i>				<i>4.685</i>	<i>2.358</i>
# GHIP115-100-24.00x100	100 : 1	24.000	Double Stage / 24mm	100.000	25.1 to 53.8	114 / 95 (1009 / 841 lb.in)	167.9 / 80.4	119.0	48.9
		<i>0.945</i>		<i>3.937</i>				<i>4.685</i>	<i>1.925</i>
# GHIP115-100-24.00x126	100 : 1	24.000	Double Stage / 24mm	126.000	25.1 to 53.8	114 / 95 (1009 / 841 lb.in)	167.9 / 80.4	119.0	48.9
		<i>0.945</i>		<i>4.961</i>				<i>4.685</i>	<i>1.925</i>

Indicates item not stocked at time of printing - Please enquire for lead time

E&OE Pricing and all details subject to change without notice - Copyright Miniature Bearings Australia Pty Ltd

MBA Size Listings are a guide to sizes only and must not be solely relied on for critical design information.

Gearheads - Inline - Planetary - Size 115 - Adapted

Part Number	Ratio	Motor Shaft Diameter mm	Config. / Output Shaft	Bolt Circle (D) mm	Motor Shaft Length mm	Cont. Torque at 1000/4000 rpm N.m	Bracket Size (A/E) mm	Length without Bracket (L) mm	Bracket Height (B) mm
		<i>inches</i>		<i>inches</i>	<i>inches</i>		<i>inches</i>	<i>inches</i>	<i>inches</i>
# GHIP115-100-24.00x165	100 : 1	24.000	Double Stage / 24mm	165.000	36 to 65	114 / 95 (1009 / 841 lb.in)	178.9 / 130.4	119.0	59.9
		<i>0.945</i>		<i>6.496</i>				<i>4.685</i>	<i>2.358</i>
# GHIP115-100-24.00x145	100 : 1	24.000	Double Stage / 24mm	145.000	36 to 65	114 / 95 (1009 / 841 lb.in)	178.9 / 110.4	119.0	59.9
		<i>0.945</i>		<i>5.709</i>				<i>4.685</i>	<i>2.358</i>
# GHIP115-100-25.40x165	100 : 1	25.400	Double Stage / 24mm	165.000	36 to 65	114 / 95 (1009 / 841 lb.in)	178.9 / 130.4	119.0	59.9
		<i>1.000</i>		<i>6.496</i>				<i>4.685</i>	<i>2.358</i>
# GHIP115-100-25.40x145	100 : 1	25.400	Double Stage / 24mm	145.000	36 to 65	114 / 95 (1009 / 841 lb.in)	178.9 / 110.4	119.0	59.9
		<i>1.000</i>		<i>5.709</i>				<i>4.685</i>	<i>2.358</i>
# GHIP115-100-25.40x126	100 : 1	25.400	Double Stage / 24mm	126.000	25.1 to 53.8	114 / 95 (1009 / 841 lb.in)	167.9 / 80.4	119.0	48.9
		<i>1.000</i>		<i>4.961</i>				<i>4.685</i>	<i>1.925</i>
# GHIP115-100-25.40x100	100 : 1	25.400	Double Stage / 24mm	100.000	25.1 to 53.8	114 / 95 (1009 / 841 lb.in)	167.9 / 80.4	119.0	48.9
		<i>1.000</i>		<i>3.937</i>				<i>4.685</i>	<i>1.925</i>

Indicates item not stocked at time of printing - Please enquire for lead time

E&OE Pricing and all details subject to change without notice - Copyright Miniature Bearings Australia Pty Ltd

MBA Size Listings are a guide to sizes only and must not be solely relied on for critical design information.



DISTRIBUTED BY

Ask us to put your name and address here

<http://www.minibearings.com.au/product>

Ph +61 7 3245 7977

Fax +61 7 3245 1017

Catalogue requests to catalogues@minibearings.com.au

