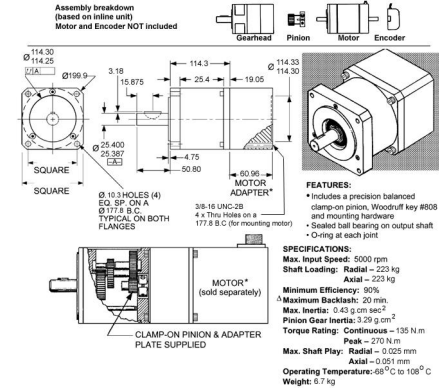




# MBA

## Gearheads - Inline - Spur Gear - Size 56



Use with NEMA Size 56 Motors.

Steel Housing - Aluminium Flanges - Stainless Steel Heat Treated Gears - Ball Bearings.

Double Stage / Max 5000 RPM Input Speed.

Continuous Torque 135 N.m (1200 lb.in) / Peak Torque 270 N.m (2400 lb.in).

Min Efficiency 90% / Max. Backlash 20 min.

This catalogue to be read in conjunction with information at  
[http://www.minibearings.com.au/ogue/tech/gearheads/Nema\\_Sizes.pdf](http://www.minibearings.com.au/ogue/tech/gearheads/Nema_Sizes.pdf)  
[http://www.minibearings.com.au/ogue/tech/gearheads/Gear\\_Types.pdf](http://www.minibearings.com.au/ogue/tech/gearheads/Gear_Types.pdf)

## Gearheads - Inline - Spur Gear - Size 56

Part Number	Ratio	Shaft (Input / Output) mm	Size (L x W) mm
		<i>inches</i>	<i>inches</i>
# GHIS56-003	3 : 1	28.575 / 25.400	114.3 x 146.05
# GHIS56-005	5 : 1	28.575 / 25.400	114.3 x 146.05
# GHIS56-010	10 : 1	28.575 / 25.400	114.3 x 146.05
# GHIS56-015	15 : 1	28.575 / 25.400	114.3 x 146.05

# Indicates item not stocked at time of printing - Please enquire for lead time  
 E&OE Pricing and all details subject to change without notice - Copyright Miniature Bearings Australia Pty Ltd  
 MBA Size Listings are a guide to sizes only and must not be solely relied on for critical design information.

## Gearheads - Inline - Spur Gear - Size 56

Part Number	Ratio	Shaft (Input / Output) mm <i>inches</i>	Size (L x W) mm <i>inches</i>
# GHIS56-020	20 : 1	28.575 / 25.400	114.3 x 146.05
# GHIS56-030	30 : 1	28.575 / 25.400	114.3 x 146.05
# GHIS56-050	50 : 1	28.575 / 25.400	114.3 x 146.05
# GHIS56-100	100 : 1	28.575 / 25.400	114.3 x 146.05

# Indicates item not stocked at time of printing - Please enquire for lead time

E&OE Pricing and all details subject to change without notice - Copyright Miniature Bearings Australia Pty Ltd

MBA Size Listings are a guide to sizes only and must not be solely relied on for critical design information.



DISTRIBUTED BY

Ask us to put your name and address here

<http://www.minibearings.com.au/product>

Ph +61 7 3245 7977

Fax +61 7 3245 1017

Catalogue requests to [catalogues@minibearings.com.au](mailto:catalogues@minibearings.com.au)
