



MBA

Gearheads - Right Angle - Planetary - Size 23 - Precision

Use with NEMA Size 23 Motors.

Maximum input speed 5000 rpm.

Shaft loading 154.9 kg (347 lbs) radial and 153.5 kg (344 lbs) axial.

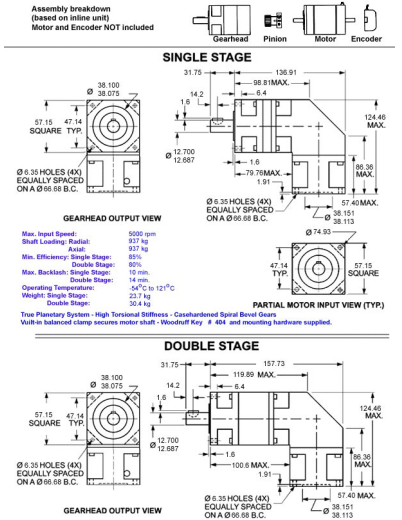
Min. Efficiency ---- Single Stage : 85%, Double Stage : 80%.

Max Backlash ---- Single Stage : 14 arc min, Double Stage : 18 arc min.

Operating Temperature : -54 to 121 Deg C (-65 to 250 Deg F).

This catalogue to be read in conjunction with information at http://www.minibearings.com.au/ogue/tech/gearheads/Nema_Sizes.pdf

http://www.minibearings.com.au/ogue/tech/gearheads/Gear_Types.pdf



Gearheads - Right Angle - Planetary - Size 23 - Precision

Part Number	Ratio	Motor Shaft Diameter mm	Config. / Output Shaft	Bolt Circle mm	Max. Motor Shaft Length mm	Torque (Cont. / Peak) N.m	Unit Width / Pilot Dia. (A/E) mm	Length (L) mm
		<i>inches</i>		<i>inches</i>	<i>inches</i>		<i>inches</i>	<i>inches</i>
# GHRP23-004-06.35x067P	4 : 1	6.35	Single Stage / 12.70	66.68	20.57	Under Review	57.15 / 38.10	136.91
		<i>0.250</i>		<i>2.625</i>	<i>0.810</i>			<i>5.390</i>
# GHRP23-006-06.35x067P	5.5 : 1	6.35	Single Stage / 12.70	66.68	20.57	Under Review	57.15 / 38.10	136.91
		<i>0.250</i>		<i>2.625</i>	<i>0.810</i>			<i>5.390</i>

Indicates item not stocked at time of printing - Please enquire for lead time

E&OE Pricing and all details subject to change without notice - Copyright Miniature Bearings Australia Pty Ltd

MBA Size Listings are a guide to sizes only and must not be solely relied on for critical design information.

Gearheads - Right Angle - Planetary - Size 23 - Precision

Part Number	Ratio	Motor Shaft Diameter mm	Config. / Output Shaft	Bolt Circle mm	Max. Motor Shaft Length mm	Torque (Cont. / Peak) N.m	Unit Width / Pilot Dia. (A/E) mm	Length (L) mm
		<i>inches</i>		<i>inches</i>	<i>inches</i>		<i>inches</i>	<i>inches</i>
# GHRP23-007-06.35x067P	7 : 1	6.35	Single Stage / 12.70	66.68	20.57	Under Review	57.15 / 38.10	136.91
		<i>0.250</i>		<i>2.625</i>	<i>0.810</i>			<i>5.390</i>
# GHRP23-010-06.35x067P	10 : 1	6.35	Single Stage / 12.70	66.68	20.57	Under Review	57.15 / 38.10	136.91
		<i>0.250</i>		<i>2.625</i>	<i>0.810</i>			<i>5.390</i>
# GHRP23-016-06.35x067P	16 : 1	6.35	Double Stage / 12.70	66.68	20.57	Under Review	57.15 / 38.10	157.73
		<i>0.250</i>		<i>2.625</i>	<i>0.810</i>			<i>6.210</i>
# GHRP23-022-06.35x067P	22 : 1	6.35	Double Stage / 12.70	66.68	20.57	Under Review	57.15 / 38.10	157.73
		<i>0.250</i>		<i>2.625</i>	<i>0.810</i>			<i>6.210</i>
# GHRP23-028-06.35x067P	28 : 1	6.35	Double Stage / 12.70	66.68	20.57	Under Review	57.15 / 38.10	157.73
		<i>0.250</i>		<i>2.625</i>	<i>0.810</i>			<i>6.210</i>
# GHRP23-040-06.35x067P	40 : 1	6.35	Double Stage / 12.70	66.68	20.57	Under Review	57.15 / 38.10	157.73
		<i>0.250</i>		<i>2.625</i>	<i>0.810</i>			<i>6.210</i>
# GHRP23-049-06.35x067P	49 : 1	6.35	Double Stage / 12.70	66.68	20.57	Under Review	57.15 / 38.10	157.73
		<i>0.250</i>		<i>2.625</i>	<i>0.810</i>			<i>6.210</i>
# GHRP23-055-06.35x067P	55 : 1	6.35	Double Stage / 12.70	66.68	20.57	Under Review	57.15 / 38.10	157.73
		<i>0.250</i>		<i>2.625</i>	<i>0.810</i>			<i>6.210</i>

Indicates item not stocked at time of printing - Please enquire for lead time

E&OE Pricing and all details subject to change without notice - Copyright Miniature Bearings Australia Pty Ltd

MBA Size Listings are a guide to sizes only and must not be solely relied on for critical design information.

Gearheads - Right Angle - Planetary - Size 23 - Precision

Part Number	Ratio	Motor Shaft Diameter mm	Config. / Output Shaft	Bolt Circle mm	Max. Motor Shaft Length mm	Torque (Cont. / Peak) N.m	Unit Width / Pilot Dia. (A/E) mm	Length (L) mm
		<i>inches</i>		<i>inches</i>	<i>inches</i>		<i>inches</i>	<i>inches</i>
# GHRP23-070-06.35x067P	70 : 1	6.35	Double Stage / 12.70	66.68	20.57	Under Review	57.15 / 38.10	157.73
		<i>0.250</i>		<i>2.625</i>	<i>0.810</i>			<i>6.210</i>
# GHRP23-100-06.35x067P	100 : 1	6.35	Double Stage / 12.70	66.68	20.57	Under Review	57.15 / 38.10	157.73
		<i>0.250</i>		<i>2.625</i>	<i>0.810</i>			<i>6.210</i>

Indicates item not stocked at time of printing - Please enquire for lead time

E&OE Pricing and all details subject to change without notice - Copyright Miniature Bearings Australia Pty Ltd

MBA Size Listings are a guide to sizes only and must not be solely relied on for critical design information.



DISTRIBUTED BY

Ask us to put your name and address here

<http://www.minibearings.com.au/product>

Ph +61 7 3245 7977

Fax +61 7 3245 1017

Catalogue requests to catalogues@minibearings.com.au
