



# MBA

## Gearheads - Right Angle - Planetary - Size 56 - Economy

Use with NEMA Size 56 Motors.

Maximum input speed 4000 rpm.

Shaft loading 276 kg (620 lbs) radial and 276 kg (620 lbs) axial.

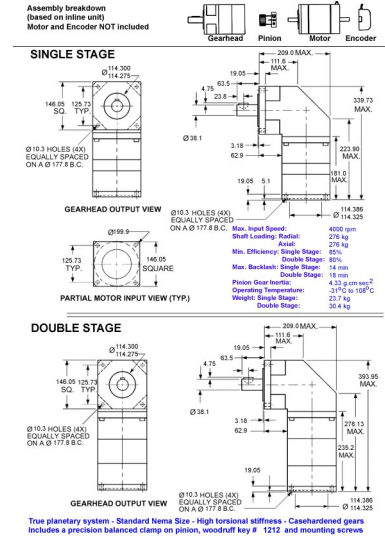
Min. Efficiency ---- Single Stage : 85%, Double Stage : 80%.

Max Backlash ---- Single Stage : 14 arc min, Double Stage : 18 arc min.

Operating Temperature : -54 to 121 Deg C (-65 to 250 Deg F).

This catalogue to be read in conjunction with information at [http://www.minibearings.com.au/ogue/tech/gearheads/Nema\\_Sizes.pdf](http://www.minibearings.com.au/ogue/tech/gearheads/Nema_Sizes.pdf)

[http://www.minibearings.com.au/ogue/tech/gearheads/Gear\\_Types.pdf](http://www.minibearings.com.au/ogue/tech/gearheads/Gear_Types.pdf)



## Gearheads - Right Angle - Planetary - Size 56 - Economy

Part Number	Ratio	Motor Shaft Diameter mm	Config. / Output Shaft	Bolt Circle mm	Max. Motor Shaft Length mm	Torque (Cont. / Peak) N.m	Width / Pilot Dia. (A/E) mm	Length (L) mm
		<i>inches</i>		<i>inches</i>	<i>inches</i>		<i>inches</i>	<i>inches</i>
# GHRP56-003-28.58x178E	3 : 1	28.575	Single Stage / 38.10	177.80	60.3	Under Review	146.05 / 114.30	339.73
		<i>1.125</i>		<i>7.000</i>	<i>2.374</i>			<i>13.375</i>
# GHRP56-004-28.58x178E	4 : 1	28.575	Single Stage / 38.10	177.80	60.3	Under Review	146.05 / 114.30	339.73
		<i>1.125</i>		<i>7.000</i>	<i>2.374</i>			<i>13.375</i>

# Indicates item not stocked at time of printing - Please enquire for lead time

E&OE Pricing and all details subject to change without notice - Copyright Miniature Bearings Australia Pty Ltd

MBA Size Listings are a guide to sizes only and must not be solely relied on for critical design information.

## Gearheads - Right Angle - Planetary - Size 56 - Economy

Part Number	Ratio	Motor Shaft Diameter mm	Config. / Output Shaft	Bolt Circle mm	Max. Motor Shaft Length mm	Torque (Cont. / Peak) N.m	Width / Pilot Dia. (A/E) mm	Length (L) mm
		<i>inches</i>		<i>inches</i>	<i>inches</i>		<i>inches</i>	<i>inches</i>
# GHRP56-005-5-28.58x178E	5.5 : 1	28.575	Single Stage / 38.10	177.80	60.3	Under Review	146.05 / 114.30	339.73
		<i>1.125</i>		<i>7.000</i>	<i>2.374</i>			<i>13.375</i>
# GHRP56-007-28.58x178E	7 : 1	28.575	Single Stage / 38.10	177.80	60.3	Under Review	146.05 / 114.30	339.73
		<i>1.125</i>		<i>7.000</i>	<i>2.374</i>			<i>13.375</i>
# GHRP56-010-28.58x178E	10 : 1	28.575	Single Stage / 38.10	177.80	60.3	Under Review	146.05 / 114.30	339.73
		<i>1.125</i>		<i>7.000</i>	<i>2.374</i>			<i>13.375</i>
# GHRP56-016-28.58x178E	16 : 1	28.575	Double Stage / 38.10	177.80	60.3	Under Review	146.05 / 114.30	393.95
		<i>1.125</i>		<i>7.000</i>	<i>2.374</i>			<i>15.510</i>
# GHRP56-022-28.58x178E	22 : 1	28.575	Double Stage / 38.10	177.80	60.3	Under Review	146.05 / 114.30	393.95
		<i>1.125</i>		<i>7.000</i>	<i>2.374</i>			<i>15.510</i>
# GHRP56-028-28.58x178E	28 : 1	28.575	Double Stage / 38.10	177.80	60.3	Under Review	146.05 / 114.30	393.95
		<i>1.125</i>		<i>7.000</i>	<i>2.374</i>			<i>15.510</i>
# GHRP56-040-28.58x178E	40 : 1	28.575	Double Stage / 38.10	177.80	60.3	Under Review	146.05 / 114.30	393.95
		<i>1.125</i>		<i>7.000</i>	<i>2.374</i>			<i>15.510</i>
# GHRP56-049-28.58x178E	49 : 1	28.575	Double Stage / 38.10	177.80	60.3	Under Review	146.05 / 114.30	393.95
		<i>1.125</i>		<i>7.000</i>	<i>2.374</i>			<i>15.510</i>

# Indicates item not stocked at time of printing - Please enquire for lead time

E&OE Pricing and all details subject to change without notice - Copyright Miniature Bearings Australia Pty Ltd

MBA Size Listings are a guide to sizes only and must not be solely relied on for critical design information.

## Gearheads - Right Angle - Planetary - Size 56 - Economy

Part Number	Ratio	Motor Shaft Diameter mm	Config. / Output Shaft	Bolt Circle mm	Max. Motor Shaft Length mm	Torque (Cont. / Peak) N.m	Width / Pilot Dia. (A/E) mm	Length (L) mm
		<i>inches</i>		<i>inches</i>	<i>inches</i>		<i>inches</i>	<i>inches</i>
# GHRP56-055-28.58x178E	55 : 1	28.575	Double Stage / 38.10	177.80	60.3	Under Review	146.05 / 114.30	393.95
		<i>1.125</i>		<i>7.000</i>	<i>2.374</i>			<i>15.510</i>
# GHRP56-070-28.58x178E	70 : 1	28.575	Double Stage / 38.10	177.80	60.3	Under Review	146.05 / 114.30	393.95
		<i>1.125</i>		<i>7.000</i>	<i>2.374</i>			<i>15.510</i>
# GHRP56-100-28.58x178E	100 : 1	28.575	Double Stage / 38.10	177.80	60.3	Under Review	146.05 / 114.30	393.95
		<i>1.125</i>		<i>7.000</i>	<i>2.374</i>			<i>15.510</i>

# Indicates item not stocked at time of printing - Please enquire for lead time

E&OE Pricing and all details subject to change without notice - Copyright Miniature Bearings Australia Pty Ltd

MBA Size Listings are a guide to sizes only and must not be solely relied on for critical design information.



DISTRIBUTED BY

Ask us to put your name and address here

<http://www.minibearings.com.au/product>

Ph +61 7 3245 7977

Fax +61 7 3245 1017

Catalogue requests to [catalogues@minibearings.com.au](mailto:catalogues@minibearings.com.au)

