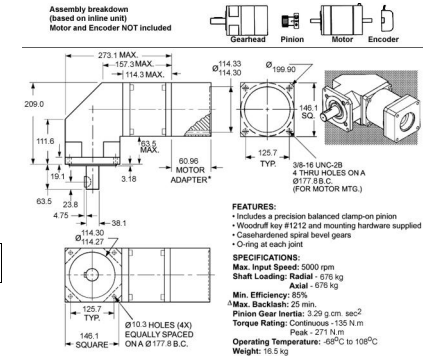




MBA

Gearheads - Right Angle - Spur Gear - Size 56



Use with NEMA Size 56 Motors.

Maximum input speed 5000 rpm.

Shaft loading 276 kg (620 lbs) radial and 276 kg (620 lbs) axial.

Min. Efficiency ---- Single Stage : 85%.

Max Backlash : 25 arc min.

Operating Temperature : -54 to 121 Deg C (-65 to 250 Deg F).

This catalogue to be read in conjunction with information at http://www.minibearings.com.au/ogue/tech/gearheads/Nema_Sizes.pdf

http://www.minibearings.com.au/ogue/tech/gearheads/Gear_Types.pdf

Gearheads - Right Angle - Spur Gear - Size 56

Part Number	Ratio	Motor Shaft Diameter mm	Config. / Output Shaft	Bolt Circle (D) mm	Motor Shaft Length mm	Torque (Cont. / Peak) N.m	Unit Width / Pilot Dia. (A/E) mm	Length (L) mm
		<i>inches</i>		<i>inches</i>	<i>inches</i>		<i>inches</i>	<i>inches</i>
# GHRS56-003-28.58x178	3 : 1	28.575	Single Stage / 38.10	177.80	60.325	135.6 / 271.2	146.05 / 208.79	114.30 / 273.05
		<i>1.125</i>		<i>7.000</i>	<i>2.375</i>			
# GHRS56-005-28.58x178	5 : 1	28.575	Single Stage / 38.10	177.80	60.325	135.6 / 271.2	146.05 / 208.79	114.30 / 273.05
		<i>1.125</i>		<i>7.000</i>	<i>2.375</i>			

Indicates item not stocked at time of printing - Please enquire for lead time
 E&OE Pricing and all details subject to change without notice - Copyright Miniature Bearings Australia Pty Ltd
 MBA Size Listings are a guide to sizes only and must not be solely relied on for critical design information.

Gearheads - Right Angle - Spur Gear - Size 56

Part Number	Ratio	Motor Shaft Diameter mm	Config. / Output Shaft	Bolt Circle (D) mm	Motor Shaft Length mm	Torque (Cont. / Peak) N.m	Unit Width / Pilot Dia. (A/E) mm	Length (L) mm
		<i>inches</i>		<i>inches</i>	<i>inches</i>		<i>inches</i>	<i>inches</i>
# GHRS56-010-28.58x178	10 : 1	28.575	Single Stage / 38.10	177.80	60.325	135.6 / 271.2	146.05 / 208.79	114.30 / 273.05
		<i>1.125</i>		<i>7.000</i>	<i>2.375</i>			
# GHRS56-015-28.58x178	15 : 1	28.575	Single Stage / 38.10	177.80	60.325	135.6 / 271.2	146.05 / 208.79	114.30 / 273.05
		<i>1.125</i>		<i>7.000</i>	<i>2.375</i>			
# GHRS56-025-28.58x178	25 : 1	28.575	Single Stage / 38.10	177.80	60.325	135.6 / 271.2	146.05 / 208.79	114.30 / 273.05
		<i>1.125</i>		<i>7.000</i>	<i>2.375</i>			
# GHRS56-040-28.58x178	40 : 1	28.575	Single Stage / 38.10	177.80	60.325	135.6 / 271.2	146.05 / 208.79	114.30 / 273.05
		<i>1.125</i>		<i>7.000</i>	<i>2.375</i>			

Indicates item not stocked at time of printing - Please enquire for lead time

E&OE Pricing and all details subject to change without notice - Copyright Miniature Bearings Australia Pty Ltd

MBA Size Listings are a guide to sizes only and must not be solely relied on for critical design information.



DISTRIBUTED BY

Ask us to put your name and address here

<http://www.minibearings.com.au/product>

Ph +61 7 3245 7977

Fax +61 7 3245 1017

Catalogue requests to catalogues@minibearings.com.au
