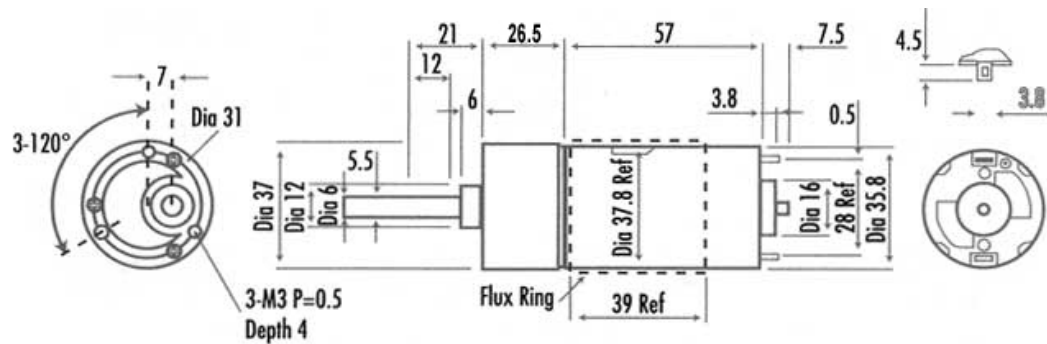




# MBA

**Gearmotors - DC - Size 37/350**  
**Low Cost**

37mm Gearhead Body Diameter. Low cost. 160 RPM Output Speed. One model only. Reversible.



## Gearmotors - DC - Size 37/350 Low Cost

Part Number	Rated Output Speed RPM	Rated Torque Kg.cm	Overall Body Length mm	Gear Ratio	Rated Voltage V	Operating Voltage V	Output Shaft Diameter mm	No Load Current mA	Full Load Current mA
			<i>inches</i>				<i>inches</i>		
YG2738	140	50.0 at 55 RPM	83.5 <i>3.287</i>	50:1	12.0	6.0 to 12 Max	6.0 <i>0.236</i>	<450	14000

# Indicates item not stocked at time of printing - Please enquire for lead time  
 E&OE Pricing and all details subject to change without notice - Copyright Miniature Bearings Australia Pty Ltd  
 MBA Size Listings are a guide to sizes only and must not be solely relied on for critical design information.



DISTRIBUTED BY

Ask us to put your name and address here

<http://www.minibearings.com.au/product>

Ph +61 7 3245 7977

Fax +61 7 3245 1017

Catalogue requests to [catalogues@minibearings.com.au](mailto:catalogues@minibearings.com.au)

