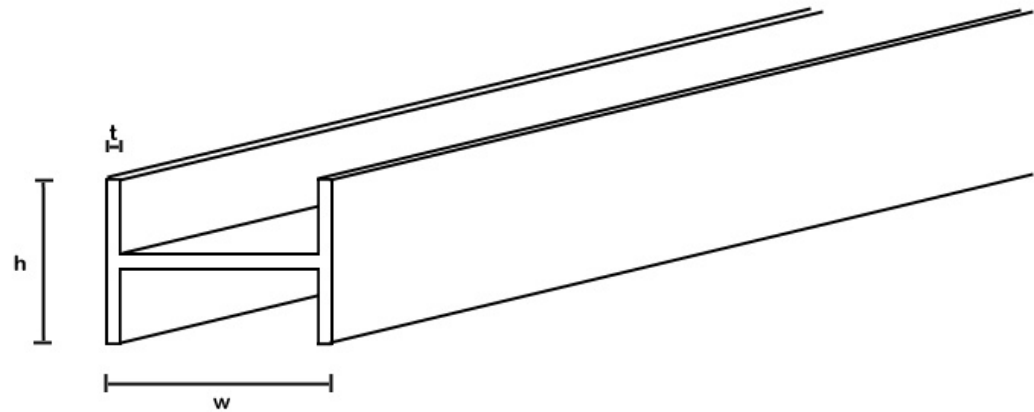


MBA

H Section - Carbon Fibre

High impact light weight carbon fibre for modelling.
Pultruded carbon fibre with a smooth epoxy coated finish



H Section - Carbon Fibre

Part Number	Height (h) mm	Width (w) mm	Thickness (t) mm	Length mm	Approx. Weight g
	<i>inches</i>	<i>inches</i>	<i>inches</i>	<i>inches</i>	
BARHCF-1300-0800x1000	13.00	8.00	1.00	1000	41.0
	<i>0.512</i>	<i>0.315</i>	<i>0.039</i>	<i>39.370</i>	



DISTRIBUTED BY

Ask us to put your name and address here

<http://www.minibearings.com.au/product>

Ph +61 7 3245 7977

Fax +61 7 3245 1017

Catalogue requests to catalogues@minibearings.com.au

