



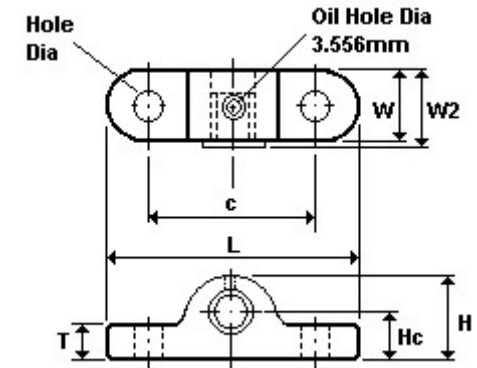
MBA

Housings - Bearing - Blocks - Die Cast

Zinc Die Cast Housings with or without Sintered Bronze Bearings.

Lubricable.

With or without standard sintered bronze bearings.



Housings - Bearing - Blocks - Die Cast

Part Number	Bore Diameter (+0.10/+0.05) mm	Length (L) mm	Bolt Hole Centres (c) mm	Width (W) mm	Overall Width (W2) mm	Height (H) mm	Centre Height (Hc) mm	Foot Height (T) mm	Bolt Hole Diameter mm	Sintered Bearing Type
# BBF-4.000-ZD	4.000 <i>0.157</i>	56.400 <i>2.220</i>	38.000 <i>1.496</i>	19.000 <i>0.748</i>	20.500 <i>0.807</i>	20.800 <i>0.819</i>	11.100 <i>0.437</i>	6.000 <i>0.236</i>	4.500 <i>0.177</i>	Flanged
# BBF-4.762-ZD	4.763 <i>0.188</i>	56.356 <i>2.219</i>	38.100 <i>1.500</i>	19.050 <i>0.750</i>	20.638 <i>0.813</i>	20.638 <i>0.813</i>	11.113 <i>0.438</i>	4.762 <i>0.187</i>	4.762 <i>0.187</i>	Flanged
# BBP-4.762-ZD	4.763 <i>0.188</i>	56.356 <i>2.219</i>	38.100 <i>1.500</i>	19.050 <i>0.750</i>		20.638 <i>0.813</i>	11.113 <i>0.438</i>	4.762 <i>0.187</i>	4.762 <i>0.187</i>	Plain
# BBF-5.000-ZD	5.000 <i>0.197</i>	56.400 <i>2.220</i>	38.000 <i>1.496</i>	19.000 <i>0.748</i>	20.500 <i>0.807</i>	20.800 <i>0.819</i>	11.100 <i>0.437</i>	6.000 <i>0.236</i>	4.500 <i>0.177</i>	Flanged

Indicates item not stocked at time of printing - Please enquire for lead time

E&OE Pricing and all details subject to change without notice - Copyright Miniature Bearings Australia Pty Ltd

MBA Size Listings are a guide to sizes only and must not be solely relied on for critical design information.

Housings - Bearing - Blocks - Die Cast

Part Number	Bore Diameter (+0.10/+0.05) mm	Length (L) mm	Bolt Hole Centres (c) mm	Width (W) mm	Overall Width (W2) mm	Height (H) mm	Centre Height (Hc) mm	Foot Height (T) mm	Bolt Hole Diameter mm	Sintered Bearing Type
# BBF-6.000-ZD	6.000 <i>0.236</i>	56.400 <i>2.220</i>	38.000 <i>1.496</i>	19.000 <i>0.748</i>	20.500 <i>0.807</i>	20.800 <i>0.819</i>	11.100 <i>0.437</i>	6.000 <i>0.236</i>	4.500 <i>0.177</i>	Flanged
BBP-6.350-ZD	6.350 <i>0.250</i>	56.356 <i>2.219</i>	38.100 <i>1.500</i>	19.050 <i>0.750</i>		20.638 <i>0.813</i>	11.113 <i>0.438</i>	4.762 <i>0.187</i>	4.762 <i>0.187</i>	Plain
# BBF-6.350-ZD	6.350 <i>0.250</i>	56.356 <i>2.219</i>	38.100 <i>1.500</i>	19.050 <i>0.750</i>	20.638 <i>0.813</i>	20.638 <i>0.813</i>	11.113 <i>0.438</i>	4.762 <i>0.187</i>	4.762 <i>0.187</i>	Flanged
# BBF-7.000-ZD	7.000 <i>0.276</i>	56.400 <i>2.220</i>	38.000 <i>1.496</i>	19.000 <i>0.748</i>	20.500 <i>0.807</i>	20.800 <i>0.819</i>	11.100 <i>0.437</i>	6.000 <i>0.236</i>	4.500 <i>0.177</i>	Flanged
# BBF-7.938-ZD	7.938 <i>0.313</i>	56.356 <i>2.219</i>	38.100 <i>1.500</i>	19.050 <i>0.750</i>	20.638 <i>0.813</i>	20.638 <i>0.813</i>	11.113 <i>0.438</i>	4.762 <i>0.187</i>	4.762 <i>0.187</i>	Flanged
# BBP-7.938-ZD	7.938 <i>0.313</i>	56.356 <i>2.219</i>	38.100 <i>1.500</i>	19.050 <i>0.750</i>		20.638 <i>0.813</i>	11.113 <i>0.438</i>	4.762 <i>0.187</i>	4.762 <i>0.187</i>	Plain
# BB-7.938-ZD	7.938 <i>0.313</i>	56.356 <i>2.219</i>	38.100 <i>1.500</i>	19.050 <i>0.750</i>		20.638 <i>0.813</i>	11.113 <i>0.438</i>	4.762 <i>0.187</i>	4.762 <i>0.187</i>	None
BBF-8.000-ZD	8.000 <i>0.315</i>	56.400 <i>2.220</i>	38.000 <i>1.496</i>	19.000 <i>0.748</i>	20.500 <i>0.807</i>	20.800 <i>0.819</i>	11.100 <i>0.437</i>	6.000 <i>0.236</i>	4.500 <i>0.177</i>	Flanged
BB-8.000-ZD	8.000 <i>0.315</i>	56.400 <i>2.220</i>	38.000 <i>1.496</i>	19.000 <i>0.748</i>		20.800 <i>0.819</i>	11.100 <i>0.437</i>	6.000 <i>0.236</i>	4.500 <i>0.177</i>	None
# BBP-9.525-ZD	9.525 <i>0.375</i>	56.356 <i>2.219</i>	38.100 <i>1.500</i>	19.050 <i>0.750</i>		20.638 <i>0.813</i>	11.113 <i>0.438</i>	4.762 <i>0.187</i>	4.762 <i>0.187</i>	Plain

Indicates item not stocked at time of printing - Please enquire for lead time

E&OE Pricing and all details subject to change without notice - Copyright Miniature Bearings Australia Pty Ltd

MBA Size Listings are a guide to sizes only and must not be solely relied on for critical design information.

Housings - Bearing - Blocks - Die Cast

Part Number	Bore Diameter (+0.10/+0.05) mm	Length (L) mm	Bolt Hole Centres (c) mm	Width (W) mm	Overall Width (W2) mm	Height (H) mm	Centre Height (Hc) mm	Foot Height (T) mm	Bolt Hole Diameter mm	Sintered Bearing Type
BBF-9.525-ZD	9.525 <i>0.375</i>	56.356 <i>2.219</i>	38.100 <i>1.500</i>	19.050 <i>0.750</i>	20.638 <i>0.813</i>	20.638 <i>0.813</i>	11.113 <i>0.438</i>	4.762 <i>0.187</i>	4.762 <i>0.187</i>	Flanged
BB-9.525-ZD	9.525 <i>0.375</i>	56.356 <i>2.219</i>	38.100 <i>1.500</i>	19.050 <i>0.750</i>		20.638 <i>0.813</i>	11.113 <i>0.438</i>	4.762 <i>0.187</i>	4.762 <i>0.187</i>	None
# BB-10.000-ZD	10.000 <i>0.394</i>	56.400 <i>2.220</i>	38.000 <i>1.496</i>	19.000 <i>0.748</i>		20.800 <i>0.819</i>	11.100 <i>0.437</i>	6.000 <i>0.236</i>	4.500 <i>0.177</i>	None
# BB-12.000-ZD	12.000 <i>0.472</i>	56.400 <i>2.220</i>	38.000 <i>1.496</i>	19.000 <i>0.748</i>		20.800 <i>0.819</i>	11.100 <i>0.437</i>	6.000 <i>0.236</i>	4.500 <i>0.177</i>	None
# BB-12.700-ZD	12.700 <i>0.500</i>	56.356 <i>2.219</i>	38.100 <i>1.500</i>	19.050 <i>0.750</i>		20.638 <i>0.813</i>	11.113 <i>0.438</i>	4.762 <i>0.187</i>	4.762 <i>0.187</i>	None

Indicates item not stocked at time of printing - Please enquire for lead time

E&OE Pricing and all details subject to change without notice - Copyright Miniature Bearings Australia Pty Ltd

MBA Size Listings are a guide to sizes only and must not be solely relied on for critical design information.



DISTRIBUTED BY

Ask us to put your name and address here

<http://www.minibearings.com.au/product>

Ph +61 7 3245 7977

Fax +61 7 3245 1017

Catalogue requests to catalogues@minibearings.com.au

